



TCBBx2, TCBTx2



Construction

Axial fan in cased version with casing of welded steel sheet and two contrarotating impellers made in die casted aluminium, dynamically balanced according to ISO1940.

Motor

Two 380-415V, 50Hz three-phase alt. two 220-240V, 50Hz single-phase asynchronous motor, thermal protection with outgoing leads to the thermal box. Enclosure IP65, insulation class F. Size 450 and 500 are speed controlled by means of transformer or electric regulator. Special voltage or frequency, improved enclosure and three-phase motors for „Y” resp. „Δ” running can be supplied on request.

Wiring diagram, see page 179.

Technical specification

Type	Speed rpm	Maximum power absorbed kW	Maximum current A	Sound level* dB (A)	Maximum duty m³/h	Weight kg	Article number
TCBBx2/4-450	1370	1,24	5,40	74	6900	42	112 355 450
TCBBx2/4-500	1300	1,70	7,30	76	9400	50	122 355 500
TCBBx2/4-560	1340	3,25	15,50	78	14300	66	122 355 560
TCBBx2/4-630	1280	3,90	19,00	79	18200	80	122 355 630
TCBTx2/4-450	1400	1,25	3,40	74	6900	42	112 356 450
TCBTx2/4-500	1340	1,75	3,60	76	9400	50	112 356 500
TCBTx2/4-560	1360	3,12	5,80	78	14300	66	112 356 560
TCBTx2/4-630	1370	4,20	8,00	79	18200	80	112 356 630

* - inlet

Acoustic characteristic Sound pressure level dB(A)

Type	Working point m³/h	63	125	250	500	1000	2000	4000	8000	Total
450 inlet	6600	46	73	85	82	85	79	72	64	90
	5850	46	73	84	81	83	79	71	64	88
	4300	58	70	80	80	83	79	71	64	87
450 outlet	6600	63	75	86	85	87	82	74	67	92
	5850	53	73	85	84	87	81	74	67	91
	4300	58	70	82	83	86	82	74	67	90
500 inlet	9000	48	78	87	85	87	81	74	67	92
	7500	52	76	85	85	85	80	73	65	90
	6000	60	73	83	82	85	80	73	66	89
500 outlet	9000	65	76	87	88	90	84	77	70	94
	7500	62	75	86	87	88	83	76	69	92
	6000	59	72	86	85	88	83	76	69	92
560 inlet	13720	50	85	87	88	91	85	78	73	95
	10800	57	79	83	86	89	84	78	72	93
	9000	63	79	81	86	89	84	78	72	92
560 outlet	13720	74	86	85	91	94	88	81	75	97
	10800	70	82	84	88	92	87	81	74	95
	9000	74	81	85	89	92	87	81	74	95
630 inlet	17500	51	85	91	89	93	87	80	74	97
	15600	55	85	85	88	91	86	80	73	95
	12000	64	80	84	88	90	86	80	73	94
630 outlet	17500	73	87	88	93	95	89	83	77	99
	15600	71	87	86	91	94	89	83	76	98
	12000	67	84	86	90	94	89	84	76	97

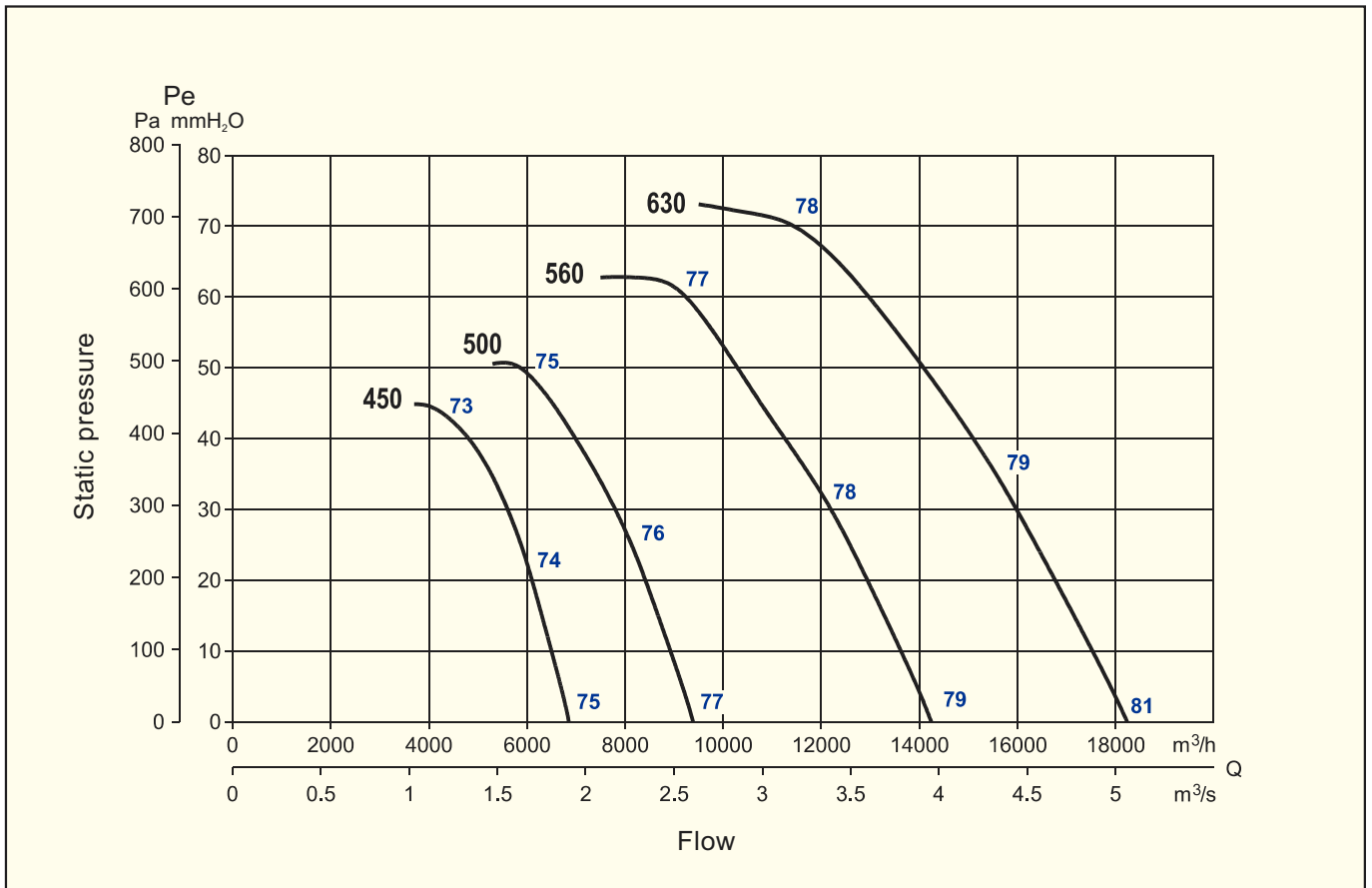
Accessories



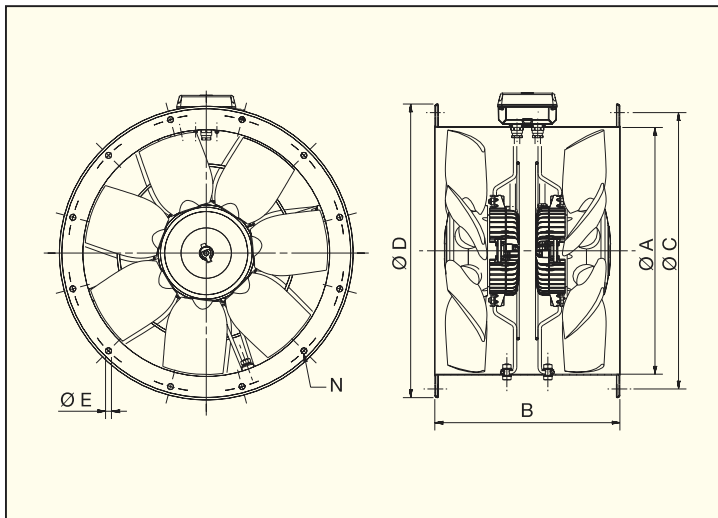
ACOP
page 58



RMB, RMT
page 176



Dimensions in mm



Type	ØA	B	ØC	ØD	ØE	No. of holes N
450	537	375	500	450	12	8
500	595	375	550	500	12	12
560	655	520	620	560	12	12
630	725	520	660	630	12	12