



Construction

Single inlet direct driven centrifugal fan with spiral formed casing in cast aluminium. Impellers with forward curved blades type F in galvanized steel sheet. GSFG is as standard delivered with LG design and wire guard on inlet.

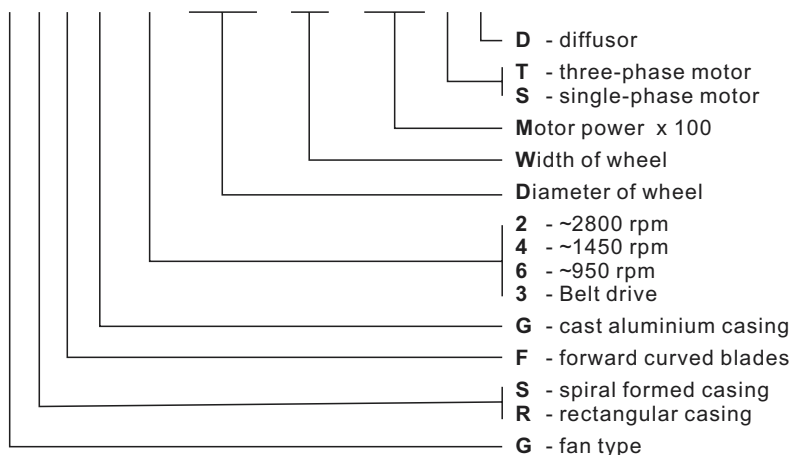
Motor

220-240/380-420V, 50Hz (380-420/660-690V above 3kW) three-phase or 220-240V, 50Hz single-phase asynchronous motor with squirrel cage rotor. Enclosure IP55, insulation class F. Special voltage or frequency, insulation class, improved enclosure IP65, 2-speed motors and explosion proof motor can be supplied on request.

Wiring diagram, see page 179.

Model numbering system

GSFG-2-108/42-030T□

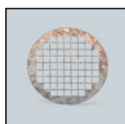


Technical specification

Type	Motor power kW	Voltage V	Maximum current A	Maximum duty m³/h	Pressure (max) Pa	Sound level* dB(A)	Weight kg	Article number
GSFG-2-108/42-005T	0,05	230/400	0,37/0,25	190	330	59	3,5	113 500 120
GSFG-2-108/42-003S	0,03	230	0,40	190	330	59	3,9	113 500 125
GSFG-2-133/62-018T	0,18	230/400	1,07/0,55	600	430	69	6,2	113 500 155
GSFG-2-133/62-018S	0,18	230	1,65	600	430	69	6,6	113 500 157
GSFG-2-146/62-025T	0,25	230/400	1,27/0,8	770	630	70	6,5	113 500 160
GSFG-2-146/62-025S	0,25	230	1,93	770	630	70	6,5	113 500 170
GSFG-2-160/75-037T	0,37	230/400	1,76/1,02	1100	750	71	7,5	113 500 181
GSFG-2-160/75-037S	0,37	230	2,90	1110	750	71	9,0	113 500 191
GSFG-2-180/62-055T	0,55	230/400	2,35/1,35	1280	1050	77	8,0	113 500 201
GSFG-2-180/62-055S	0,55	230	4,00	1280	1050	77	10,0	113 500 211
GSFG-2-200/104-220T	2,20	230/240	8,0/4,6	3100	1370	82	28,0	113 500 230
GSFG-2-225/104-220T	2,20	230/400	8,0/4,6	2800	1800	86	29,0	113 500 500
GSFG-2-225/104-300T	3,00	230/400	11,4/6,5	3600	1800	88	31,0	113 500 510
GSFG-2-250/114-550t	5,50	400	11,60	5800	1950	82	58,0	113 500 600

* - in the middle of the performance curve.

Accessories

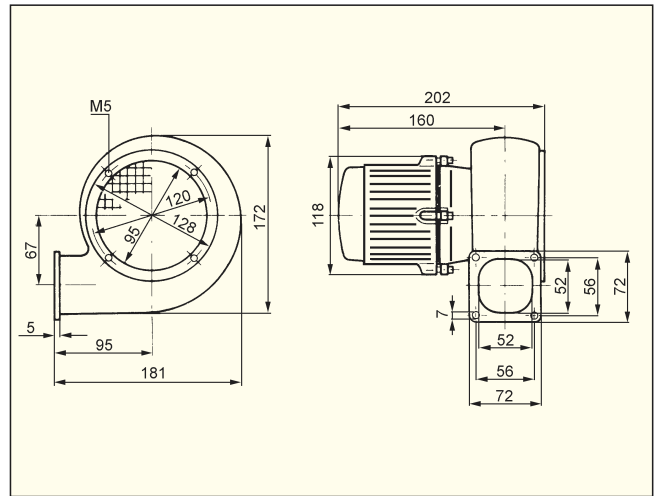
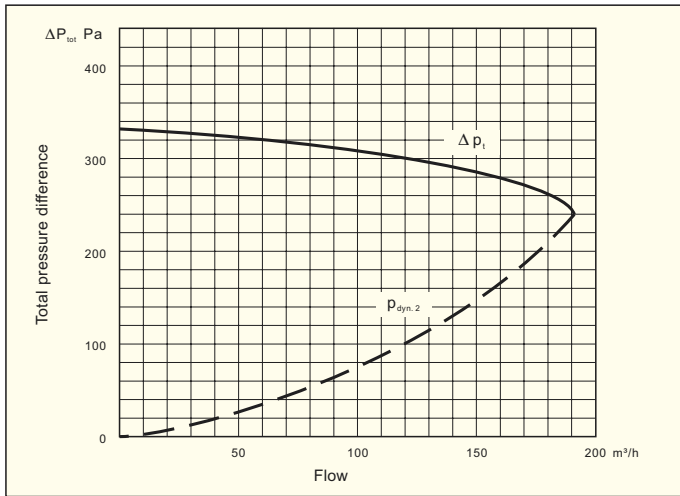


Protection guard inlet

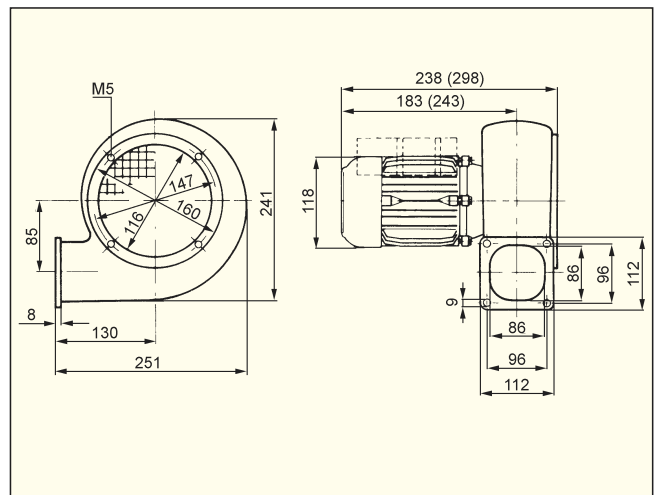
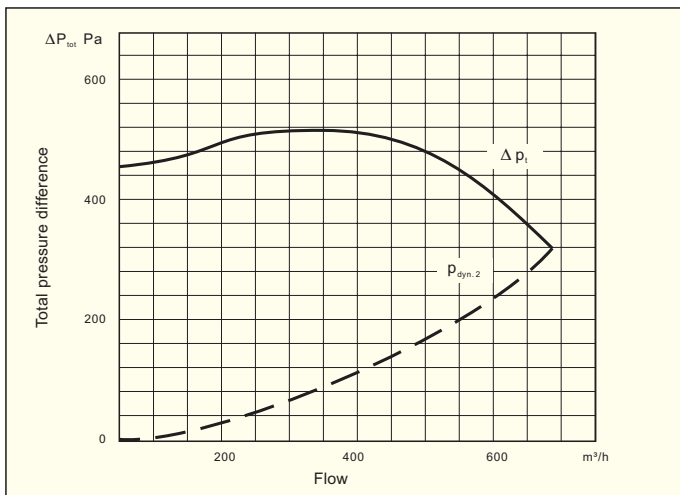


Connector outlet

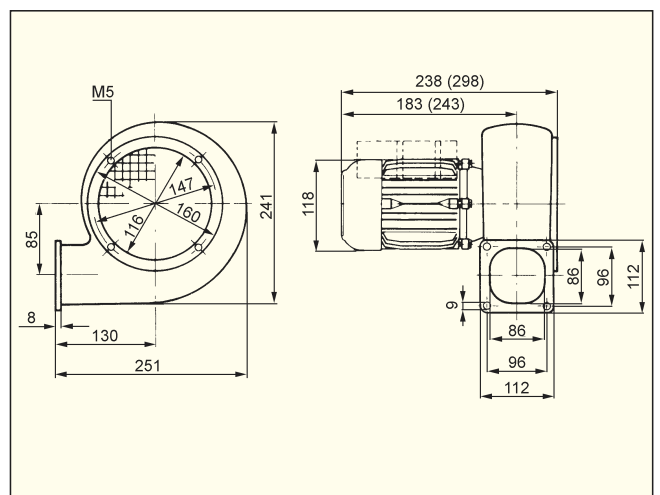
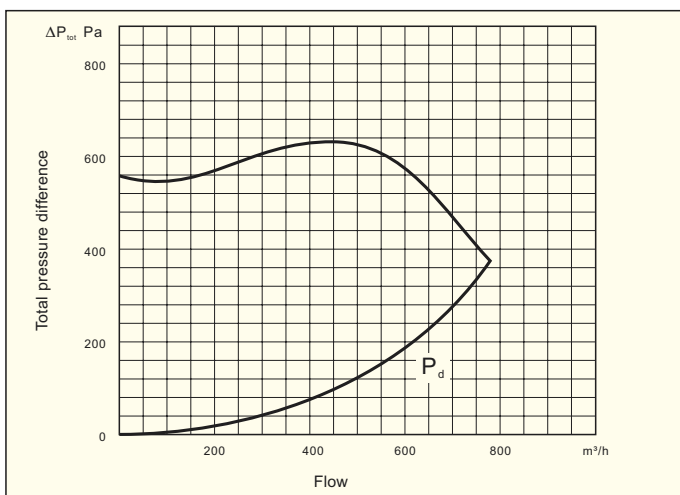
GSGG-2-108/42



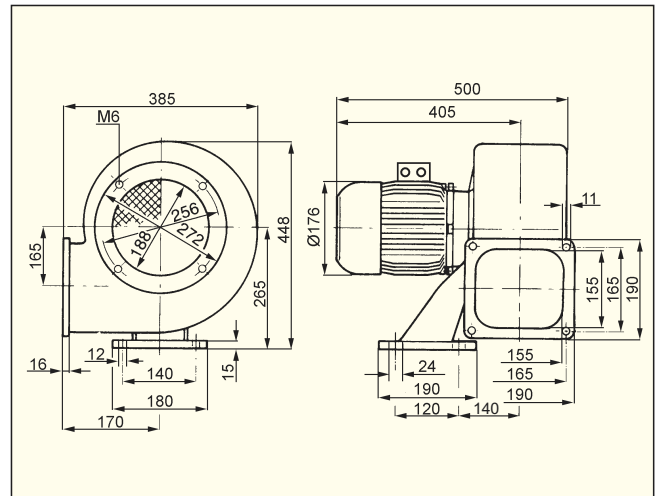
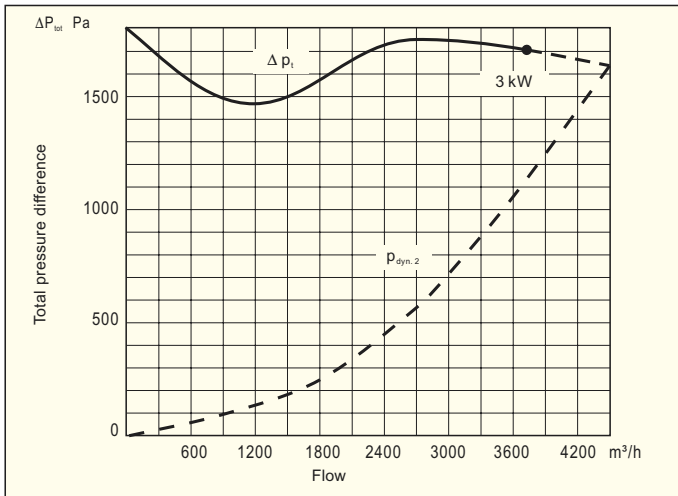
GSGG-2-133/62



GSGG-2-146/62



GSSG-2-225/104



GSSG-2-250/114

