

### Construction

Single inlet, belt driven centrifugal fan with casing in cast aluminium and impeller with backward curved blades (type HPB), backward curved self cleaning blades (typ HPR) or straight radial blades (type HPT) in aluminium sheet. Casing and impeller in other materials for example stainless steel or galvanized steel sheet may be supplied on request.

### Motor

220-240/380-420V, 50Hz (380-420/660-690V above 3kW) three-phase or 220-240V, 50Hz single-phase asynchronous motor with capacitor. Insulation class F, enclosure IP55. Special voltage or frequency, improved enclosure IP65, 2-speed motors and explosion proof motors can be supplied on request. Wiring diagram, see page 179.

### Belt tension

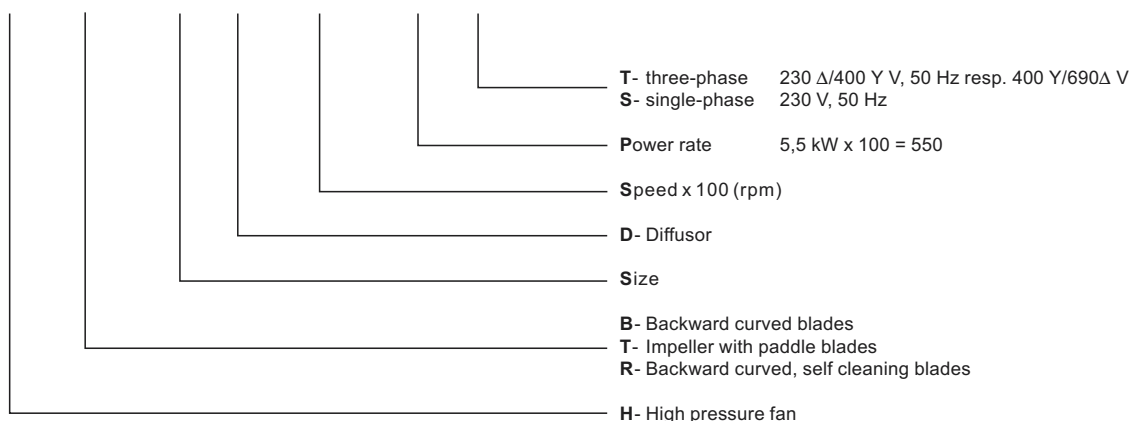
Correct belt tension is very important for lifetime and the power consumption. Measure the distance between the pulleys “C” in m, calculate the necessary inward bending of the belt “f” in mm half-way between the pulleys according to the formula  $f=C \times 16$ . Measure the necessary force “P” that should be applied half-way between the pulleys at the right angle to achieve inward bending “f” of the belt. New belts should be tightened so that the necessary inward bend as far as possible will be equivalent to the higher tabular value P (see table). The recommended belt tension will occur within the first 15 hours.

V-belt profile	Small pulley Ø	P[N]
SPZ	67 - 95	10 - 15
SPZ	100 - 200	15 - 20
SPA	100 - 200	15 - 25

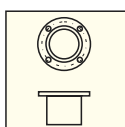
Ex.: The distance between the pulleys C=0,5m, necessary bending  $f=0,5 \times 16=8\text{mm}$ .

### Model numbering system

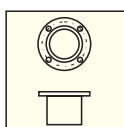
**H P B - 260 D - 49 - 550 T**



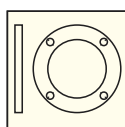
### Accessories



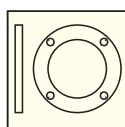
Connector suction side page 149



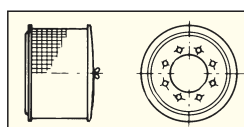
Connector pressure side page 149



Welding flange suction side page 150



Welding flange pressure side page 150

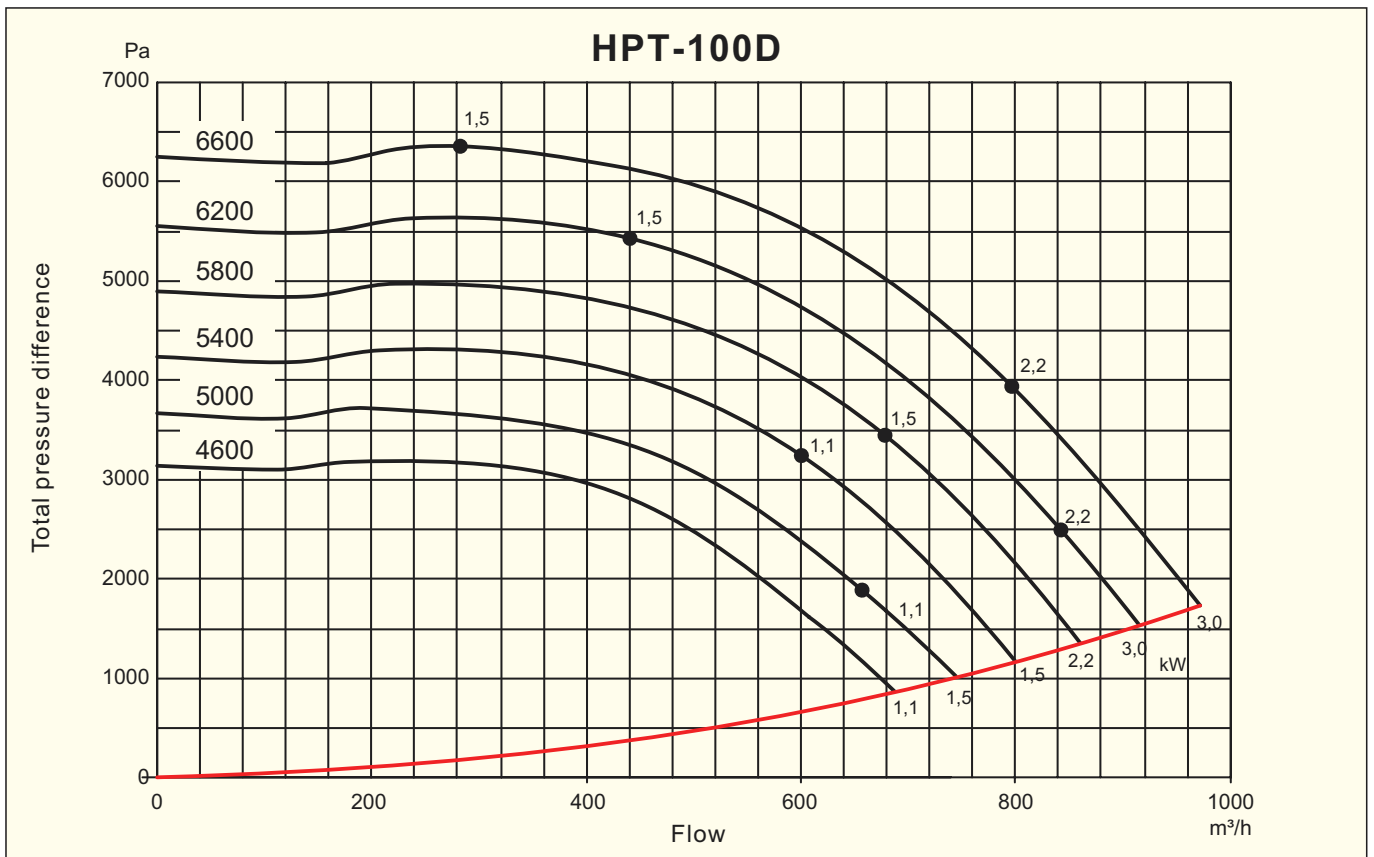
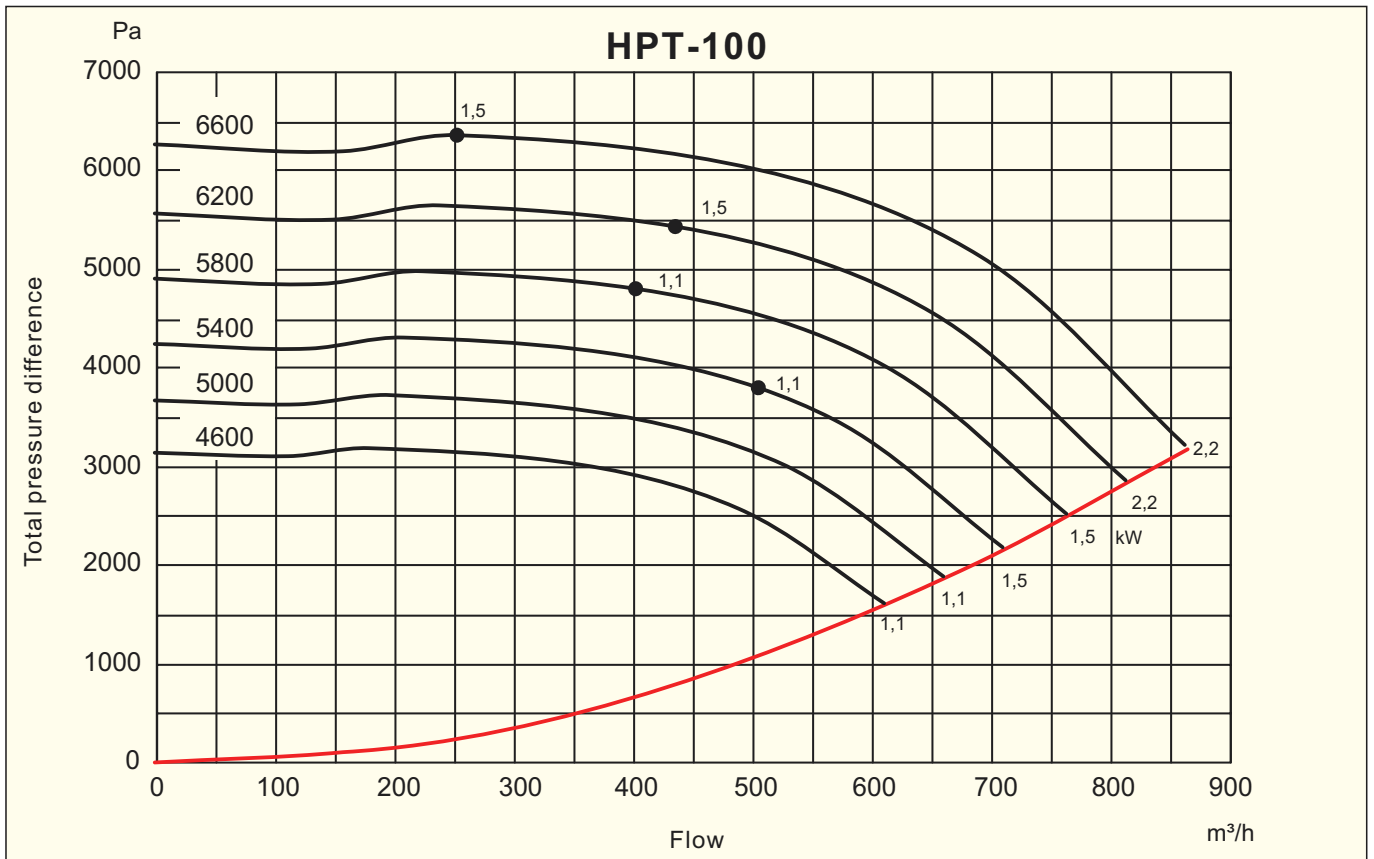


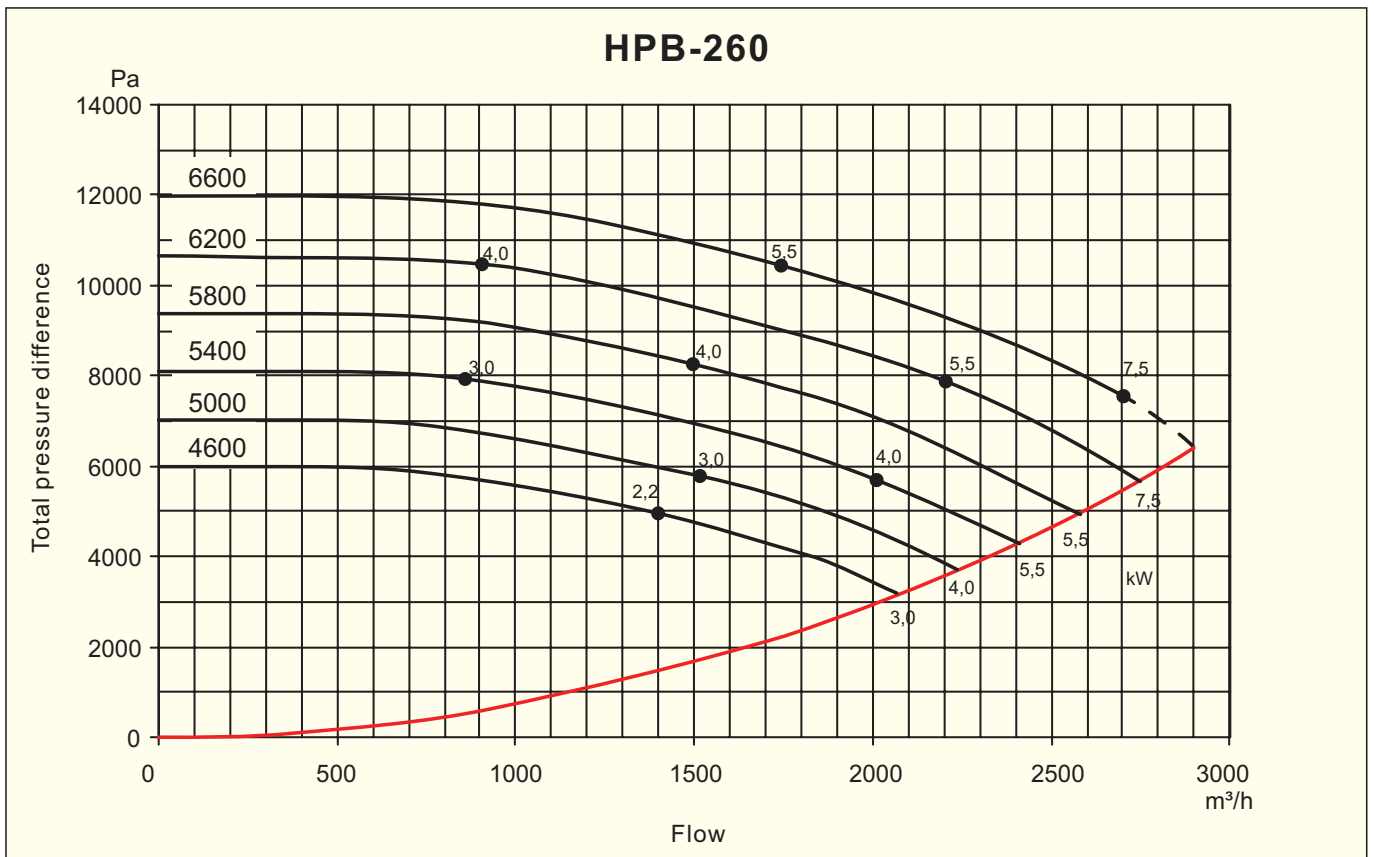
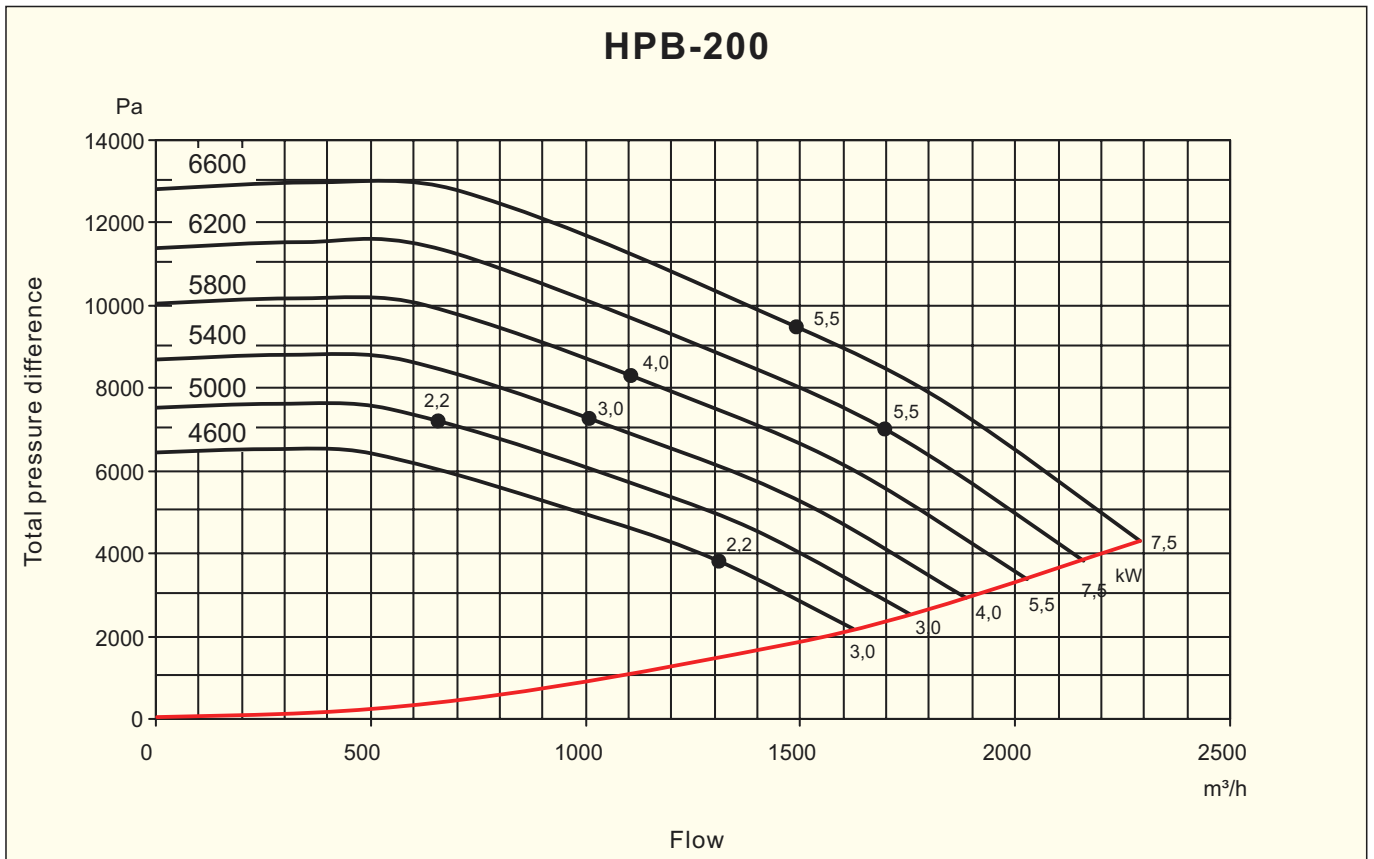
Filter suction side page 150

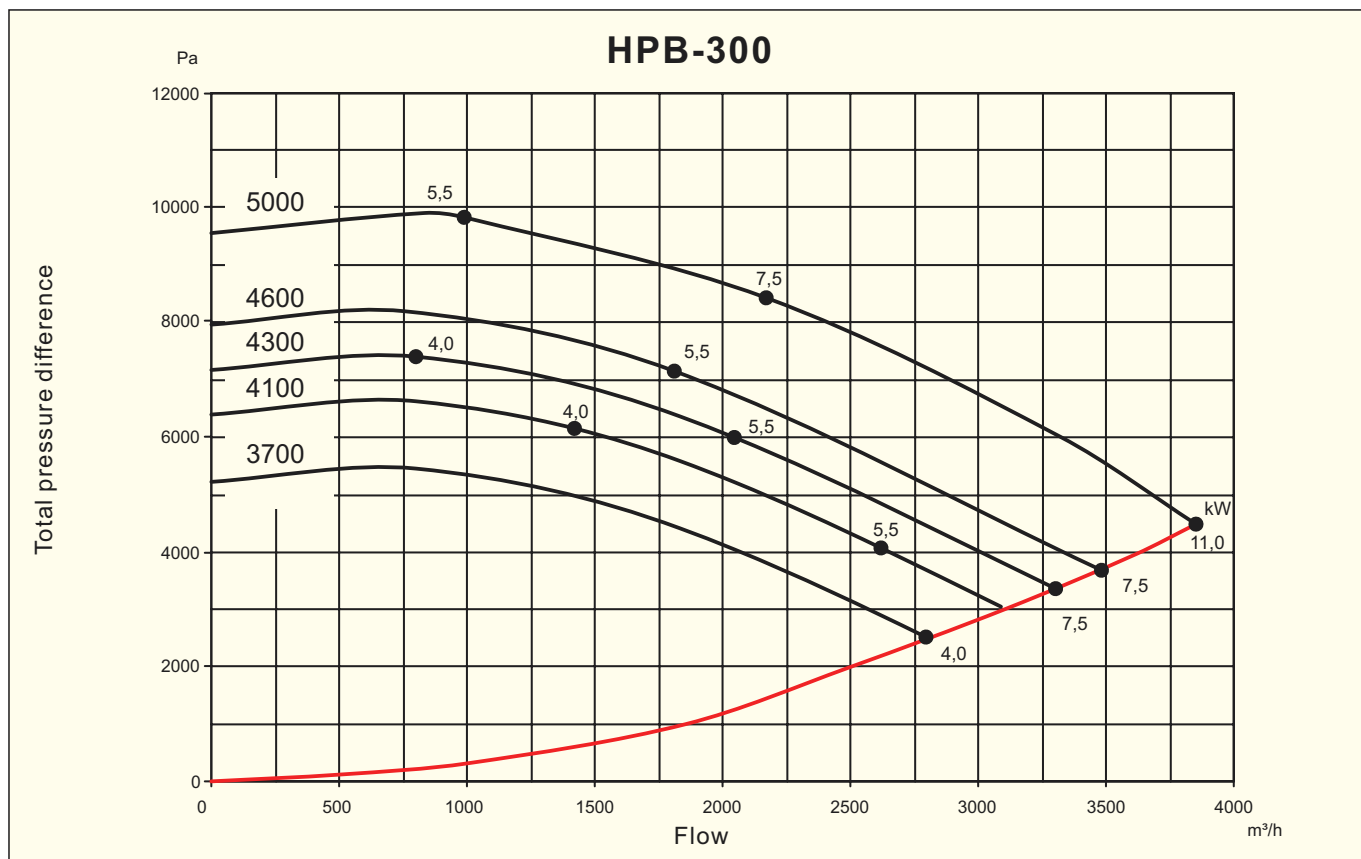
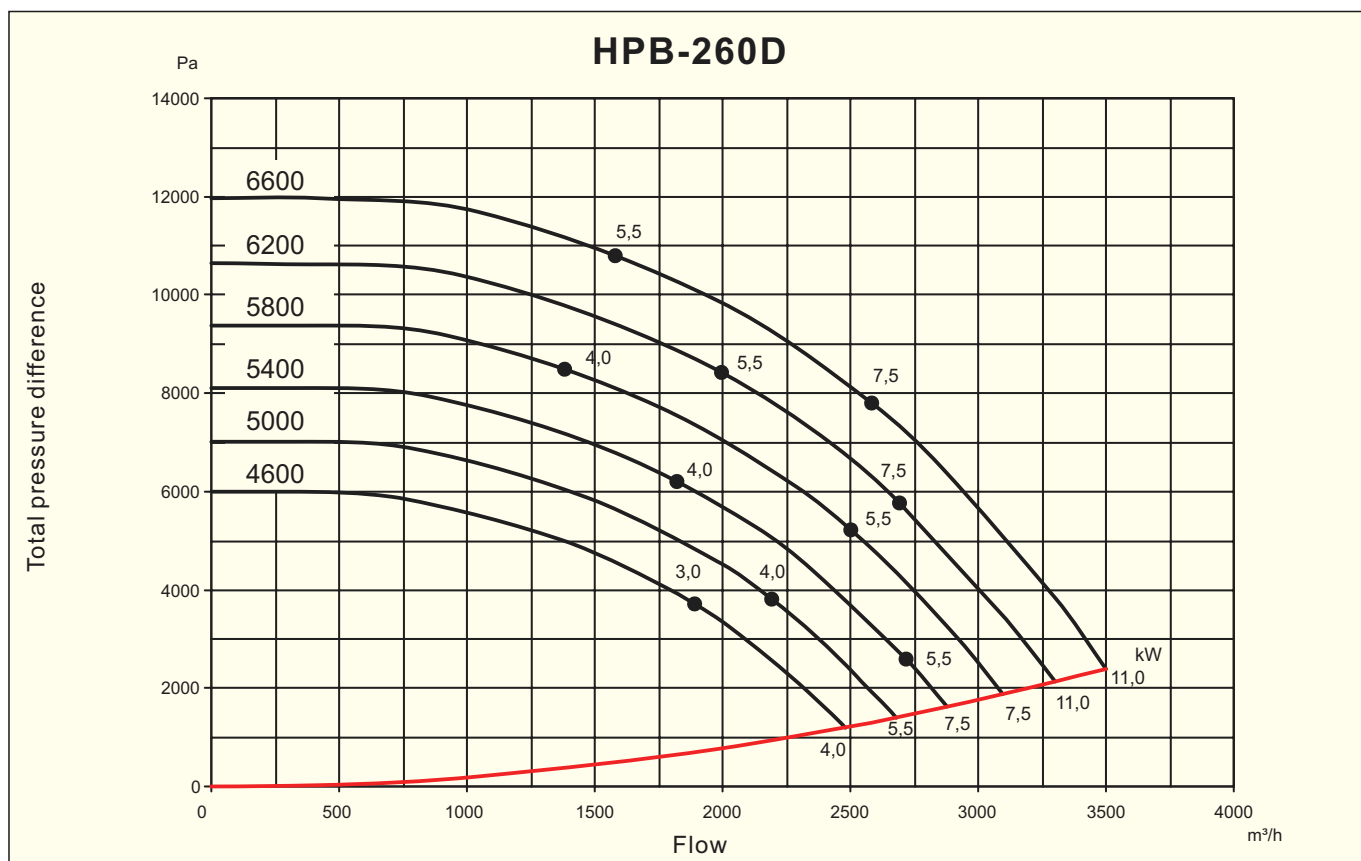
## Technical specification

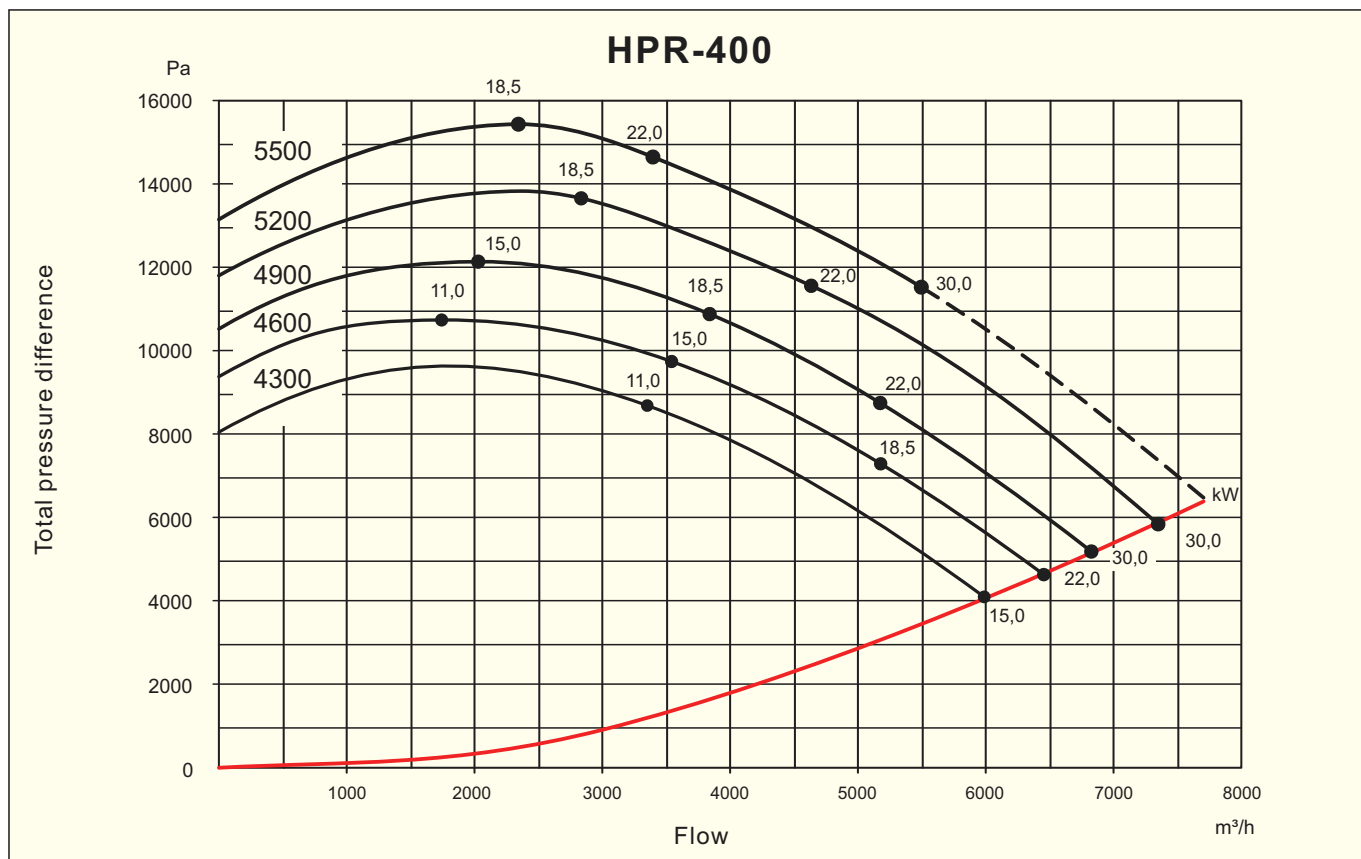
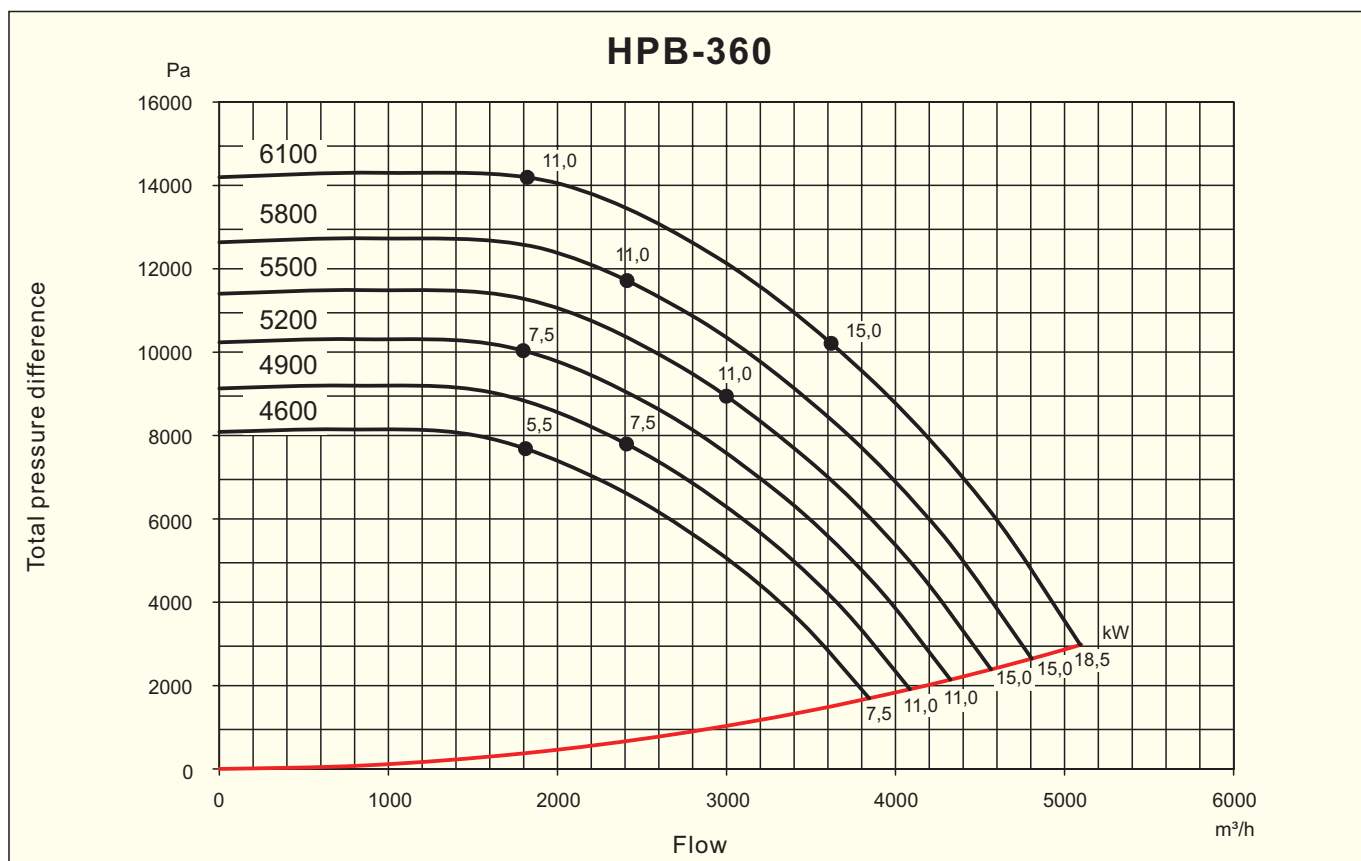
Type	Motor power kW	Voltage V	Maximum current A	Weight kg	Sound level* dB(A)	Article number
HPT-100	1,1	230/400	4,32/2,5	38	88	113 650 100
HPT-100	1,1	230	7,9	39	88	113 650 105
HPT-100	1,5	230/400	5,9/3,4	41	88	113 650 110
HPT-100	1,5	230	8,7	42	88	113 650 115
HPT-100	2,2	230/400	8,3/4,9	45	88	113 650 120
HPT-100	3,0	230/400	10,9/6,1	49	88	113 650 130
HPT-100D	2,2	230/400	8,3/4,9	46	90	113 650 140
HPT-100D	3,0	230/400	10,9/6,1	50	90	113 650 150
HPB-200	2,2	230/400	8,0/4,6	70	88	113 650 180
HPB-200	3,0	230/400	11,3/6,5	74	90	113 650 190
HPB-200	4,0	400/690	7,8 $\Delta$	85	95	113 650 200
HPB-200	5,5	400/690	10,6 $\Delta$	91	97	113 650 210
HPB-260	3,0	230/400	11,3/6,5	74	90	113 650 220
HPB-260	4,0	400/690	7,8 $\Delta$	85	95	113 650 230
HPB-260	5,5	400/690	10,6 $\Delta$	91	97	113 650 240
HPB-260	7,5	400/690	13,7 $\Delta$	93	99	113 650 250
HPB-260D	4,0	400/690	7,8 $\Delta$	86	95	113 650 260
HPB-260D	5,5	400/690	10,6 $\Delta$	92	97	113 650 270
HPB-260D	7,5	400/690	13,7 $\Delta$	94	99	113 650 280
HPB-300	3,0	230/400	11,3/6,5	80	90	113 650 300
HPB-300	4,0	400/690	7,8	90	95	113 650 305
HPB-300	5,5	400/690	10,6	94	97	113 650 310
HPB-300	7,5	400/690	13,7	97	99	113 650 315
HPB-300	11	400/690	21,2	105	100	113 650 320
HPB-360	7,5	400/690	13,7 $\Delta$	139	100	113 650 360
HPB-360	11,0	400/690	21,2 $\Delta$	183	102	113 650 370
HPB-360	15,0	400/690	27,2 $\Delta$	198	105	113 650 380
HPB-360	18,5	400/690	32,0 $\Delta$	213	105	113 650 390
HPR-400	11	400/690	21,2	190	100	113 650 400
HPR-400	15	400/690	27,2	210	102	113 650 410
HPR-400	18,5	400/690	32,0	225	105	113 650 420
HPR-400	22	400/690	40,0	255	105	113 650 430
HPR-400	30	400/690	53,0	320	107	113 650 440

\* - in the middle of the performance curve.

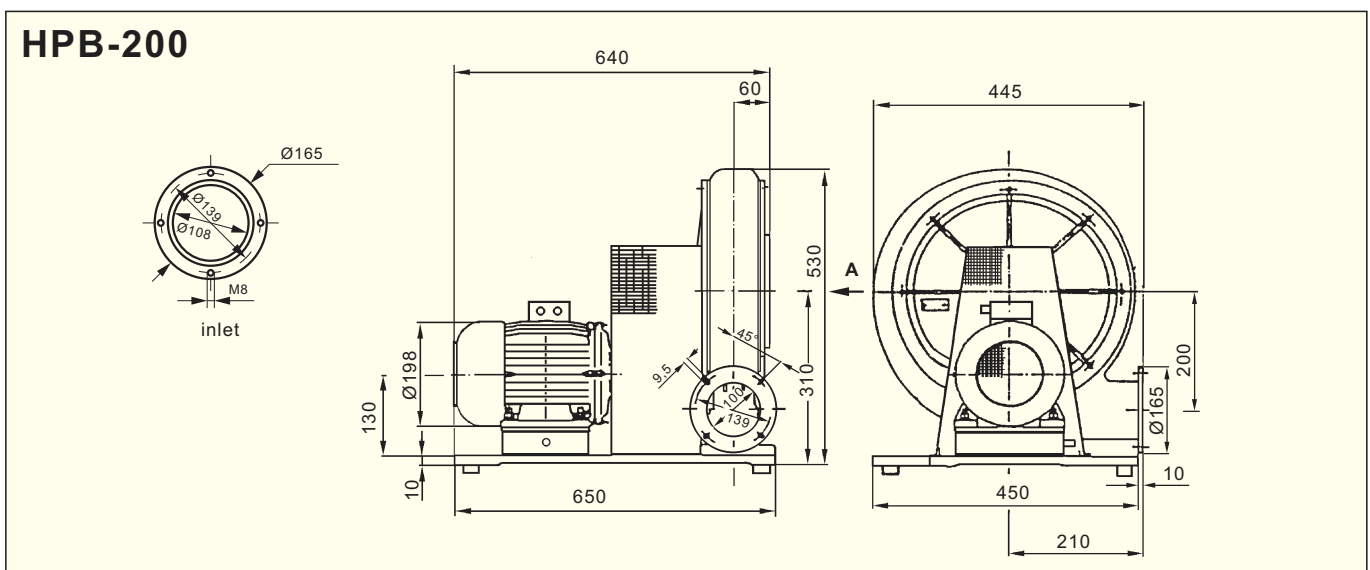
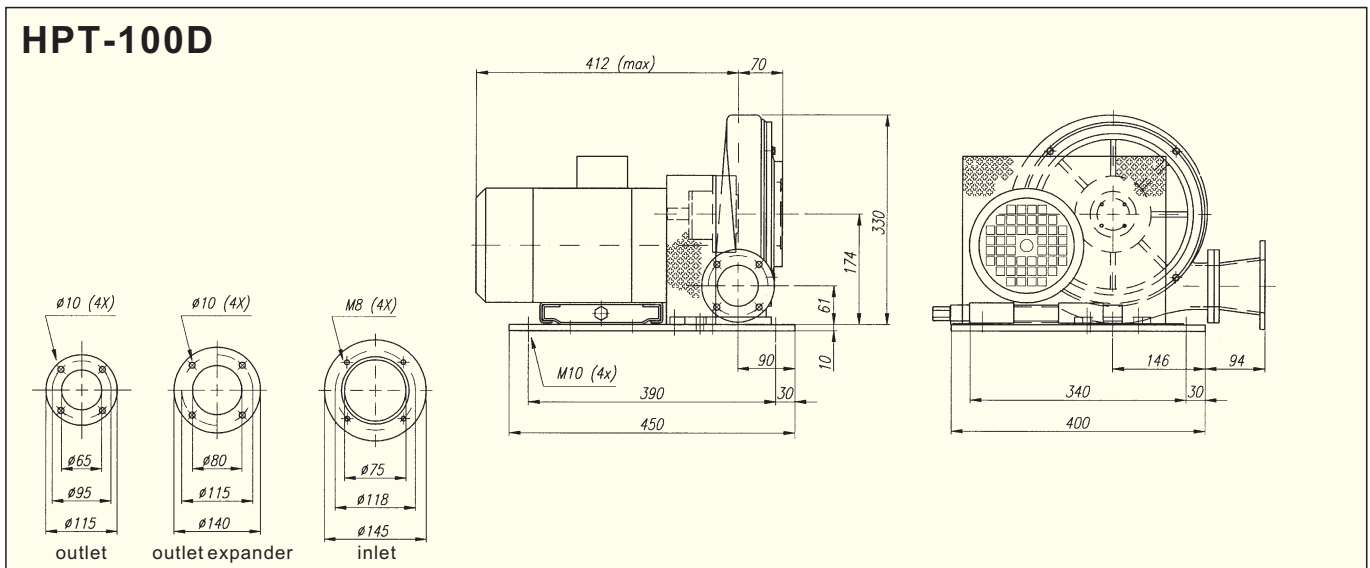
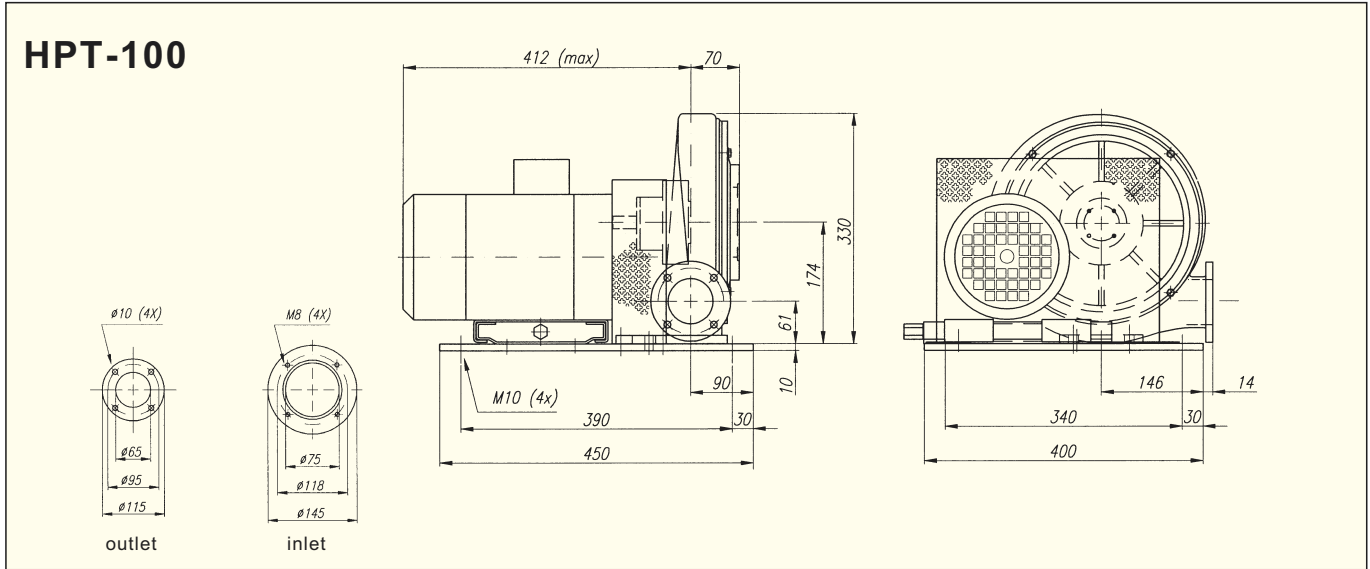




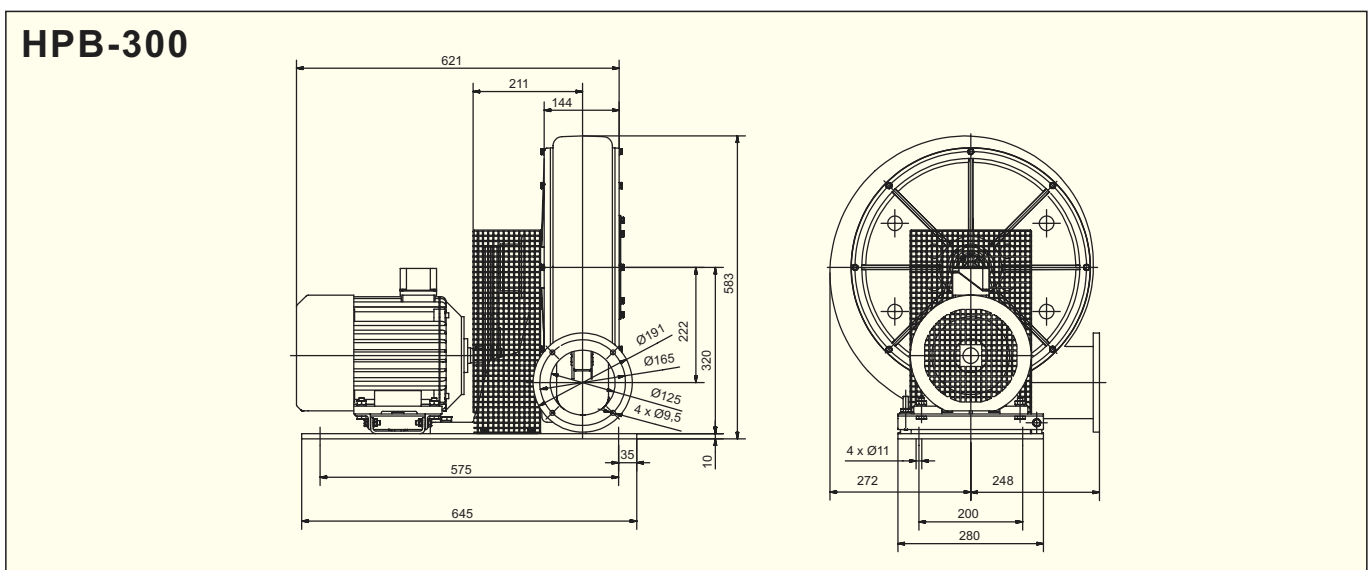
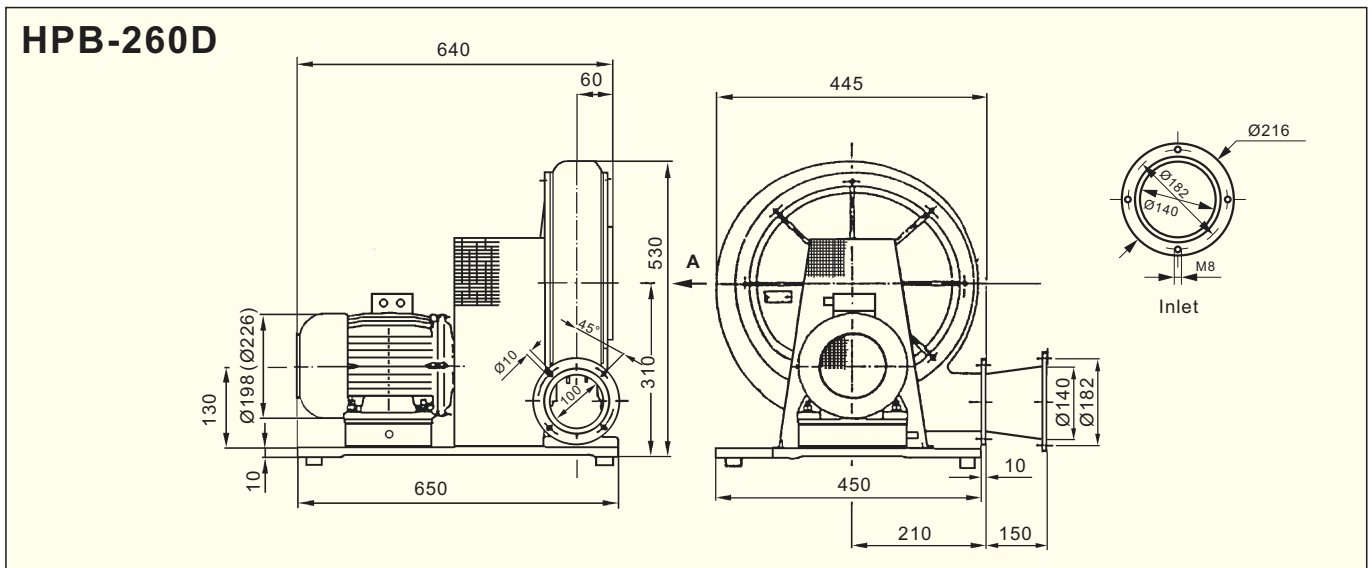
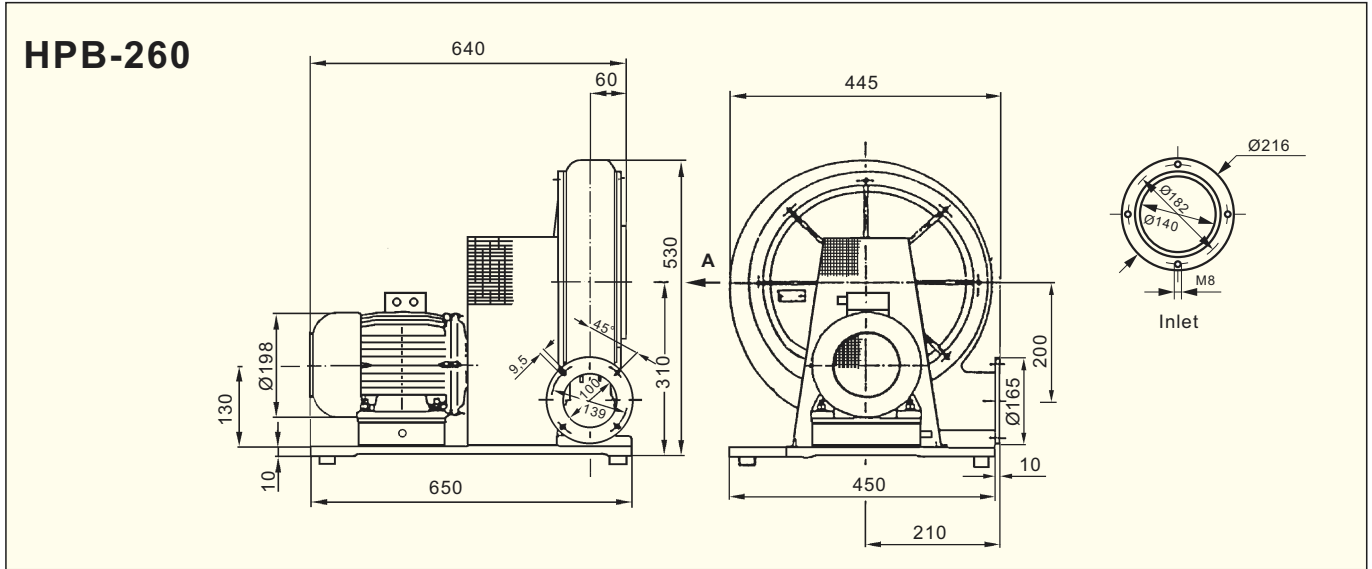




Dimensions in mm

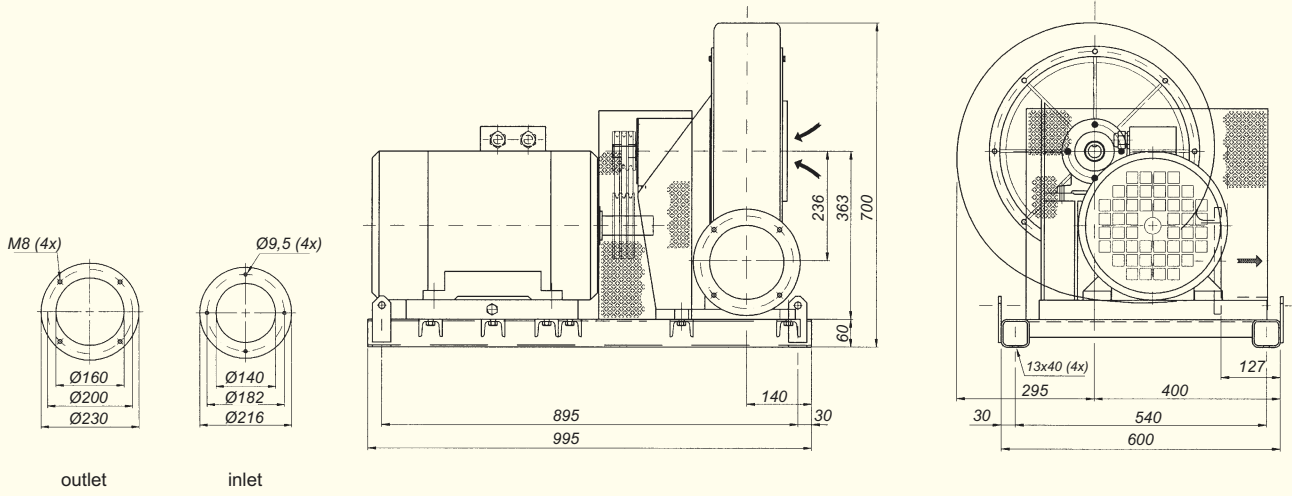


Dimensions in mm

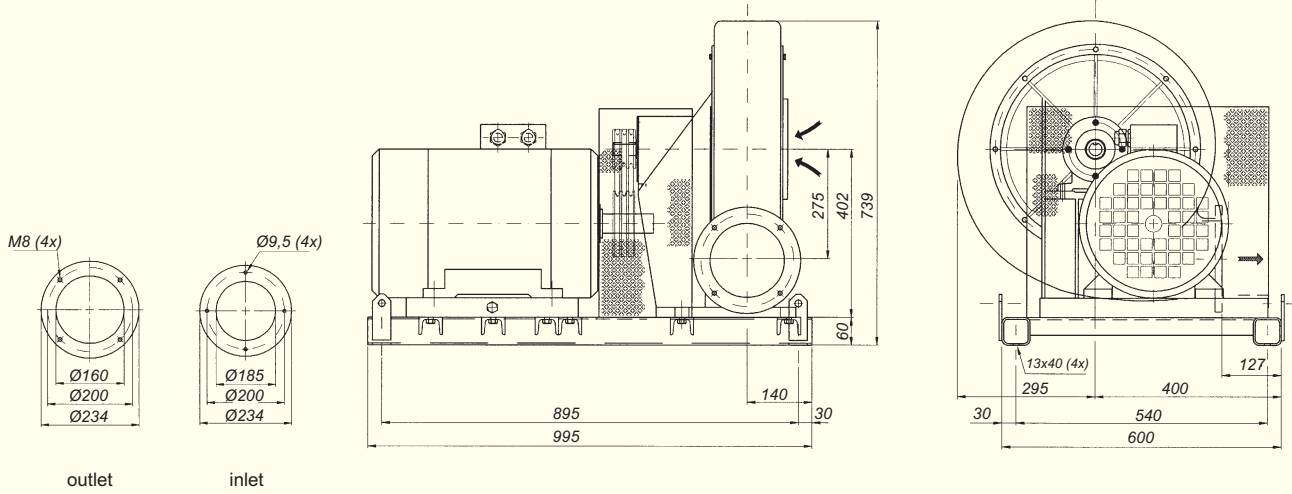




**HPB-360**



**HPR-400**



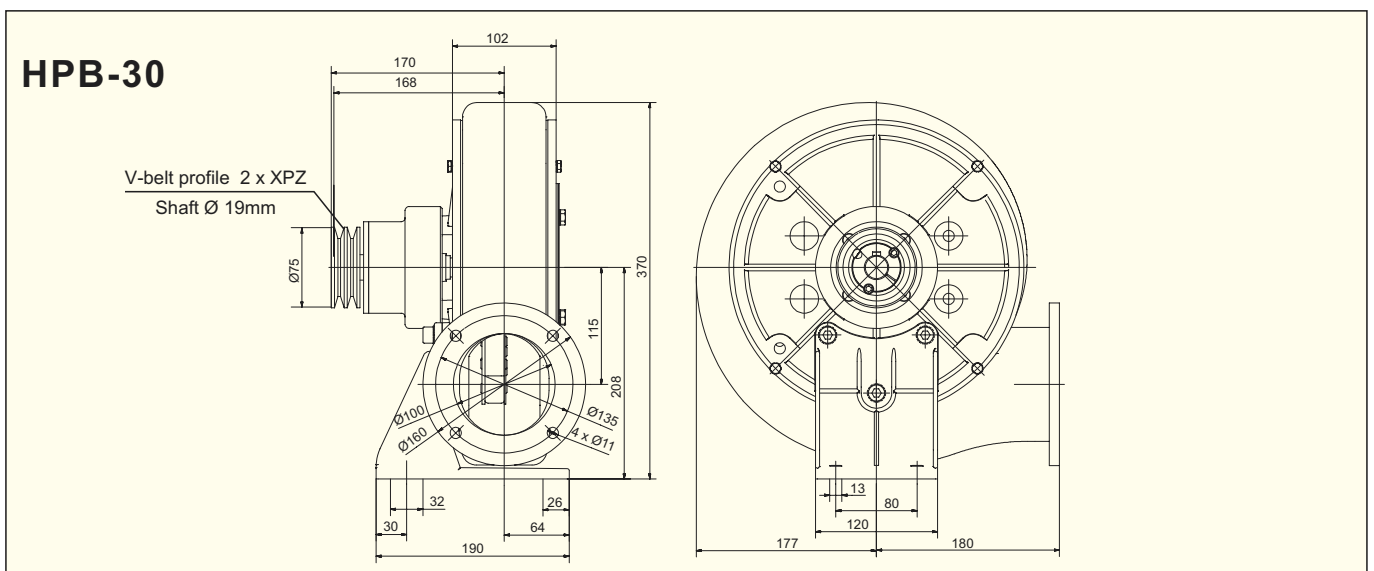
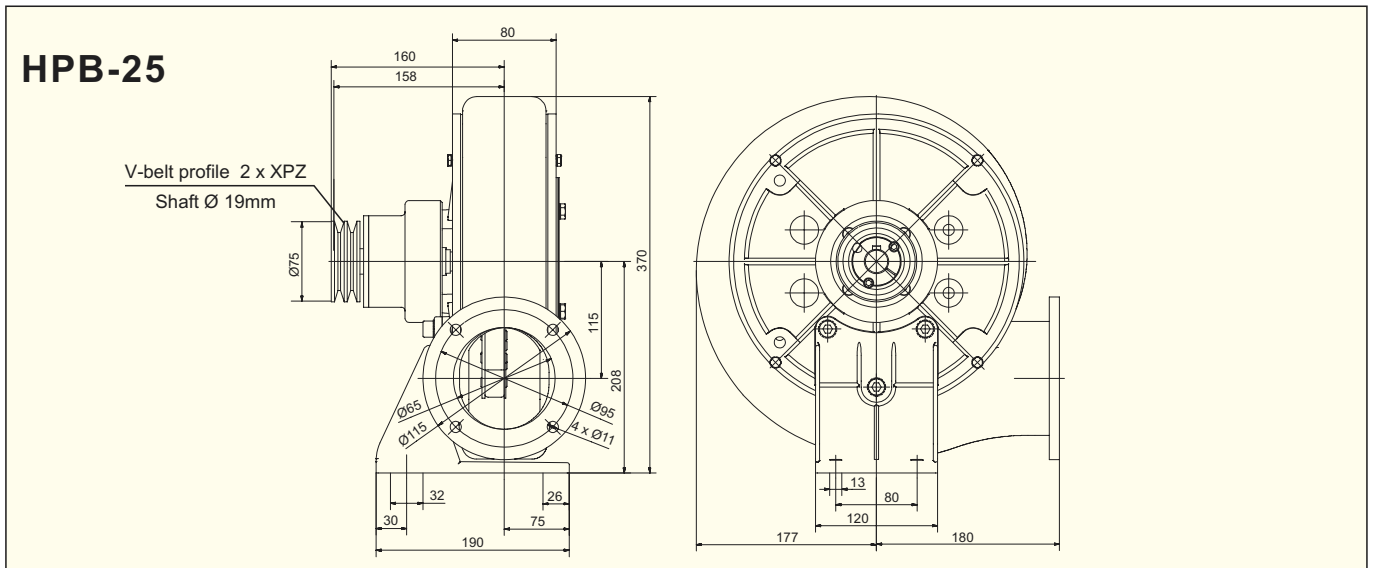


**Technical specification\***

Type	Speed (max) rpm	Motor power kW	Maximum duty m <sup>3</sup> /h	Maximum pressure Pa	Weight kg	Article number*
HPB-25	6600	3,0	950	7000	7,0	113 650 490
HPB-30	6600	3,0	950	7000	9,0	113 650 495
HPT-100	6600	3,0	850	6200	6,0	113 650 500
HPT-100D	6600	3,0	1000	6200	7,0	113 650 510
HPB-200	6600	5,5	2300	12900	19	113 650 520
HPB-260	6600	7,5	2800	12000	19	113 650 530
HPB-260D	6600	7,5	3500	12000	20	113 650 540
HPB-300	6400	11,0	4500	16000	28	113 650 550
HPB-360	6400	18,5	5000	16000	30	113 650 580
HPR-400	5800	30,0	7500	16000	40	113 650 590

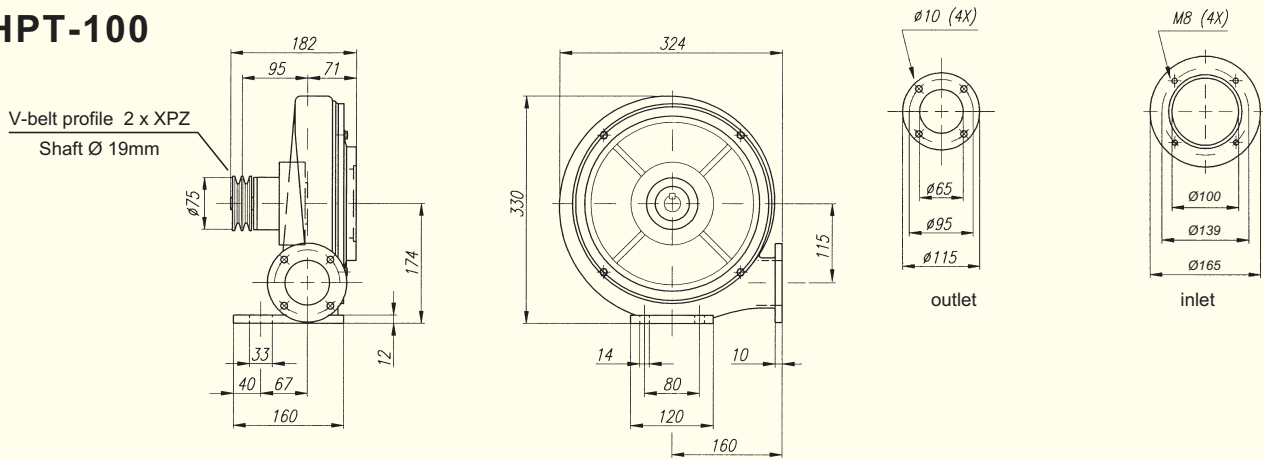
\* - bare unit only

**Dimensions in mm**

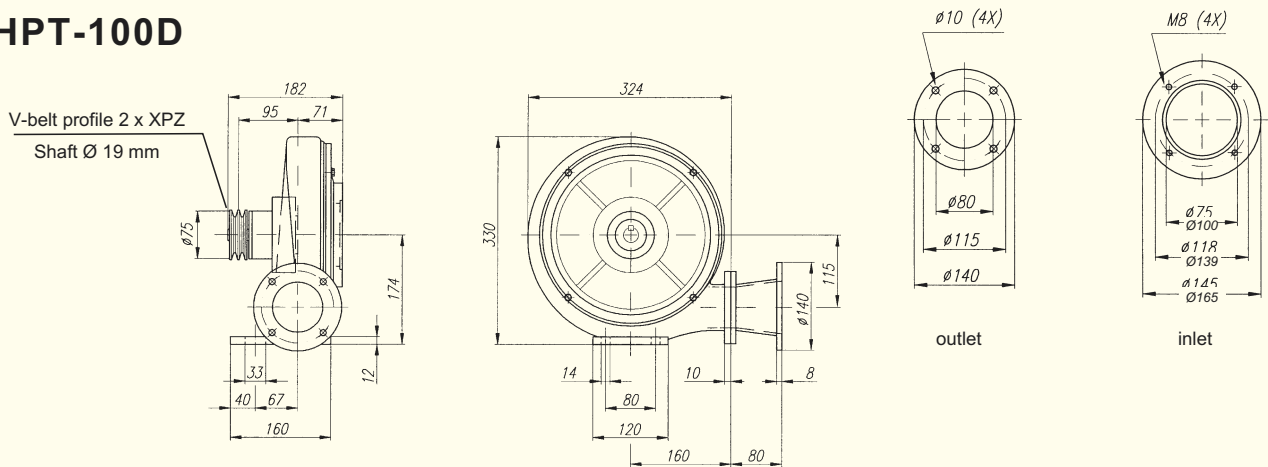


Dimensions in mm

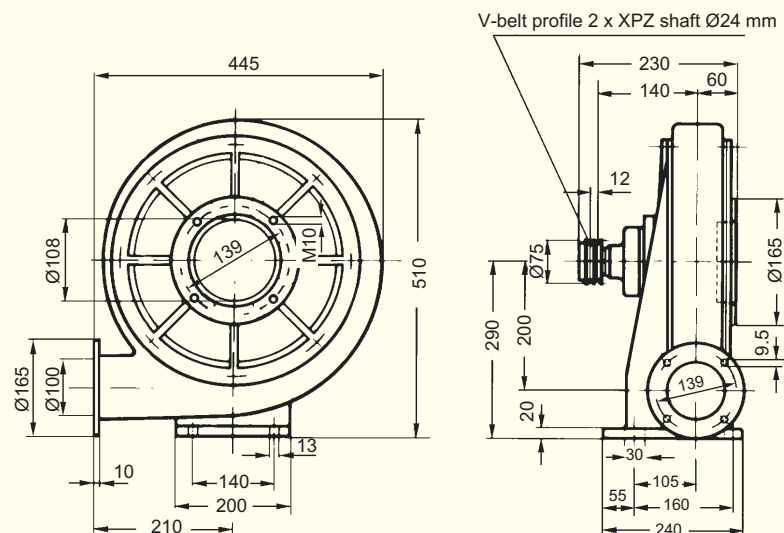
**HPT-100**



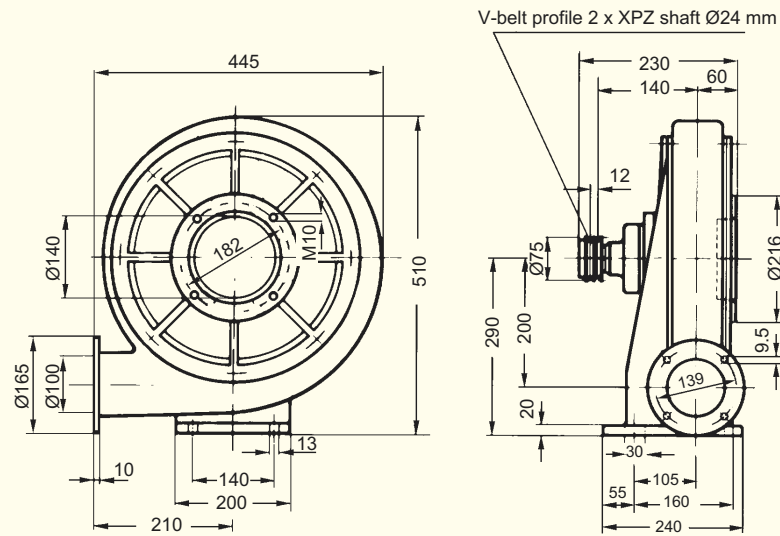
**HPT-100D**



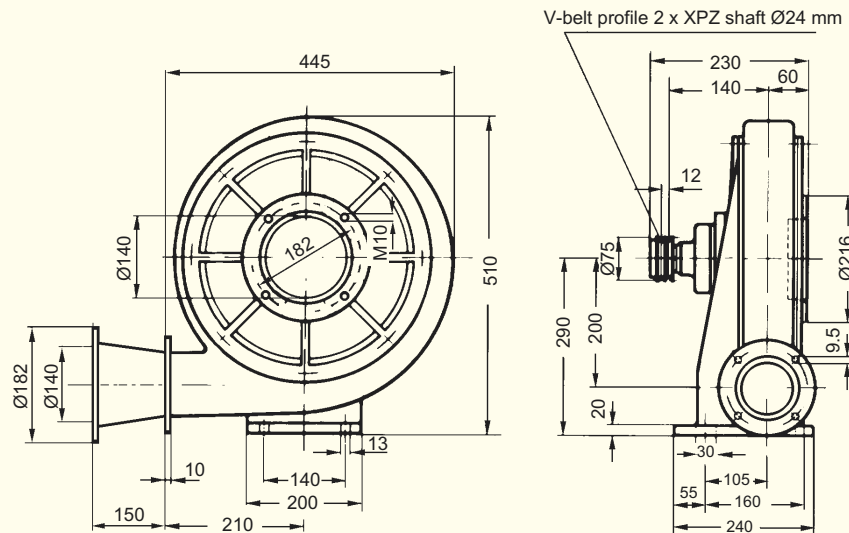
**HPB-200**



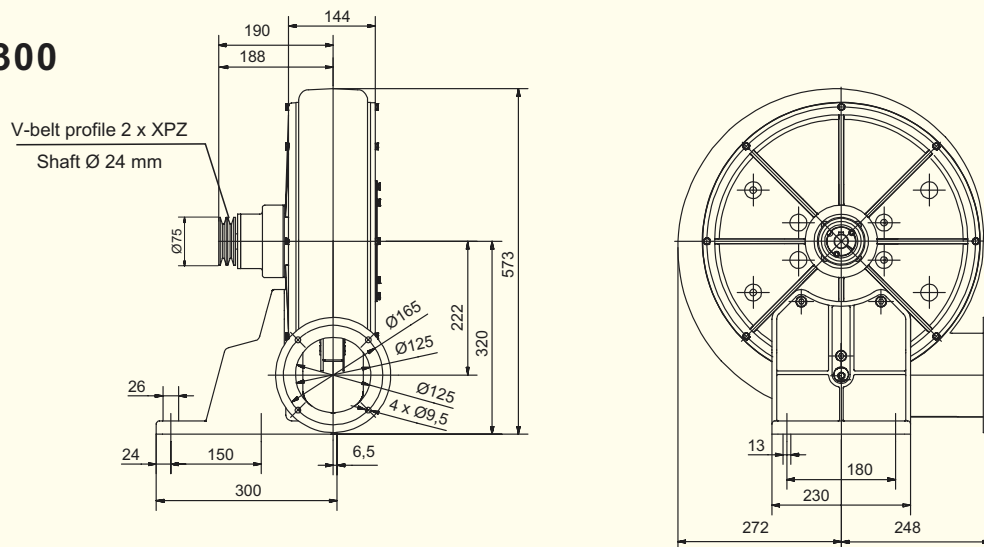
**HPB-260**



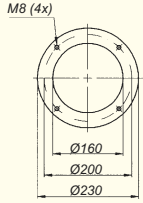
**HPB-260D**



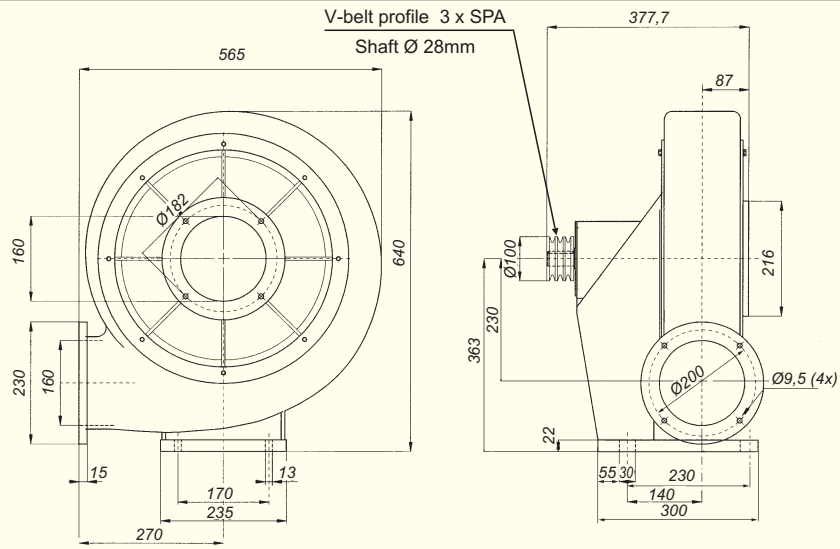
**HPB-300**



**HPB-360**

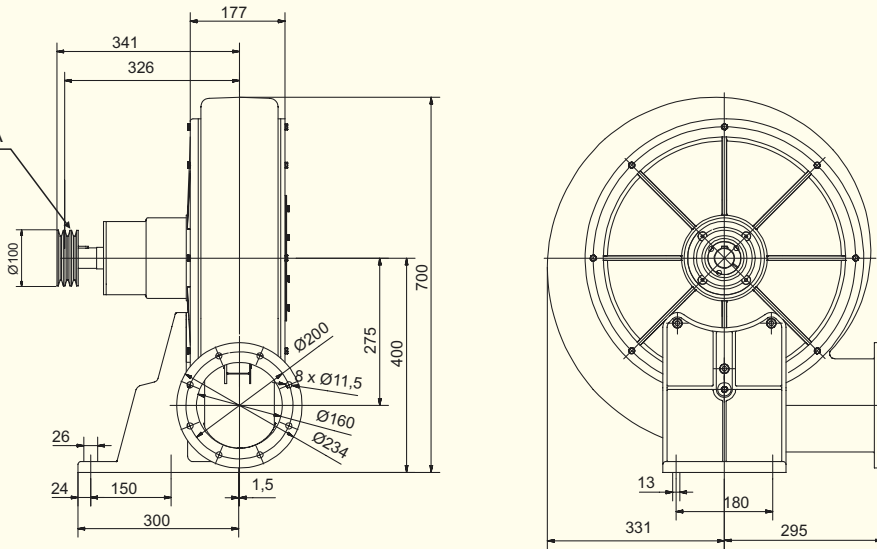


outlet

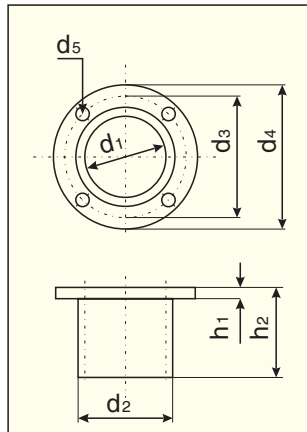


**HPR-400**

V-belt profile 3 x SPA  
Shaft Ø 38mm



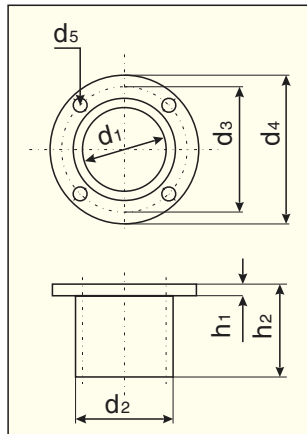
**Connector suction side**



Type	d <sub>1</sub>	d <sub>2</sub>	d <sub>3</sub>	d <sub>4</sub>	d <sub>5</sub>	h <sub>1</sub>	h <sub>2</sub>	Article number
HPB-25	110	125	139	165	9	10	80	113 611 180
HPB-30	110	125	139	165	9	10	80	113 611 180
HPT-100*	100	108						113 561 100*
HPT-100D*	100	108						113 561 125*
HPB-200	110	125	139	165	9	10	80	113 611 180
HPB-260	148	160	182	200	9	10	80	113 611 220
HPB-260D	148	160	182	200	9	10	80	113 611 220
HPB-300	148	160	182	200	9	10	80	113 611 230
HPB-360	148	160	182	200	9	10	80	113 611 220
HPR-400	172	180	200	234	9	10	80	113 611 240

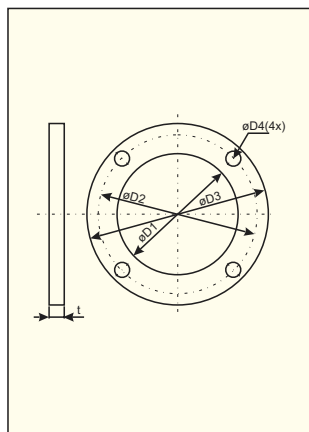
\* - use inlet with connector

**Connector pressure side**



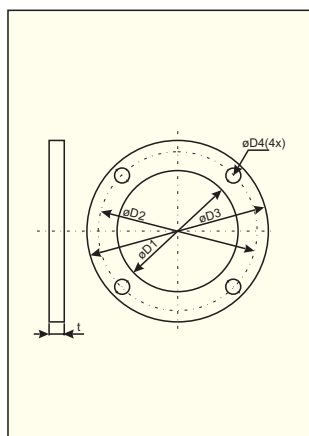
Type	d <sub>1</sub>	d <sub>2</sub>	d <sub>3</sub>	d <sub>4</sub>	d <sub>5</sub>	h <sub>1</sub>	h <sub>2</sub>	Article number
HPB-25	65	76	95	115	10	10	80	113 562 100
HPB-30	65	76	95	115	10	10	80	113 562 100
HPT-100	65	76	95	115	10	10	80	113 562 100
HPT-100D	80	89	112	130	11	10	80	113 562 160
HPB-200	100	112	139	165	9,5	10	80	113 612 180
HPB-260	100	112	139	165	9,5	10	80	113 612 180
HPB-260D	140	150	182	200	10	10	80	113 662 540
HPB-300	125	139	165	190	10	10	80	113 562 270
HPB-360	160	170	200	230	10	11	80	113 562 260
HPR-400	160	170	200	230	10	10	80	113 562 280

**Welding flange suction side**



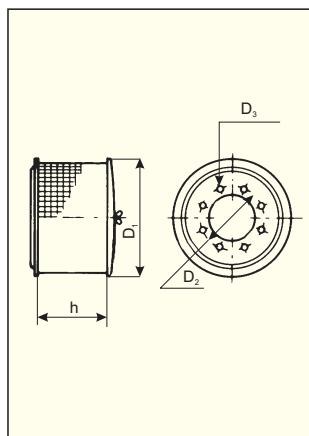
Type	D <sub>1</sub>	D <sub>2</sub>	D <sub>3</sub>	D <sub>4</sub>	t	Article number
HPB-25	110	139	165	9	10	113 617 160
HPB-30	110	139	165	9	10	113 617 160
HPT-100	100	139	165	8,5	10	113 567 100
HPT-100D	100	139	165	8,5	10	113 567 100
HPB-200	110	139	165	9	10	113 617 180
HPB-260	148	182	200	9	10	113 617 220
HPB-260D	148	182	200	9	10	113 617 220
HPB-300	148	182	200	9	10	113 617 230
HPB-360	148	182	200	9	10	113 617 220
HPR-400	172	200	234	9	10	113 617 240

**Welding flange pressure side**



Type	D <sub>1</sub>	D <sub>2</sub>	D <sub>3</sub>	D <sub>4</sub>	t	Article number
HPB-25	65	95	115	10	10	113 613 160
HPB-30	65	95	115	10	10	113 613 160
HPT-100	65	95	115	10	10	113 563 100
HPT-100D	80	112	130	11	10	113 563 160
HPB-200	100	139	165	9,5	10	113 613 180
HPB-260	100	139	165	9,5	10	113 613 180
HPB-260D	140	182	200	10	10	113 663 540
HPB-300	125	165	190	9	10	113 563 270
HPB-360	160	200	230	11	10	113 563 260
HPR-400	160	200	230	10	10	113 563 260

**Filter suction side**



Type	D <sub>1</sub>	D <sub>2</sub>	D <sub>3</sub>	h	Article number
HPB-25	284	139	10	140	113 565 100
HPB-30	284	139	10	140	113 565 100
HPT-100	284	139	10	140	113 565 100
HPT-100D	284	139	10	140	113 565 100
HPB-200	284	139	9	190	113 615 180
HPB-260	284	182	9	300	113 615 220
HPB-260D	284	182	9	300	113 615 220
HPB-300	284	182	9	300	113 615 220
HPB-360	560	182	10	395	113 565 260
HPR-400	560	200	9	395	113 565 270