



## Construction

Single inlet, direct driven centrifugal fan with casing of cast aluminium. Impeller with backward curved blades type B in aluminium sheet.

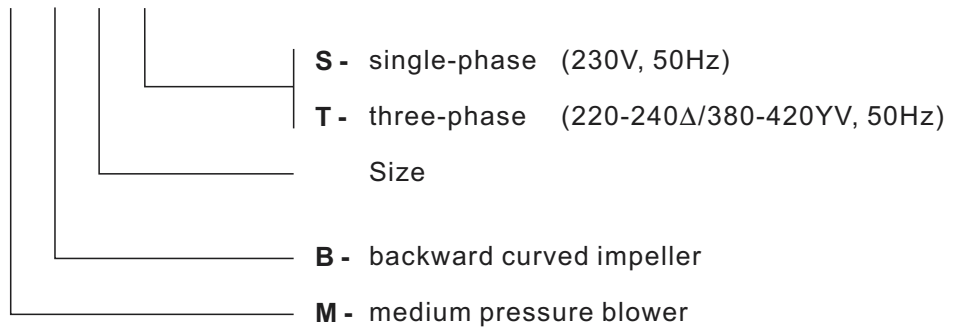
## Motor

220-240/380-420V, 50Hz (380-420/660-690V above 3kW) three-phase or 220-240V, 50Hz single-phase asynchronous motor with squirrel cage. Insulation class F, enclosure IP55. Special voltage or frequency, improved enclosure IP65, 2-speed motors and explosion proof motor can be supplied on request.

Wiring diagram, see page 179.

## Model numbering system

**MPB 30 S**

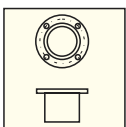


## Technical specification

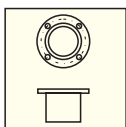
Type	Rated output kW	Speed rpm	Rated current A	Voltage V	Maximum duty m³/h	Pressure max Pa	Sound level* dB(A)	Weight kg	Article number
MPB 25 S	0,12	2800	1,05	230	420	1080	70	8,5	113 600 020
MPB 25 T	0,12	2800	0,35	400Y	420	1080	70	8,0	113 600 025
MPB 30 S	0,18	2760	1,50	230	700	1200	70	9,0	113 600 035
MPB 30 T	0,18	2800	0,55	400Y	700	1200	70	8,5	113 600 030
MPB 75 S	0,55	2820	3,80	230	940	2510	74	16,5	113 600 190
MPB 75 T	0,55	2800	1,40	400Y	940	2510	74	15,0	113 600 180
MPB 110 S	0,75	2820	4,90	230	1030	2320	78	20,0	113 600 230
MPB 110 T	0,75	2820	1,80	400Y	1030	2320	78	18,5	113 600 220
MPB 220 S	1,50	2860	9,50	230	2000	3150	79	22,5	113 600 285
MPB 220 T	1,50	2860	3,40	400Y	2000	3150	79	20,5	113 600 280
MPB 280 T	2,20	2860	4,60	400Y	2500	3500	84	42,0	113 600 320
MPB 300 S	1,50	2860	9,50	230	2050	3250	79	25,0	113 600 360
MPB 300 T	1,50	2860	3,40	400Y	2050	3250	79	23,0	113 600 350
MPB 400 T	3,00	2900	6,50	400Y	3830	3900	84	60,0	113 600 400

\* - in the middle of the performance curve.

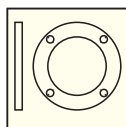
## Accessories



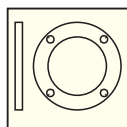
Connector suction side page 102



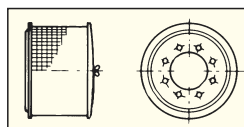
Connector pressure side page 102



Welding flange suction side page 103

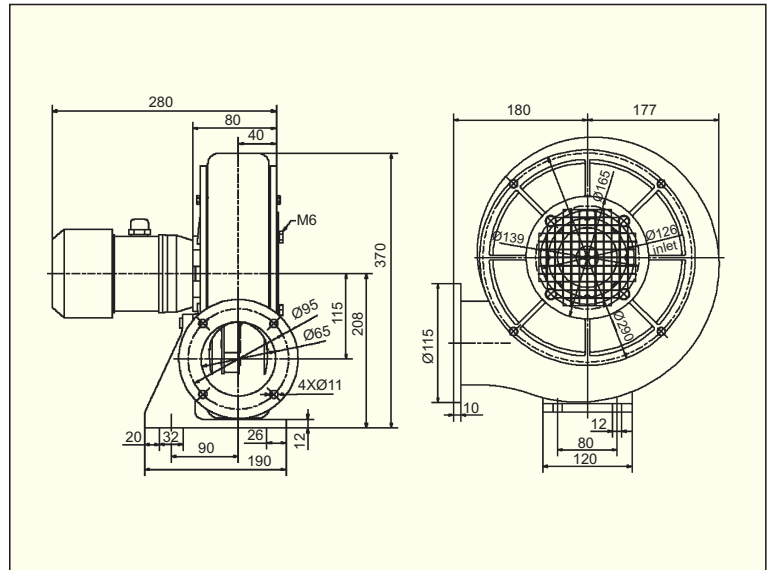
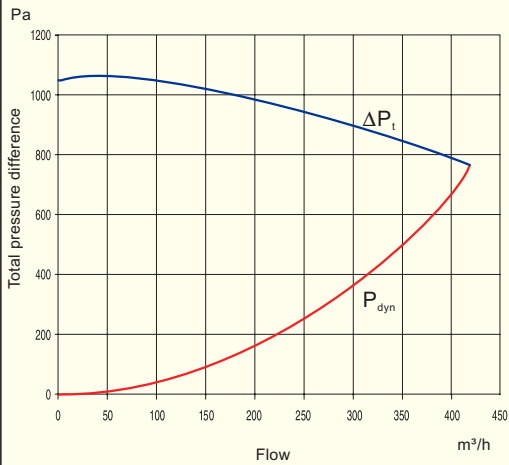


Welding flange pressure side page 103

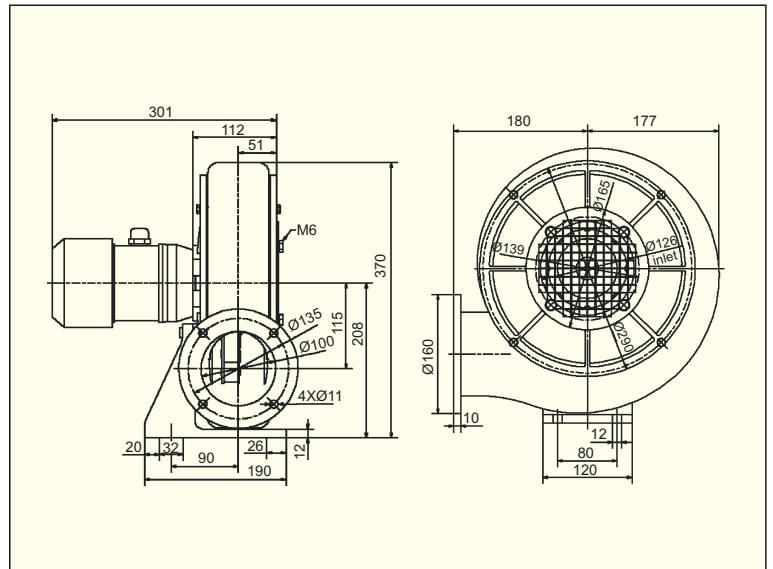
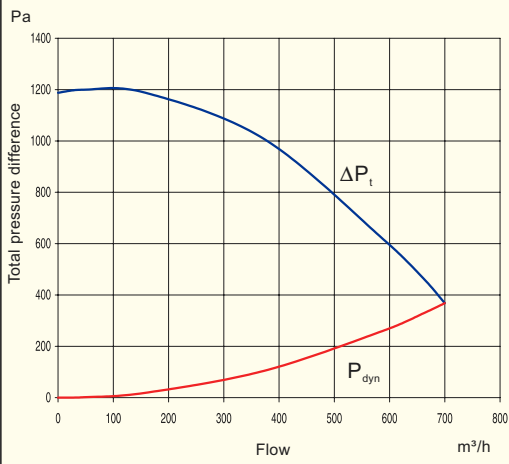


Filter suction side page 103

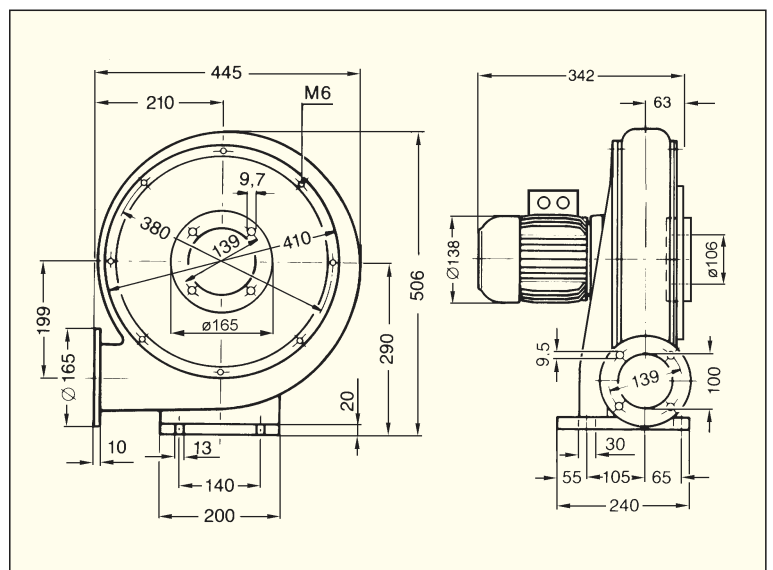
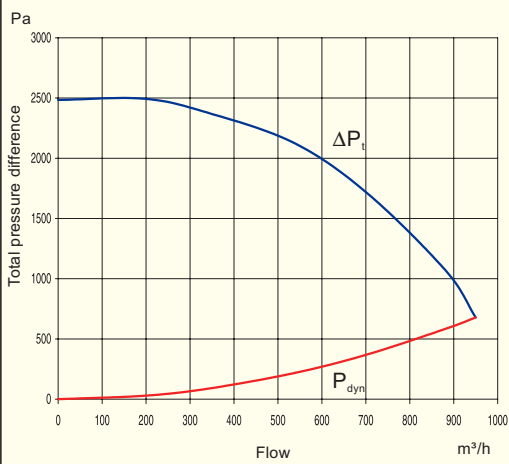
**MPB25T, MPB25S**



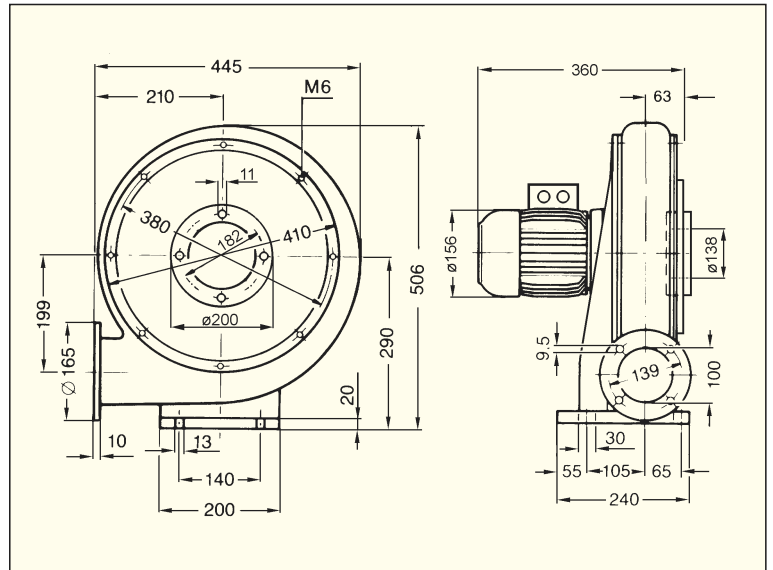
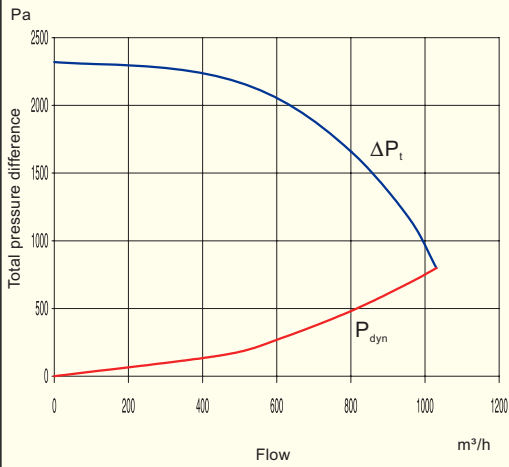
**MPB30T, MPB30S**



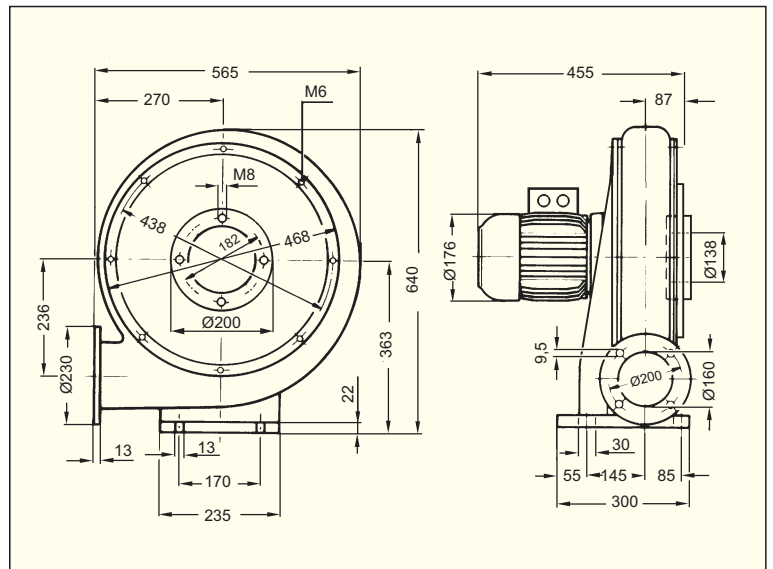
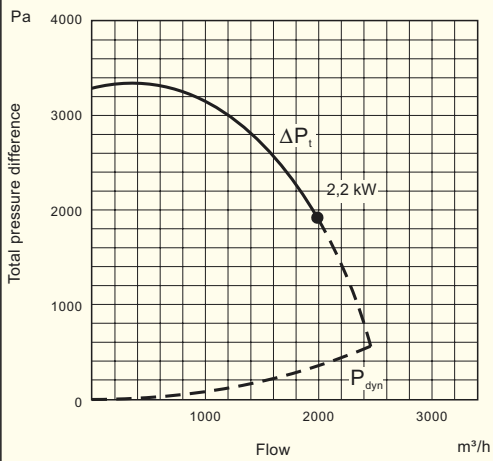
**MPB75T, MPB75S**



**MPB110T, MPB110S**



**MPB220T, MPB220S**



**MPB280T**

