













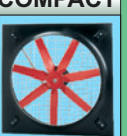

In-Line Fans

1 - 27

TD  2 - 7	VENT  8 - 11	IBF  12 - 16	CVAB/CVAT  17 - 18	DH  19 - 20	RH  21 - 22
Accessories					
 RCS 23	 DF 24	 DFK... +EU 25	 ACOP PL 26	 CAR 27	



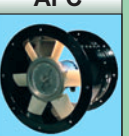











Axial-flow Fans Wall Versions

29 - 42

HXM  30	COMPACT  31 - 39	AFW  40 - 42
---	--	--


Axial-flow Fans Cased Versions

43 - 69

COMPACT  44 - 51	TCB □x2  52 - 53	AFC  54 - 57	AFC-VB  58 - 59	AFC-HT  60	AFD  61 - 62	AFH  63 - 64	AFS  65 - 66
AFK  67	Accessories						
	 Louvre shutters	 Flexible connectors	 Sleeve	 Mounting base	 Protection net		

Roof Fans

71 - 86

RF  72 - 74	RFV  75 - 76	RBH  77 - 78	CTH..., CTV...  79 - 85	Accessories  86
---	--	--	---	---

Fans "ATEX"

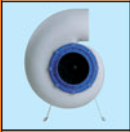
87 - 94

EGM  88 - 91	COMPACT EXE  92	HDT, HDB  93 - 94
--	---	---

Centrifugal Fans VISP/VASP

95 - 104

VISP



96 - 99

VASP



100 - 103

Accessories



104

Centrifugal Fans

105 - 190

SEM



106

DEM



107

CBM



108 - 110

CBP



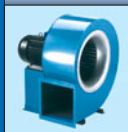
111 - 114

GSF-AP HT



115 - 116

GSF



117 - 119

GRF



120 - 121

GSFG



122 - 125

MPB



126 - 129

MPR



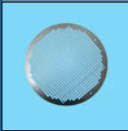
130 - 132

MPT



133 - 137

Accessories



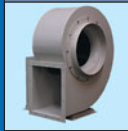
138 - 139

GMT



140 - 143

GSB/MSB



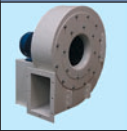
144 - 149

MSB-VB



150 - 152

HSB



153 - 155

GST



156 - 158

QP



159 - 161

Q



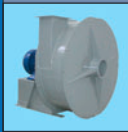
162 - 165

Q-2



166 - 167

DPB



168 - 169

FCM



170

RL



170

PB



171

PH



171

BL



172

BFN



172

HPBx



173 - 175

HPB, HPT, HPR



176 - 188

Accessories



189 - 190

Side Channel Blowers

191 - 212

SC



192 - 200

SC VB



201 - 204

DSC/PSC



205 - 210

Accessories



211 - 212

Chip Extractors

213 - 215

WNF



214 - 215

Domestic Fans

217 - 227

SILENT



218 - 219

DECOR



220 - 221

EDM



222 - 223

EBB, EB



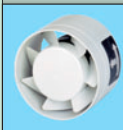
224

EBB, EB N



225

TDM



226

HTB



227

Accessories

229 - 232

RMB



230

REB-1 NE



230

REGUL-2



230

HIG-2



231

SQA



231

CT 12/14



231

Commander SK



232

Electric Diagrams

233 - 237

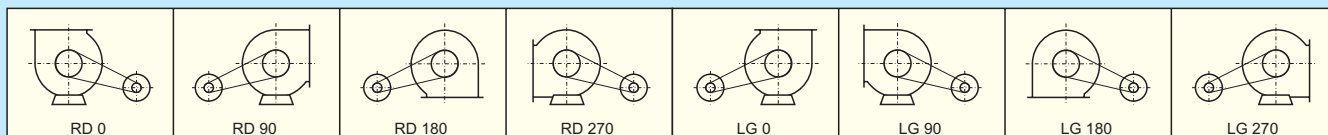
General Information

239 - 242

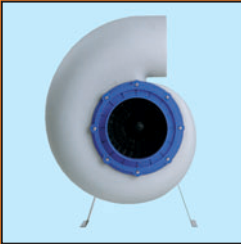
Index

243 - 244

All fans in this catalogue can be specified with orientations as shown below. However some fans can only be delivered as shown in the pictures in the catalogue. The symbols show the fan from the drive side or the motor side.



Performance curves are valid with a tolerance of $\pm 10\%$ for the pressure and $\pm 10\%$ for the airflow, air density $1,223\text{kg/m}^3$, at an ambient temperature of 20°C and at 1013mbar atmospheric pressure. We reserve the right to make changes of constructions and performance curves without prior notice. We do not take any responsibility for misprints.



VISP	96
VASP	100
Accessories	104

In-Line Fans

Axial-flow Fans Wall Versions

Axial-flow Fans Cased Versions

Roof Fans

Fans "ATEX"

Centrifugal Fans VISP/VASP

Centrifugal Fans

Side Channel Blowers

Chip Extractors

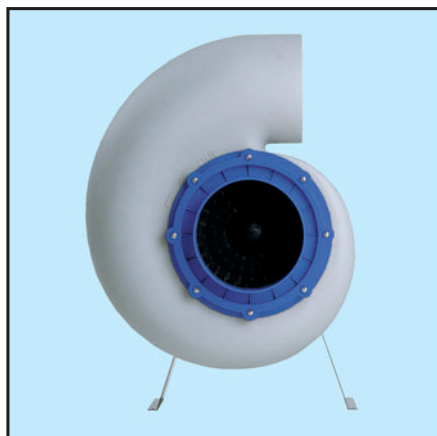
Domestic Fans

Accessories

Electric Diagrams

General Information

Index



Construction

Single inlet, direct driven centrifugal fan. Suitable for operation in corrosive applications including plating, fume handling, lab hood exhaust, etc. Casing made of single block strong high density UV treated and recyclable polypropylene (PPH) with no welded joint. Forward curved centrifugal type impeller made of injection molded PPH. Fan wheel supplied with motor shaft bushing and hub cap constructed of PPH. Wheels electronically and dynamically balanced to ISO1940. PPH casing and wheel recommended up to 80°C.

Motor

Direct drive, asynchronous, single or three phase, IP55. Single speed: three phase 120/400 V - 50/60 Hz, single phase 230 V - 50 Hz.

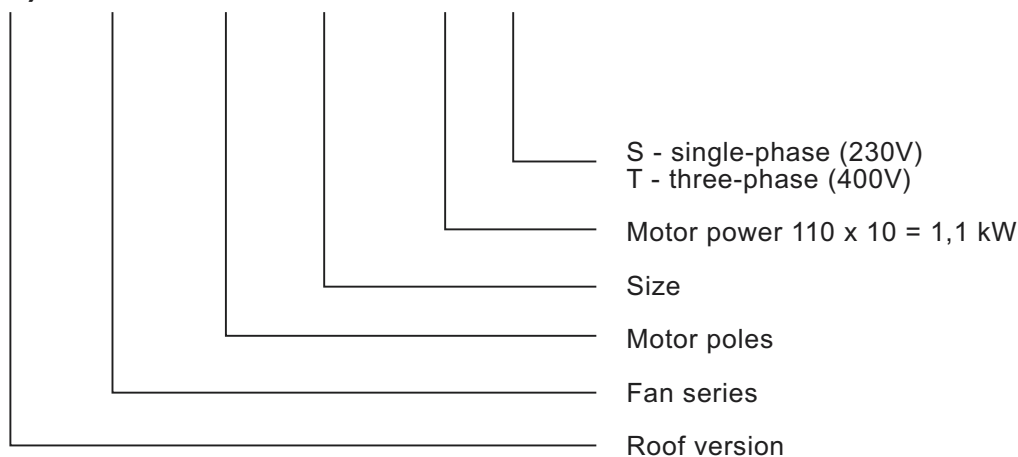
Explosion-proof motors available on request.

VISP series fans are also available in ATEX 3G execution in accordance with 94/9/EC ATEX regulation. Please contact us for more information.



Model numbering system

(R) VISP / 2 - 20 - 110 T



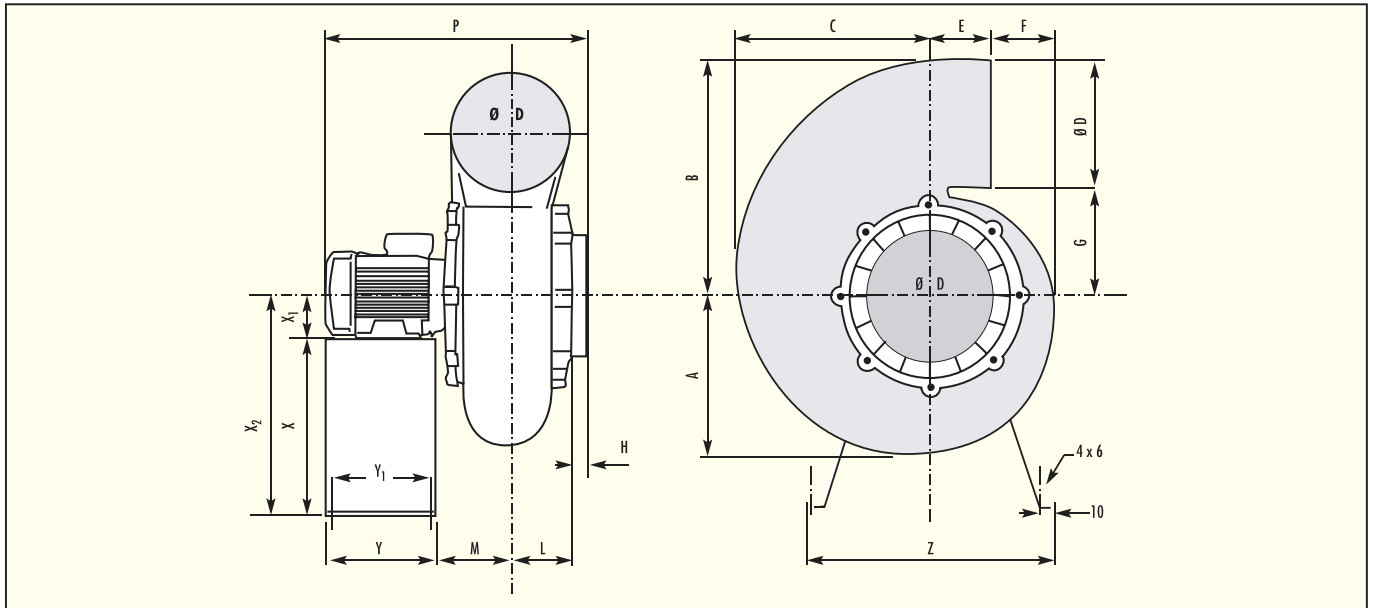
Data

Type	Speed rpm	Motor power kW	Voltage V	Maximum current A	Maximum duty m³/h	Maximum static pressure Pa	Weight kg	Article number
VISP/6-15-018T	880	0,18	400	0,6	280	46	12	213195100
VISP/4-15-025T	1350	0,25	400	0,71	440	110	12	213195110
VISP/4-15-025S	1350	0,25	230	2,3	440	110	12,5	213195115
VISP/2-15-037T	2730	0,37	400	0,9	860	430	12,3	213195120
VISP/2-15-037S	2800	0,37	230	3,0	860	430	12,7	213195125
(R) VISP/6-20-018T	880	0,18	400	0,6	860	115	13	213195130
(R) VISP/4-20-025T	1350	0,25	400	0,71	1320	240	13,2	213195140
(R) VISP/4-20-025S	1350	0,25	230	2,3	1320	240	13,7	213195145
(R) VISP/2-20-075T	2770	0,75	400	1,7	1400	1040	20,5	213195150
(R) VISP/2-20-075S	2820	0,75	230	5,2	1400	1040	20,5	213195155
(R) VISP/2-20-110T	2770	1,1	400	2,45	1950	1040	21,7	213195160
(R) VISP/2-20-110S	2820	1,1	230	7,9	1950	1040	20,5	213195165
(R) VISP/6-25-018T	880	0,18	400	0,6	1550	150	16	213195170
(R) VISP/4-25-037T	1380	0,37	400	0,98	2410	370	16,5	213195180
(R) VISP/4-25-037S	1360	0,37	230	3,1	2410	370	17	213195185
(R) VISP/2-25-220T	2845	2,2	400	4,6	2000	1450	27,5	213195200
(R) VISP/2-25-300T	2835	3,0	400	6,5	3450	1450	29	213195210
(R) VISP/6-30-055T	900	0,55	400	1,65	3050	220	27	213195220
(R) VISP/4-30-150T	1420	1,5	400	3,4	4820	560	31,5	213195230
(R) VISP/4-30-150S	1400	1,5	230	9,3	4820	560	31,5	213195235
(R) VISP/8-35-150T	710	1,5	400	4,2	5500	280	59	213195240
(R) VISP/6-35-220T	955	2,2	400	5,4	7000	450	59	213195250
(R) VISP/4-35-550T	1450	5,5	400	10,9	8400	1090	74	213195260
(R) VISP/4-35-750T	1455	7,5	400	14,4	10100	1090	80	213195270

Acoustic characteristics (R) VISP

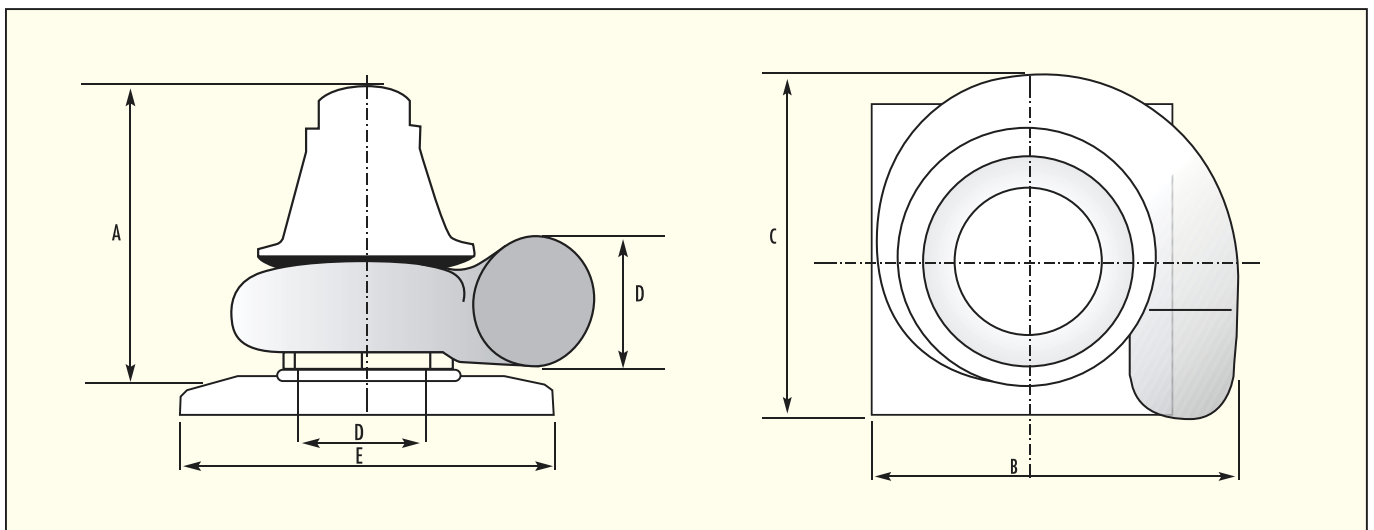
	VISP 15		VISP 20		VISP 25			VISP 30		VISP 35		
	point 1	point 2	point 1	point 2	point 1	point 2	point 3	point 1	point 2	point 1	point 2	
rpm	1450	1450	1450	1450	1450	1450	2870	1450	1450	1450	1450	
Flow	39	251	445	660	662	1330	3079	915	2481	6120	10080	
Static pressure	109	87	217	199	350	318	1046	552	477	750	625	
Frequency Hz	125	50,5	55,3	65,1	67,6	70,1	72,2	84	75,1	60,6	74,5	74,5
	250	51,6	51,7	64,9	65,3	70,8	70,6	86,9	76,5	68,5	68,2	72
	500	52,7	52,1	63,8	64,8	70,1	72,1	85	76,9	75,5	68,4	76,1
	1000	46,8	49,8	61	61,9	69,8	70,5	87,2	73,2	74,2	67,4	75,5
	2000	39,2	41,8	52,3	53	59,8	62,1	82,3	68,5	71	61,2	70,9
	4000	32,8	36,9	50,6	51,33	54,7	59,2	79,6	63,9	66,7	61,3	71,4
Lw (dB)	57	58,9	70,1	71,5	76,4	77,7	92,7	82	79,5	82,4	87,9	
Lw (dBA)	52,2	53,7	65,3	66,2	72,7	73,9	90,6	78,2	78,4	77,3	86	

Dimensions in mm



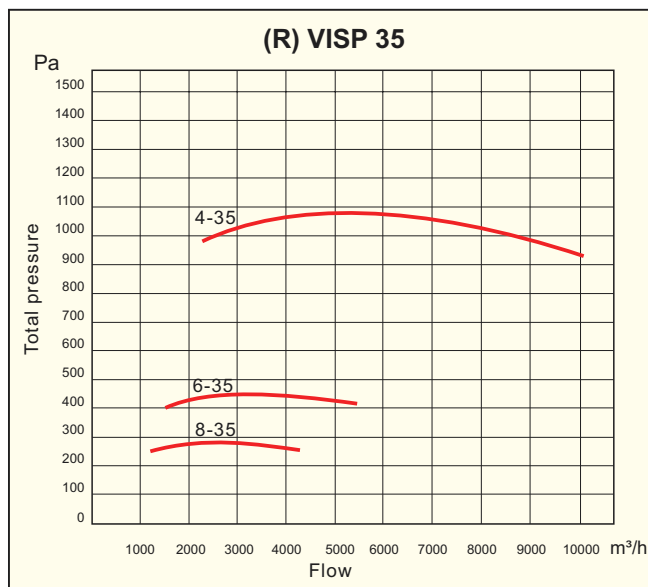
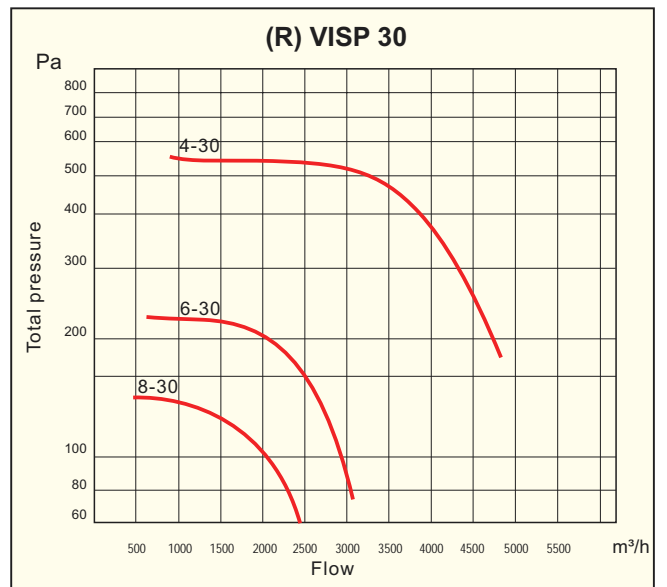
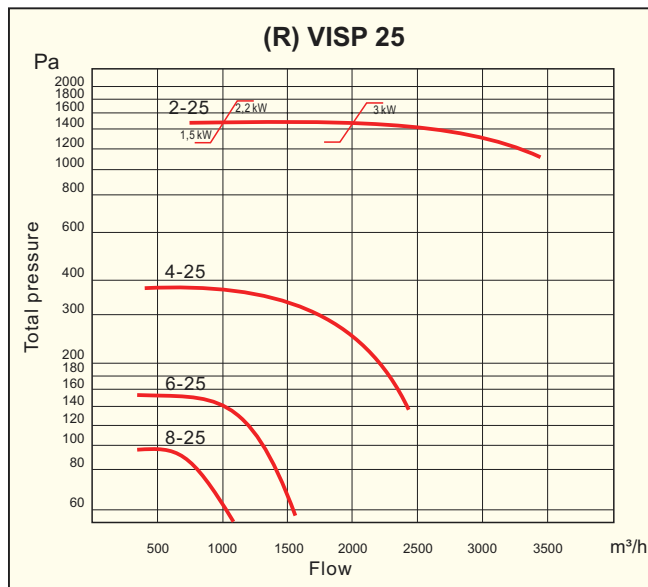
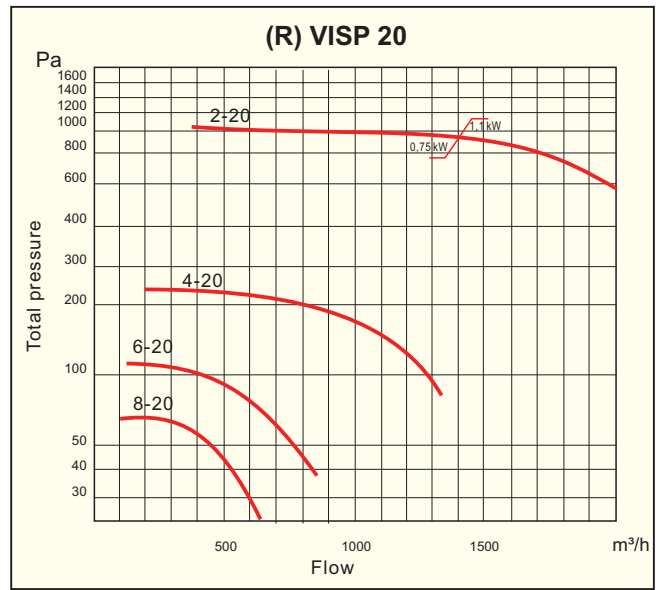
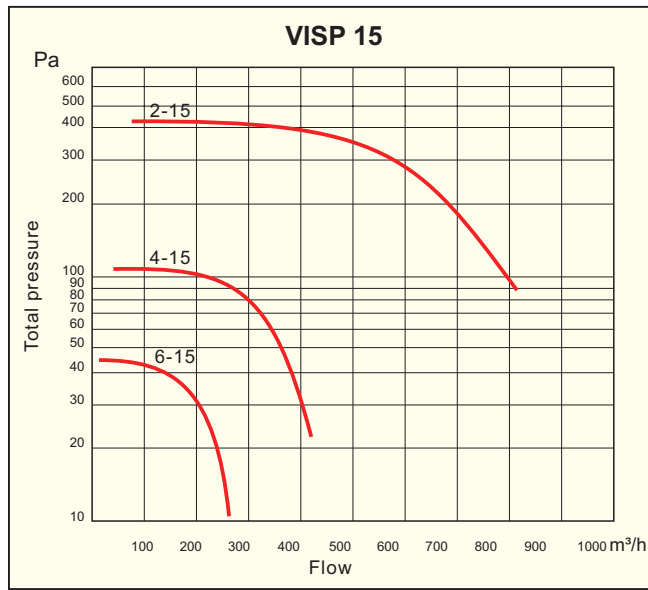
VISP	Type	A	B	C	D	E	F	G	H	L	M	P	Y	Y1	Z	X	X1
	15	170	240	203	125	100	32	115	30	70	80	360	180	160	340	240	71
	20	208	303	240	160	100	57	143	32	84	94	390	180	160	340	240	71/80*
	25	248	365	310	200	103	92	165	35	95	105	415	180	160	420	300	71/90*
	30	300	450	373	250	117	112	198	35	110	120	505	240	220	460	270	80/90*
	35	370	570	450	315	130	170	255	60	150	170	730	350	314	600	468	112

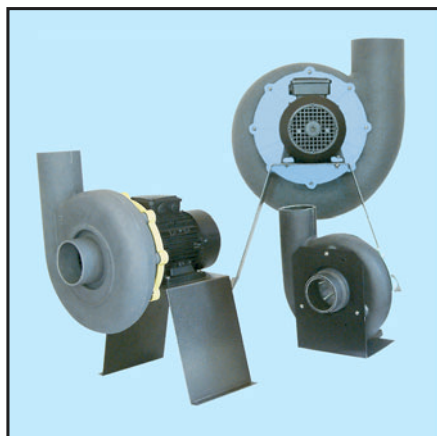
* - Depends on selected motor size



RVISP	Type	A	B	C	D	E
	20	460	590	555	160	547x547
	25	500	640	590	200	547x547
	30	600	750	650	250	547x547
	35	880	950	850	315	700x700

Performance curves



NOWOŚĆ**Construction**

Single inlet, direct driven centrifugal fan. Suitable for ventilation of safety cabinets, scrubbers, fume capture arm, filter housing, etc.

Casing made of single block strong high density UV treated and recyclable polypropylene (PPH) with no air leakage. All fan mounting hardware is stainless steel. Forward curved centrifugal type impeller made of injection molded PPH. Fan wheel supplied with motor shaft bushing and hub cap constructed of PPH. Wheels electronically and dynamically balanced. LG/CCW rotation only. PPH casing and wheel recommended up to 80°C.

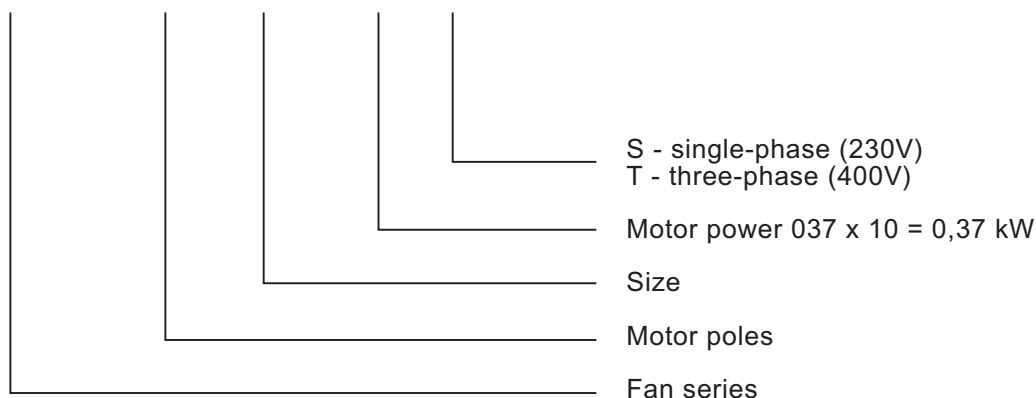
Motor

Direct drive, asynchronous, single or three phase, IP55. Single speed: three phase 230/400 V- 50/60 Hz, single phase 230 V - 50 Hz. Explosion-proof motors available on request.

VASP series fans are also available in ATEX Zone II, category 3G execution in accordance with ATEX regulation 94/9/CE. Please contact us for more information.

Model numbering system

VASP - 2 - 12 - 037 T

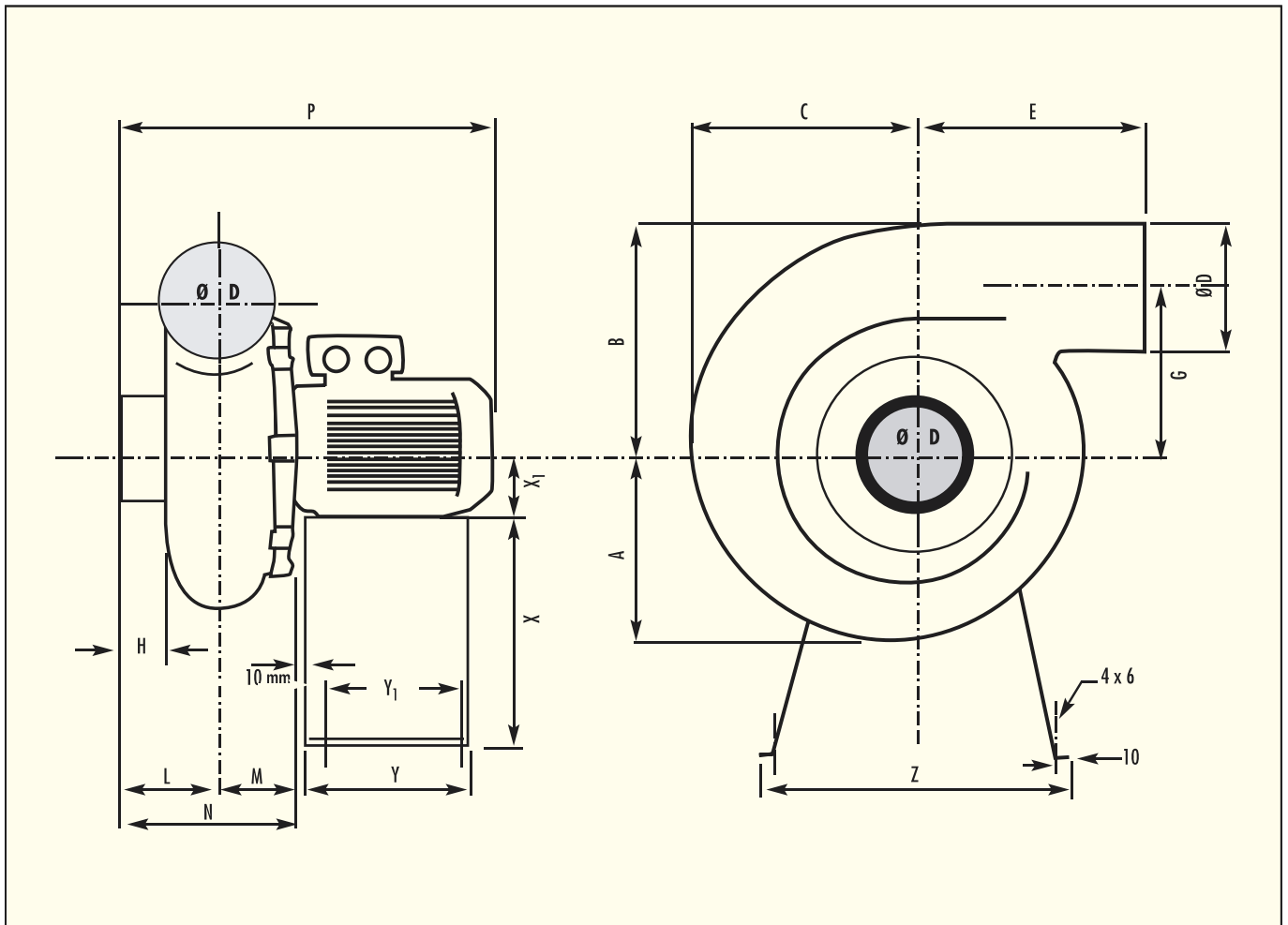


Data

Type	Speed rpm	Motor power kW	Voltage V	Maximum current A	Maximum duty m ³ /h	Static pressure Pa	Weight kg	Article number
VASP/4-10-006T	1400	0,06	400	0,25	80	110	5	213195500
VASP/4-10-006S	1410	0,06	230	0,53	80	110	6	213195505
VASP/2-10-012T	2800	0,12	400	0,32	180	420	5,5	213195510
VASP/2-10-012S	2860	0,12	230	1,0	180	420	5,5	213195515
VASP/4-12-025T	1380	0,25	400	0,85	270	220	11,5	213195520
VASP/4-12-025S	1350	0,25	230	2,3	270	220	12	213195525
VASP/2-12-037T	2800	0,37	400	1,0	530	830	12	213195530
VASP/2-12-037S	2800	0,37	230	3,0	530	830	12	213195535
VASP/2-14-110T	1415	1,1	400	2,7	1080	1350	21,5	213195540
VASP/2-14-110S	1380	1,1	230	7,5	1080	1350	21,5	213195545
VASP/2-16-220T	2845	2,2	400	4,6	1850	2010	28	213195550

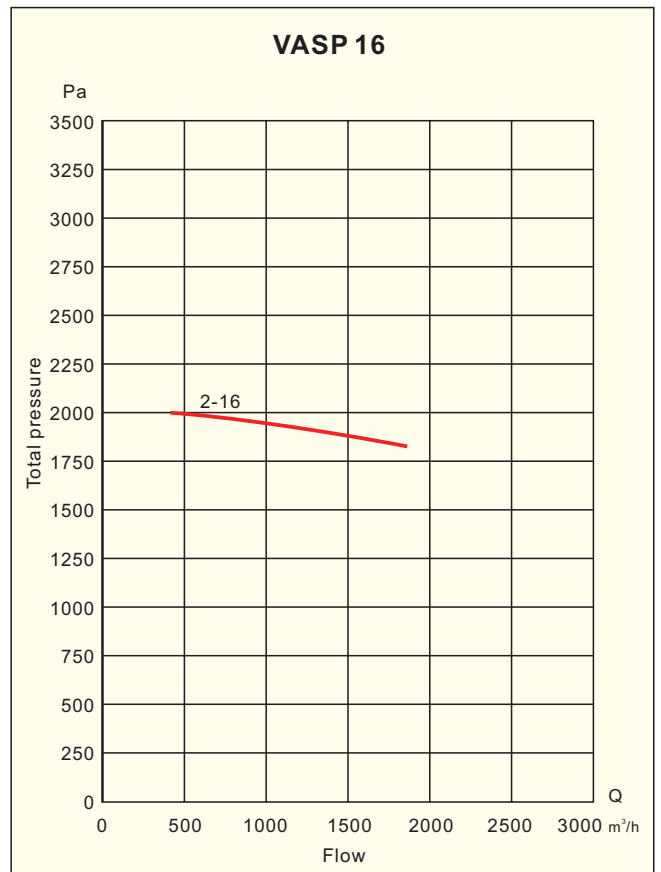
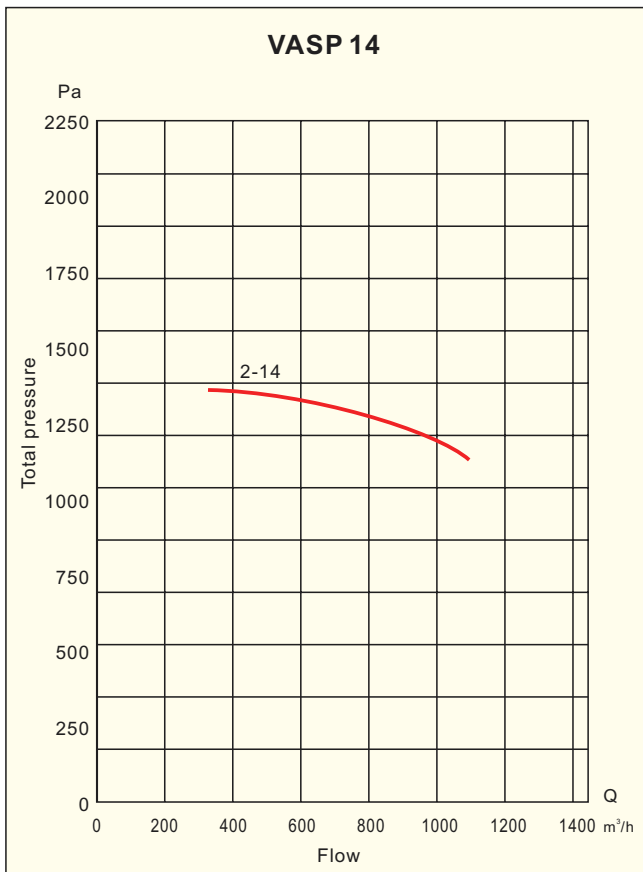
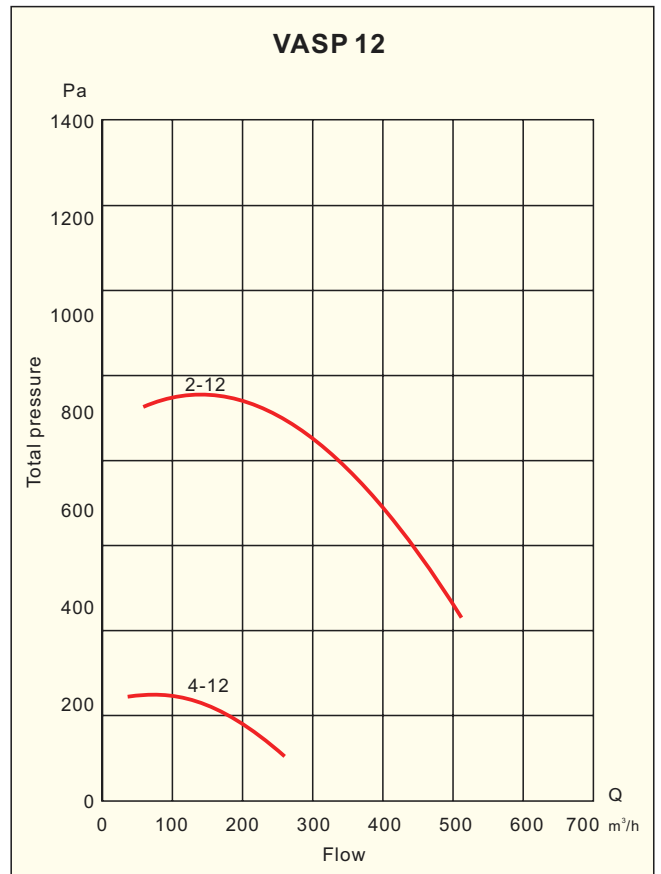
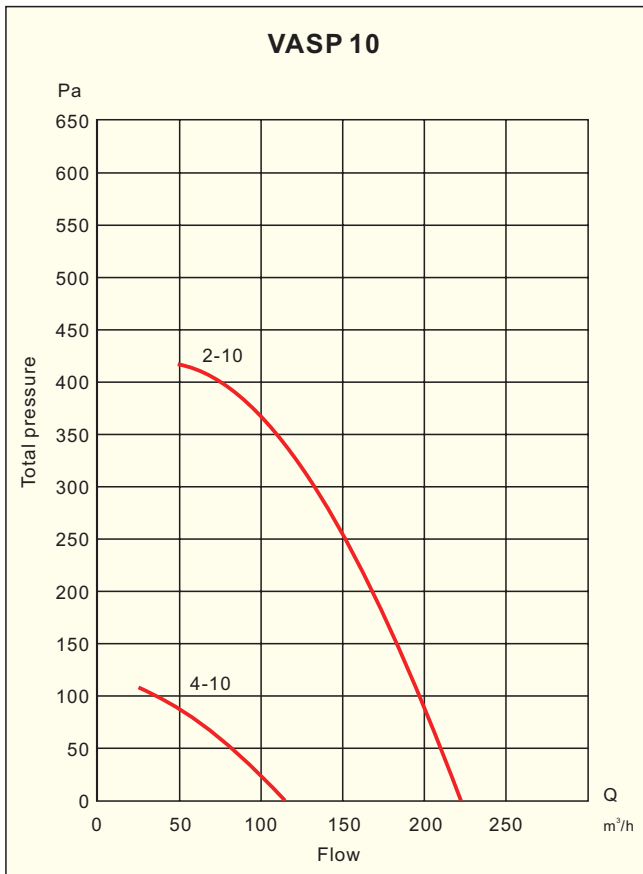
Acoustic characteristics VASP

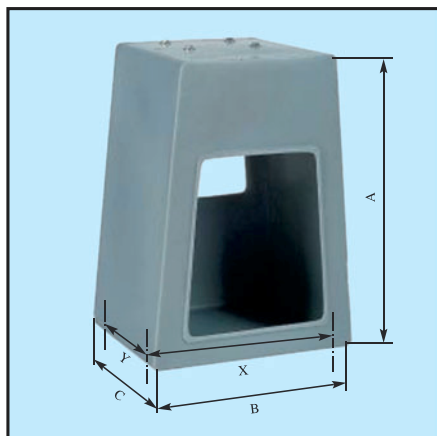
		VASP 10		VASP 12		VASP 14		VASP 16	
		point 1	point 2	point 1	point 2	point 1	point 2	point 1	point 2
Speed [rpm]		1435	2870	1450	2850	1450	2850	1450	1450
Flow [m ³ /h]		58	116	233	458	538	1057	906	2481
Total pressure [Pa]		96	386	208	805	400	1547	585	477
		Lw(dB)	Lw(dB)	Lw(dB)	Lw(dB)	Lw(dB)	Lw(dB)	Lw(dB)	Lw(dB)
Frequency Hz	50			79,9	92,5	81,5	104,7	85,5	107,9
	100			71,9	88,5	76,9	90,2	87	94,2
	250	49,8	66,9	63,6	76,4	74,7	87,3	74,3	94
	500	45,2	64,8	66,4	72,6	69,1	84,1	70,9	84,1
	1000	49,8	60,3	55,7	76,4	61,4	80	69,2	83,4
	2500			47,7	63,3	54,6	71,8	62,9	80,3
	5000			43,3	62,4	50	69,3	57,8	77,5
	10000			41,4	58	48,3	64,7	49,7	72,5
Lw (dB)		61,6	80,8	83,9	98,1	87,3	105,8	93,6	110
Lw (dBA)		52,3	69,7	71,7	85,8	75	89,8	78,3	94,8



Dimensions in mm

VASP	A	B	C	D	E	G	H	L	M	N	P	Y	Y ₁	Z	X	X ₁
10	115	135	127	75	158	97	32	48	57	137	295	12	100	165	135	
12	145	175	163	90	212	130	45	80	72	152	350	180	160	340	240	71
14	188	232	227	125	218	170	55	110	83	193	433	180	160	340	240	80
16	235	288	278	160	262	205	40	100	97	197	477	240	160	420	300	90

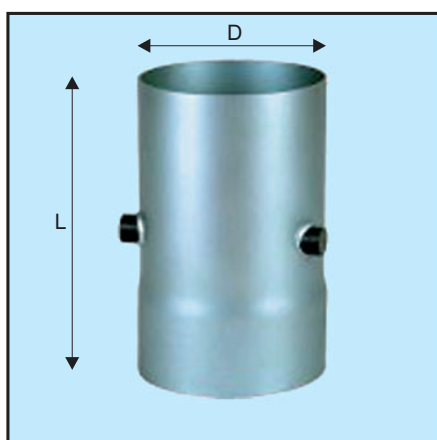
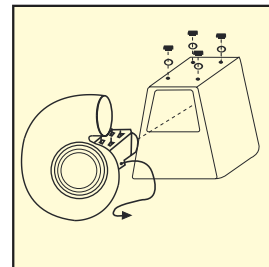




Motor protection stand PO

Dimensions in mm

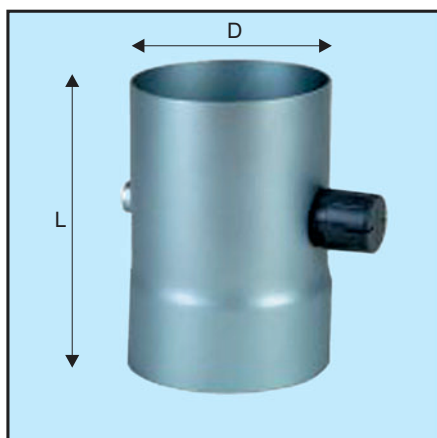
	Type	A	B	C	X	Y
VISP 15,20, VASP 10,12	350	350	395	320	260	250
VISP 25-4,6P, VASP 14	450	450	330	260	260	200
VISP 25-2P,30, VASP 16	550	550	400	365	330	300
VISP 35	700	715	585	505	520	430



Clapper valve C

Dimensions in mm

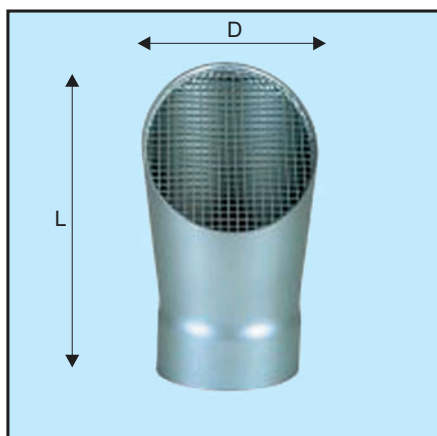
L	D
125	220
160	260
200	270
250	315
315	350



Adjustable damper AD

Dimensions in mm

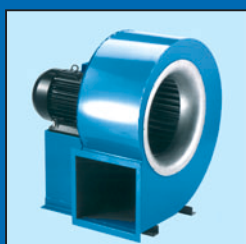
L	D
125	190
160	205
200	220
250	225
315	230



Exhaust cap EC

Dimensions in mm

L	D
125	190
160	205
200	220
250	225
315	



SEM	106
DEM	107
CBM	108
CBP	111
GSF-AP HT	115
GSF	118
GRF	120
GSFG	122
MPB	126
MPR	130
MPT	133
Accessories - MP...	138
GMT	140
GSB, MSB	144
MSB-VB	150
HSB	153
GST	156
QP	159
Q	162
Q, 2-stage	166
DPB	168
FCM, RL	170
PB, PH	171
BL, BNF	172
HPBx	173
HPB, HPT, HPR	176
Accessories - HP...	189

In-Line Fans

Axial-flow Fans Wall Versions

Axial-flow Fans Cased Versions

Roof Fans

Fans "ATEX"

Centrifugal Fans VISP/VASP

Centrifugal Fans

Side Channel Blowers

Chip Extractors

Domestic Fans

Accessories

Electric Diagrams

General Information

Index



Construction

Single inlet centrifugal fan with forward curved impellers manufactured in galvanized steel sheet. Casing in galvanized steel sheet.

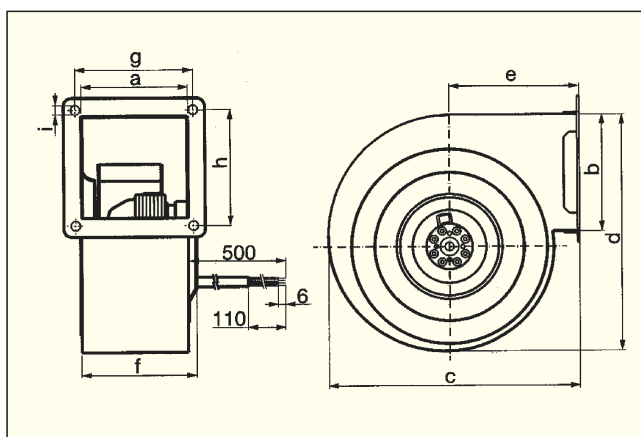
Motor

230V, 50Hz single-phase asynchronous external rotor motor with built-in automatic thermal protection overload switch. Enclosure IP44, insulation class B.

Wiring diagram, see page 236.

Dimensions in mm

Type	a	b	c	d	e	f	g	h	i
SEM-RF-2C-120/062	77	69	175	180	88	99	94	82	6
SEM-RF-2C-133/062	77	69	175	180	88	101	94	82	6
SEM-RF-2C-146/062	96	94	224	244	103	98	115	105	7
SEM-RF-2C-160/062	96	94	224	244	103	98	115	105	7
SEM-RF-4C-160/062	96	94	224	244	103	98	115	105	7
SEM-RF-4C-180/092	130	135	295	362	135	150	163	168	7

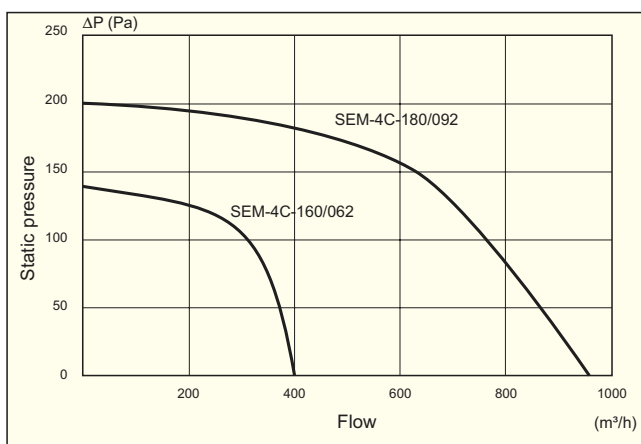
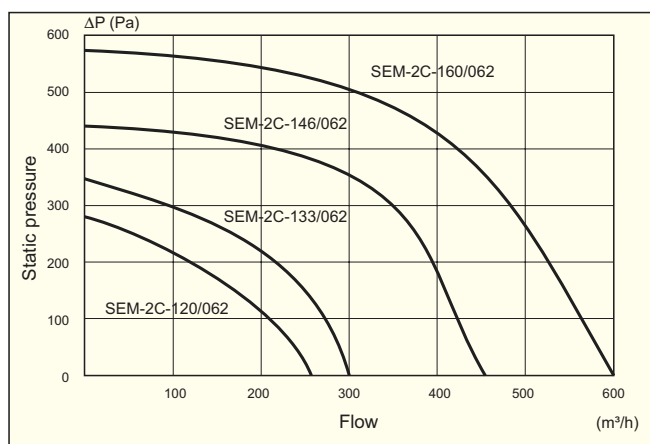


Data

Type	Speed rpm	Capacitor μF	Motor power W	Maximum current A	Maximum duty m³/h	Sound level dB (A)*	Maximum temperature °C	Weight kg	Article number
SEM-2C-120/062	2300	2	75	0,35	270	65	75	1,9	119 001 011
SEM-2C-133/062	1650	2	100	0,47	300	62	40	1,9	119 001 015
SEM-2C-146/062	1650	3	145	0,66	460	60	55	3,7	119 001 021
SEM-2C-160/062	2100	6	260	1,18	600	71	40	4,0	119 001 025
SEM-4C-160/062	1320	2	70	0,33	405	66	60	3,0	119 001 031
SEM-4C-180/092	1275	6	160	0,75	950	67	40	6,5	119 001 035

* distance 1m

Performance curves





Construction

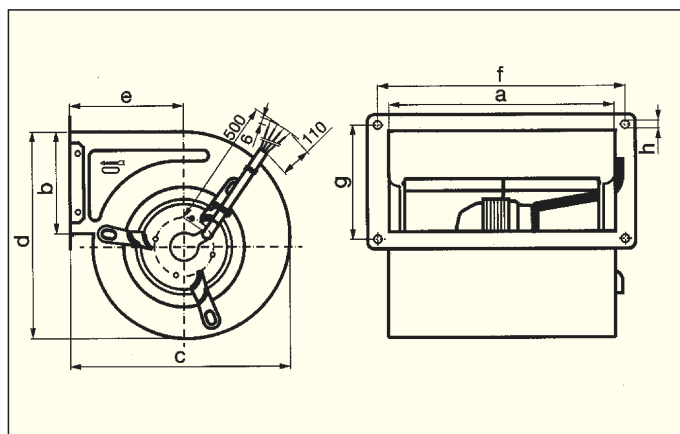
Double inlet radial fan. Impellers with forward curved blades in galvanized steel sheet.

Motor

220–240V, 50Hz single-phase external rotor motor with capacitor, suitable for variable speed control. Enclosure IP44, insulation class B. Special voltage or frequency, insulation class and enclosure, may be supplied on request. Wiring diagram, see page 236.

Dimensions in mm

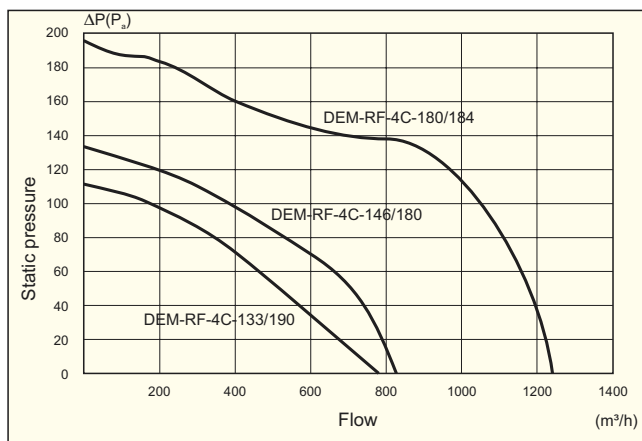
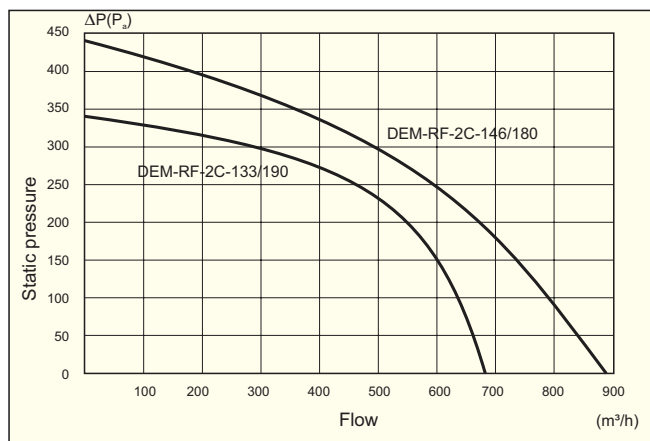
Type	a	b	c	d	e	f	g	h
DEM-RF-2C-133/190	217	70	171	180	88	254	126	5,5
DEM-RF-2C-146/180	220	100	200	205	100	254	126	5,5
DEM-RF-4C-133/190	220	100	200	205	100	254	126	5,5
DEM-RF-4C-146/180	220	100	200	205	100	254	126	5,5
DEM-RF-4C-180/184	225	120	265	260	145	287	126	7



Data

Type	Speed rpm	Capacitor μF	Motor power W	Maximum current A	Maximum duty m³/h	Sound level* dB (A)	Maximum tempera- ture °C	Weight kg	Article number
DEM-RF-2C-133/190	1750	5,0	185	0,82	685	58	45	3,52	119 001 013
DEM-RF-2C-146/180	1450	5,0	220	0,95	875	57	35	4,12	119 001 023
DEM-RF-4C-133/190	1300	2,5	80	0,40	770	56	75	3,20	119 002 011
DEM-RF-4C-146/180	1260	3,0	108	0,46	825	56	70	3,25	119 002 025
DEM-RF-4C-180/184	1250	5,0	200	0,90	1250	60	60	5,00	119 002 031

* distance 1m





Construction

Double inlet centrifugal fan. Forward curved impellers manufactured in galvanized steel sheet. Casing in galvanized steel sheet with easy dismountable motor brackets.

Motor

220–240V, 50Hz single-phase asynchronous motor with capacitor, resp. 220–240/380–420V, 50Hz three-phase asynchronous motor. Enclosure IP10, insulation class B, built-in thermal overload protection. Special voltage or frequency, insulation class and enclosure may be supplied on request.

Data

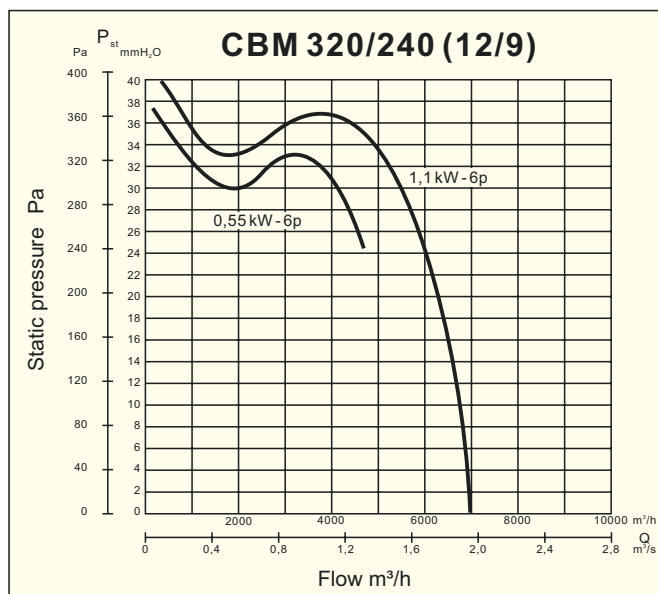
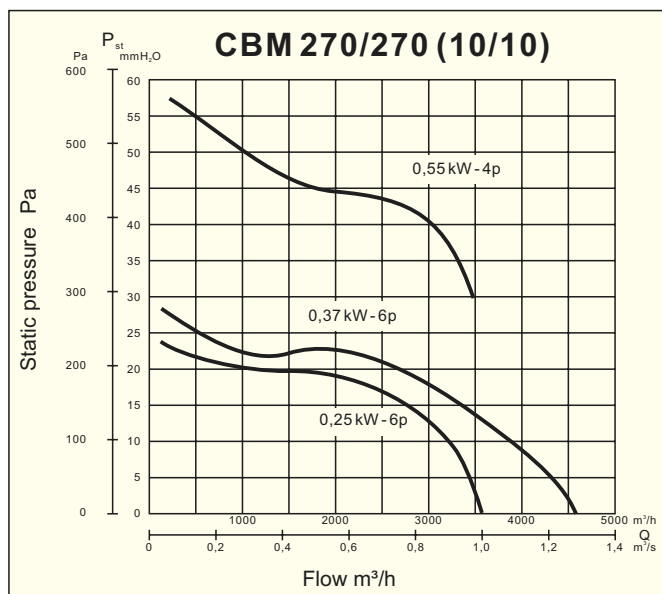
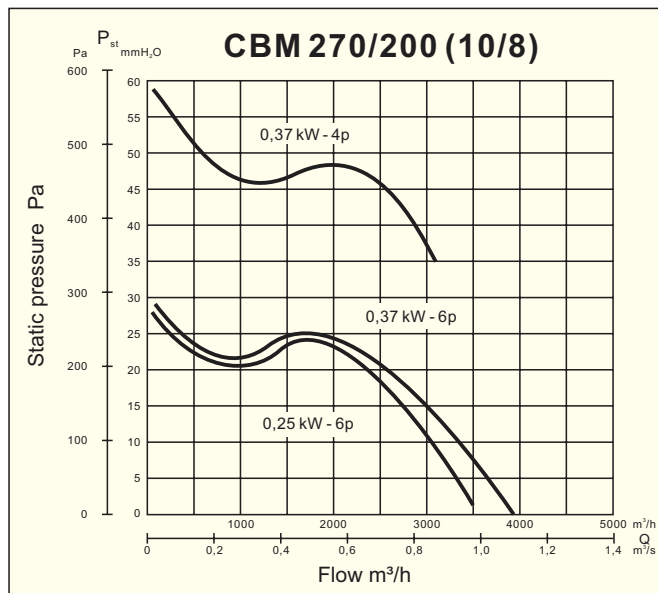
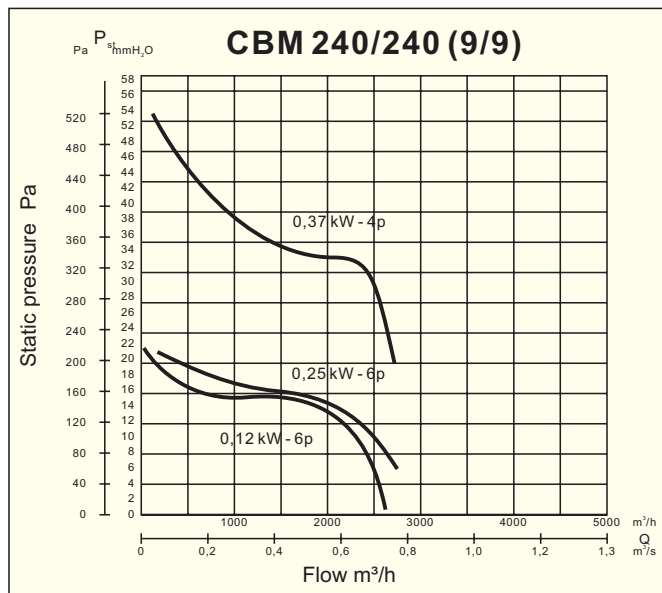
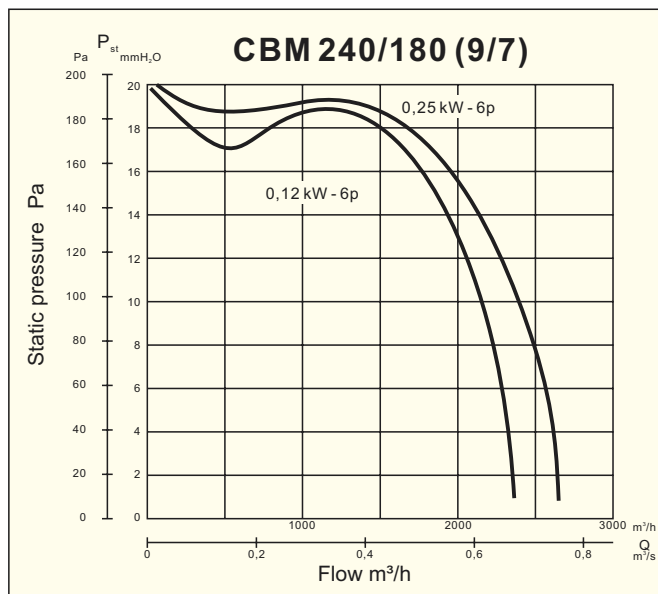
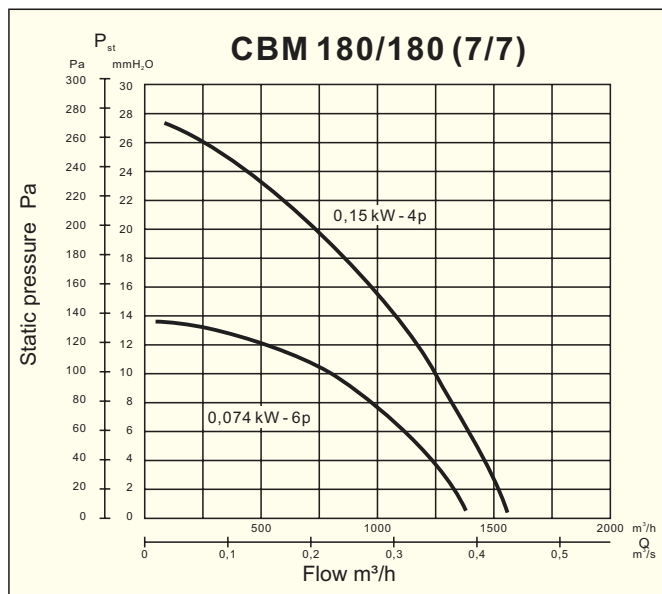
Type	Speed rpm	Motor power kW	Maximum current A	Voltage V	Maximum duty m ³ /h	Sound level dB (A)	Weight kg	Article number
CBM-180/180	960	0,074	1,0	230	1400	56	9	112 500 111
	1550	0,15	1,5	230	1565	59	10	112 500 151
CBM-240/180	900	0,12	2,1	230	2430	63	15	112 500 201
	920	0,25	2,5	230	2680	65	16	112 500 251
CBM-240/240	850	0,12	2,1	230	2500	61	16	112 500 301
	900	0,25	2,75	230	2900	63	17	112 500 351
	1550	0,37	3,8	230	2650	65	19	112 500 011
CBM-270/200	900	0,25	3,0	230	3480	65	18	112 500 401
	970	0,37	4,0	230	4000	68	19	112 500 051
	1300	0,37	5,0	230	3150	66	21	112 500 451
CBM-270/270	900	0,25	3,0	230	3550	63	20	112 500 501
	900	0,37	4,0	230	4500	67	21	112 500 551
	1400	0,55	5,9	230	3540	66	23	112 500 601
CBM-320/240	900	0,55	5,8	230	4700	67	28	112 500 651
	900	1,10	4,2	400	7000	75	28	112 500 701
CBM-320/320	900	0,55	5,8	230	5250	66	30	112 500 751
	900	1,10	4,0	400	7900	78	30	112 500 801
CBM-380/380	920	2,20	8,0	400	11900	76	45	112 500 811

Accessories

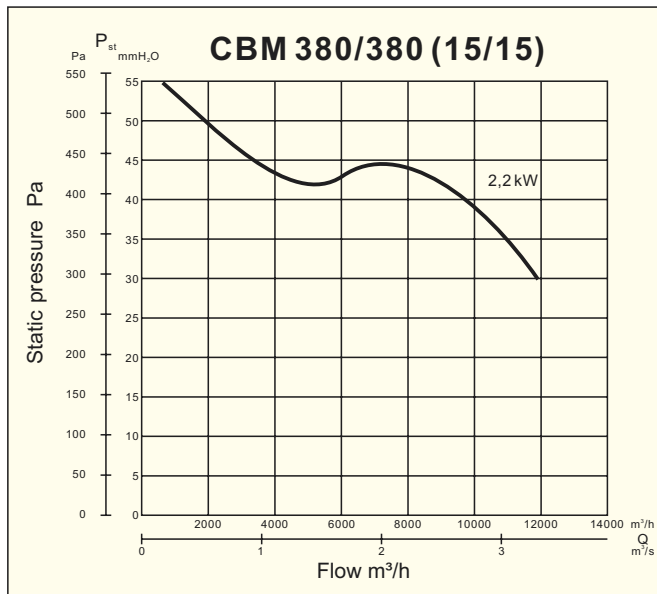
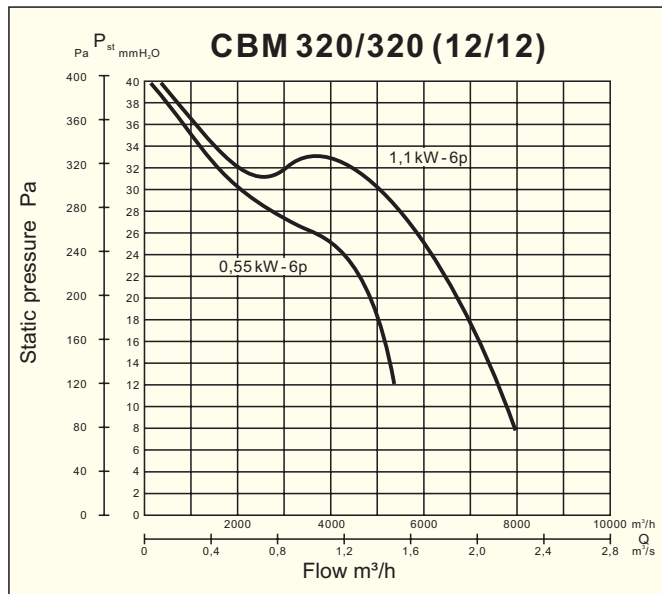


Mounting base

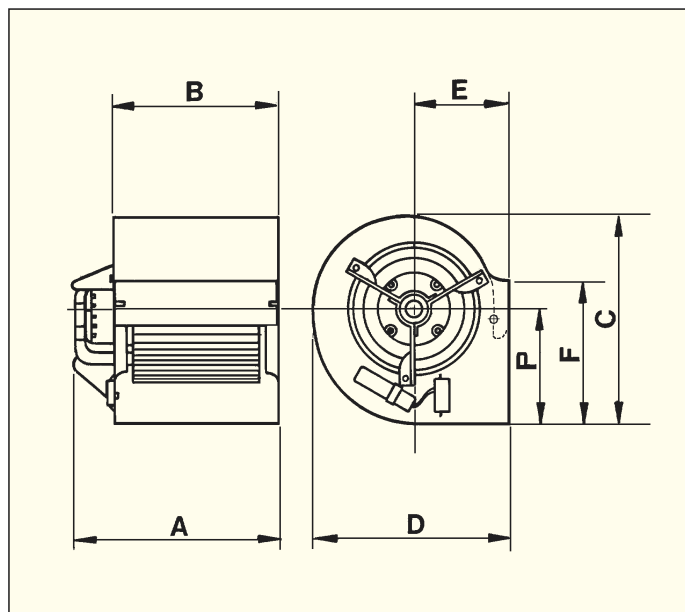
Performance curves



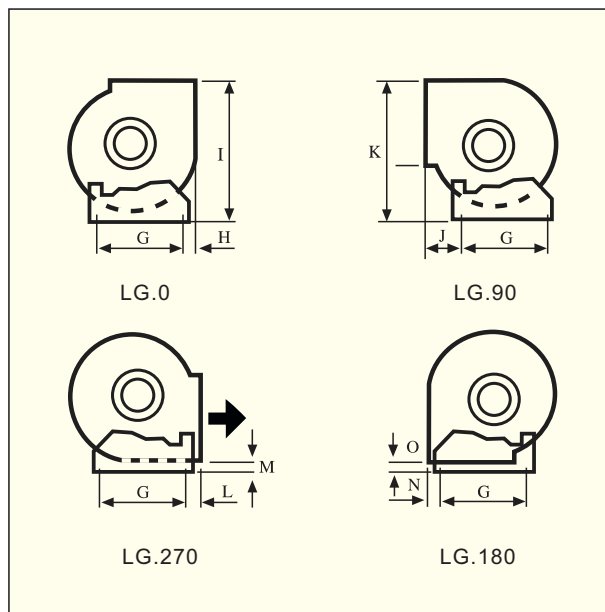
Performance curves



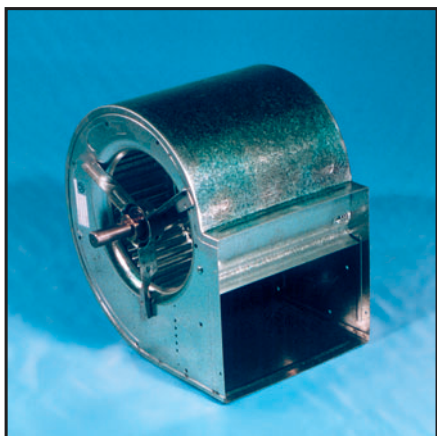
Dimensions in mm



Handing positions



Type	A	B	C	D	E	F	G	H	I	J	K	L	M	N	O	P
CBM-180/180	269	233	328	309	145	210	225	49	314	57	333	28	15	10	6	188
CBM-240/180	289	234	393	381	183	256	298	33	383	67	393	67	40	33	7	217
CBM-240/240	345	300	393	381	183	256	298	33	383	67	393	67	40	33	7	217
CBM-270/200	344	265	440	421	202	288	339	40	424	67	444	67	38	40	7	246
CBM-270/270	379	334	440	421	202	288	339	40	424	67	444	67	38	40	7	246
CBM-320/240	389	309	515	490	230	343	407	52	489	55	517	55	35	52	9	289
CBM-320/320	433	395	515	490	230	343	407	52	489	55	517	55	35	52	9	289
CBM-380/380	630	471	625	580	264	404	-	-	-	-	-	-	-	-	-	347



Construction

Double inlet centrifugal fan for belt drive. Forward curved impellers manufactured in galvanized steel sheet. Casing in galvanized steel sheet with easy dismountable motor brackets.

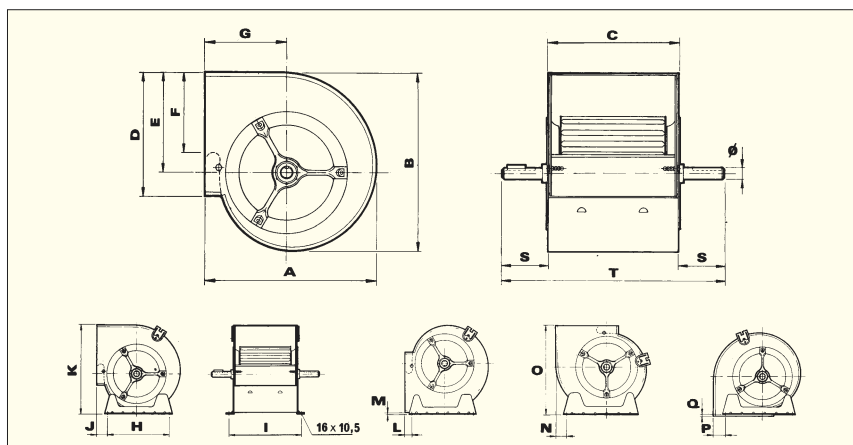
Accessories

Mounting base

Data

Type	Speed rpm	Maximum duty m ³ /h	Weight kg	Article number
CBP-7/7 (180/180)	2400	2800	7	112 501 011
CBP-9/7 (240/180)	2400	6000	10	112 501 021
CBP-9/9 (240/240)	2200	7000	11	112 501 031
CBP-10/8 (270/200)	1800	6500	12	112 501 041
CBP-10/10 (270/270)	1800	7000	13	112 501 051
CBP-12/9 (320/240)	1600	8000	16	112 501 061
CBP-12/12 (320/320)	1400	10000	17	112 501 071
CBP-15/15 (380/380)	1300	16000	22	112 501 081
CBP-18/18 (460/460)	1000	22000	33	112 501 091

Dimensions in mm



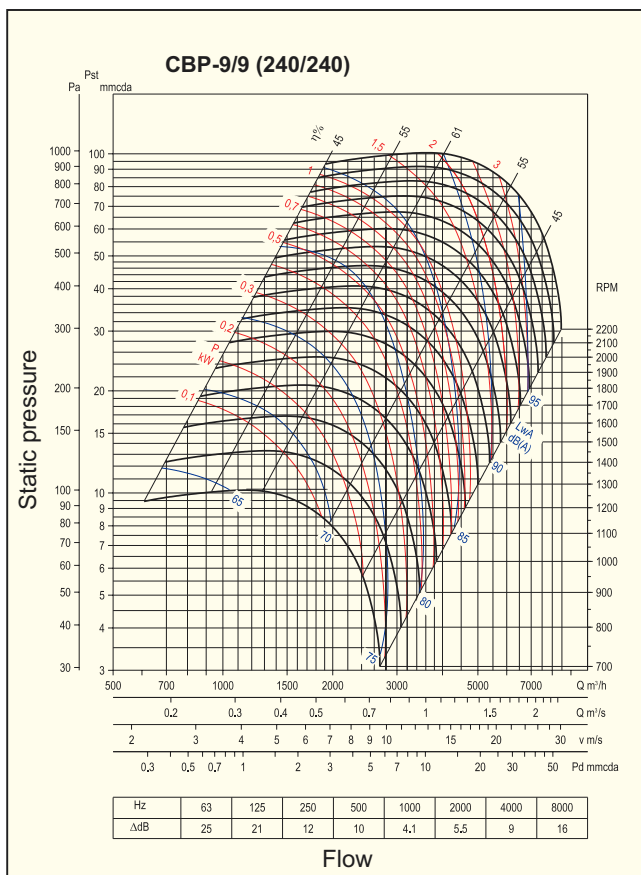
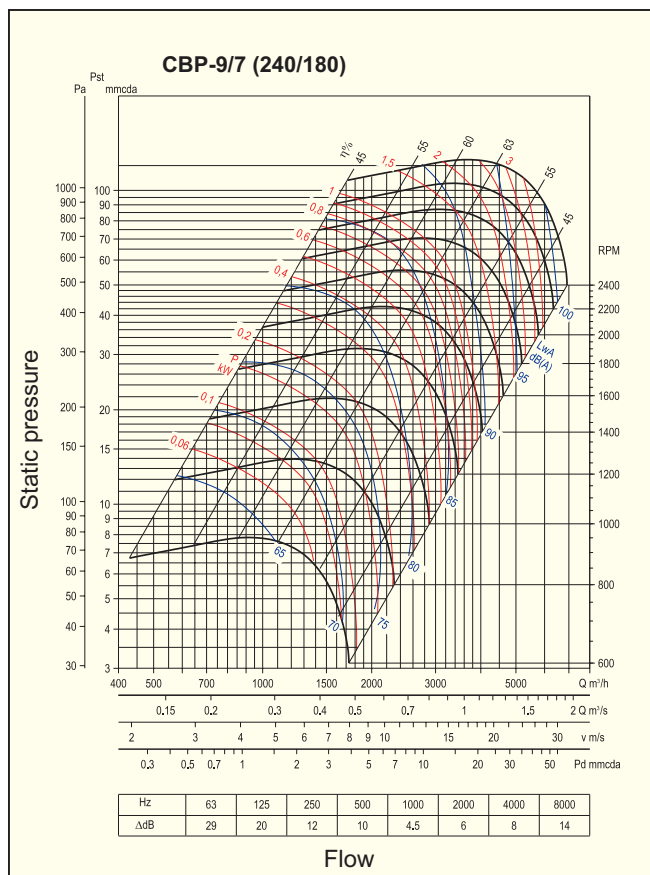
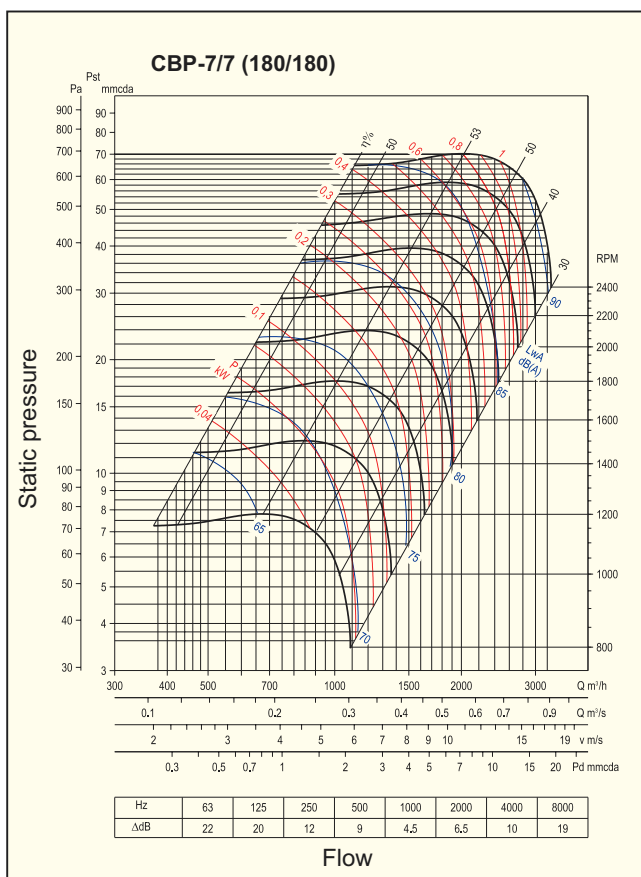
Type	A	B	C	D	E	F	G	H	I	J	K	L	M	N	O	P	Q	S	T	Ø
CBP-7/7 (180/180)	307	321	232	222	180	148	146	227	259	18	328	18	4	33	310	17	4	49	330	20
CBP-9/7 (240/180)	380	392	232	260	218	180	184	297	259	67	395	67	36	33	383	35	7	79	390	20
CBP-9/9 (240/240)	380	392	300	260	218	180	184	297	327	67	395	67	36	33	383	35	7	60	420	20
CBP-10/8 (270/200)	422	441	266	289	247	213	201	339	293	67	448	65	38	38	423	39	7	62	390	20
CBP-10/10 (270/270)	422	441	333	289	247	213	201	339	360	67	448	65	38	38	423	39	7	63,5	460	20
CBP-12/9 (320/240)	493	524	311	341	293	240	229	407	338	67	530	70	38	38	499	42	7	59,5	430	25
CBP-12/12 (320/320)	493	524	396	341	293	240	229	407	423	67	530	70	38	38	499	42	7	70	536	25
CBP-15/15 (380/380)	573	613	473	403	343	270	267	494	500	64	624	69	38	44	576	48	7	71	615	25
CBP-18/18 (460/460)	685	743	556	479	418	290	314	608	583	36	753	52	42	89	689	94	7	68	692	25

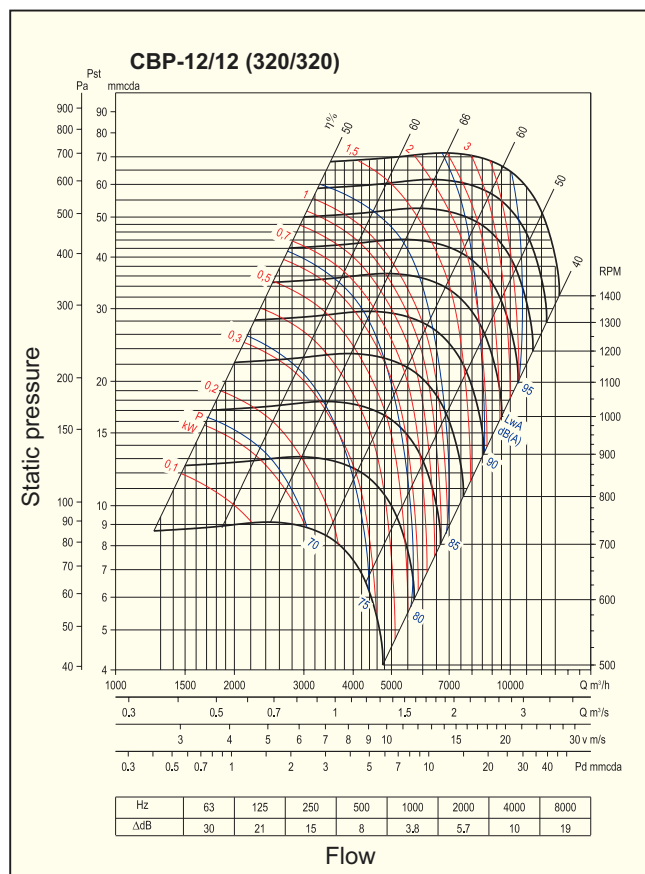
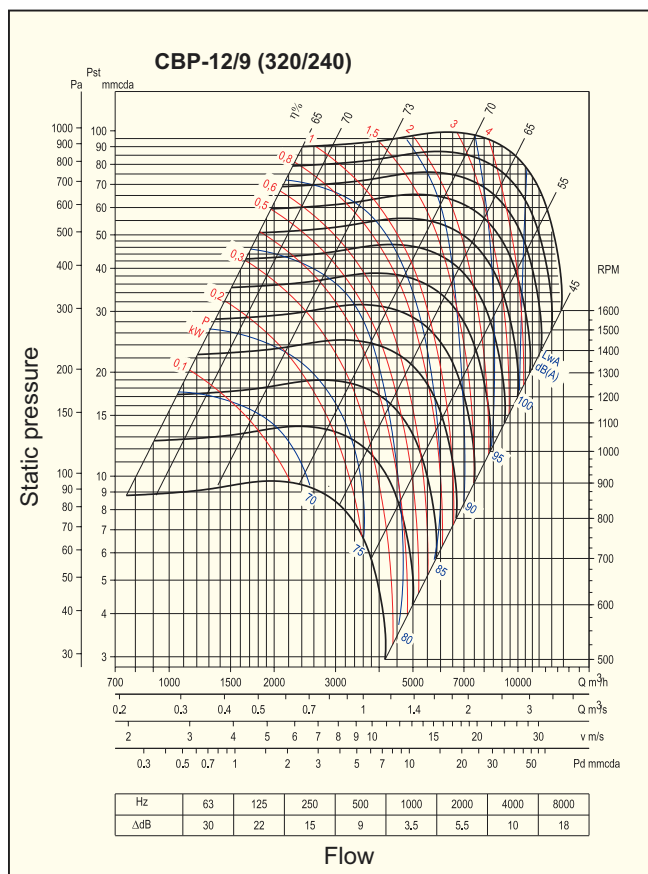
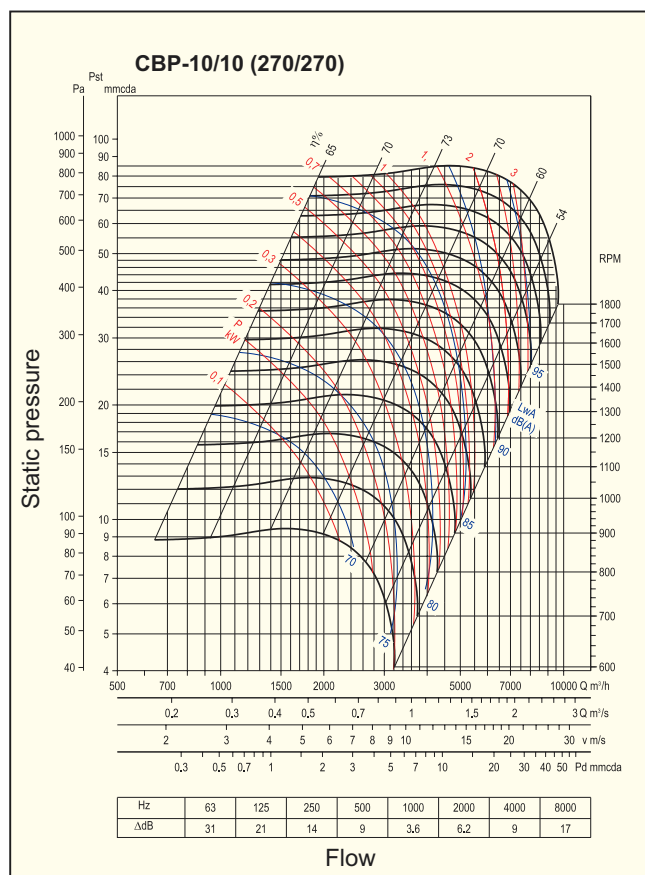
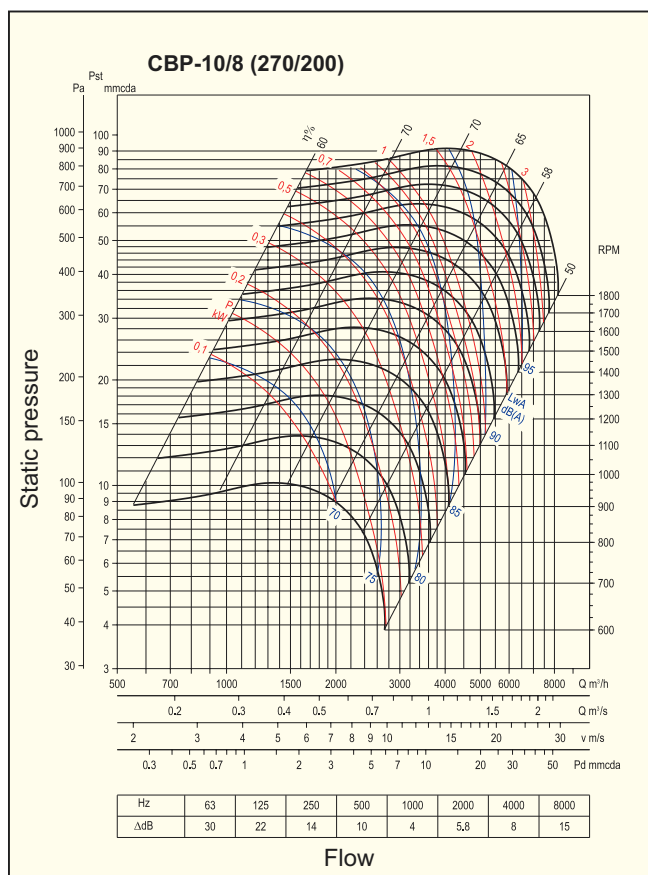
Accessories

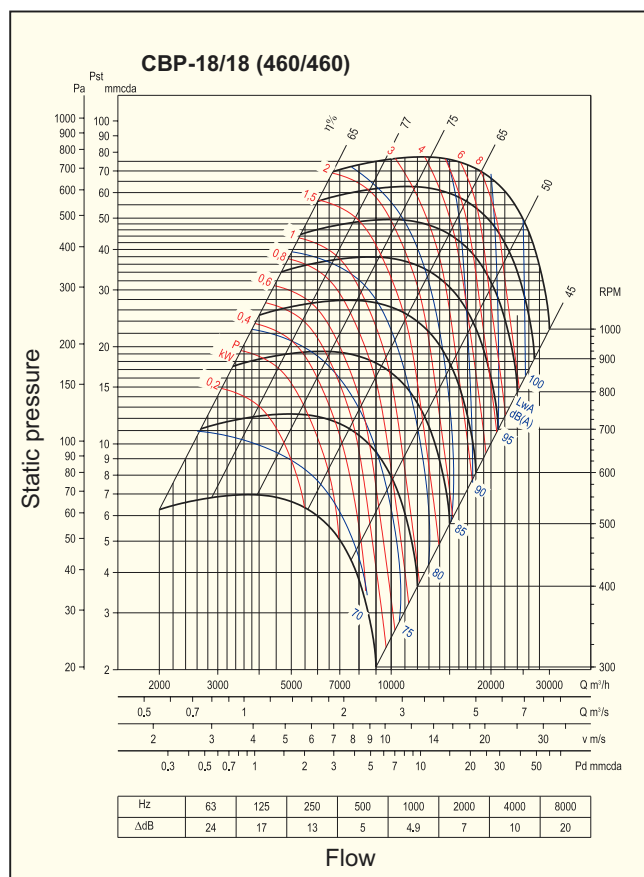
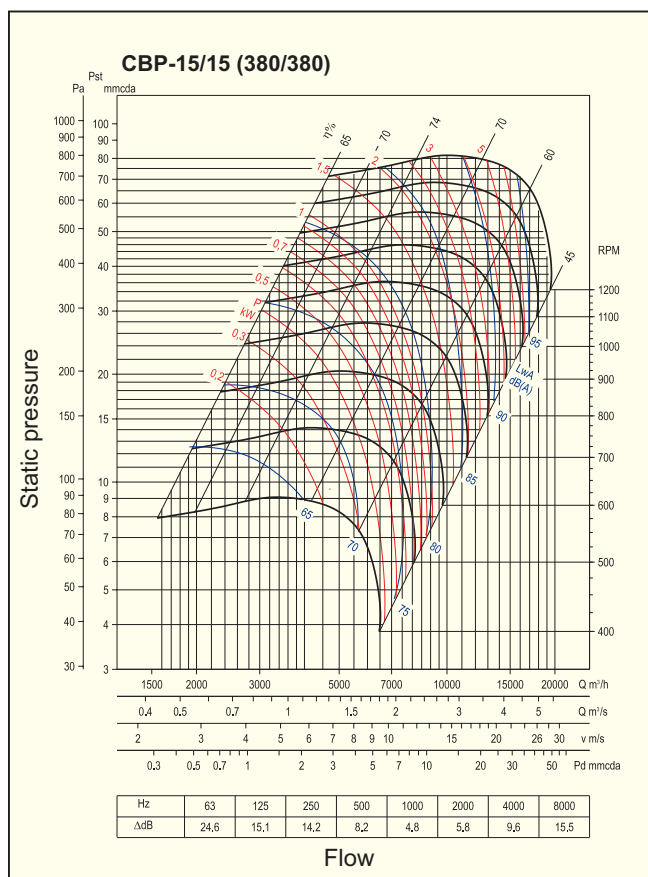


Mounting base

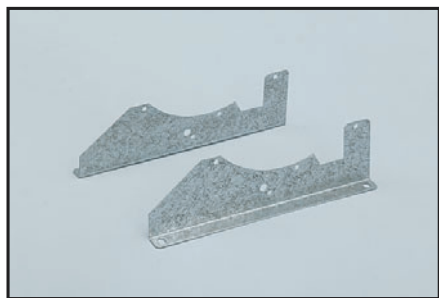
Performance curves





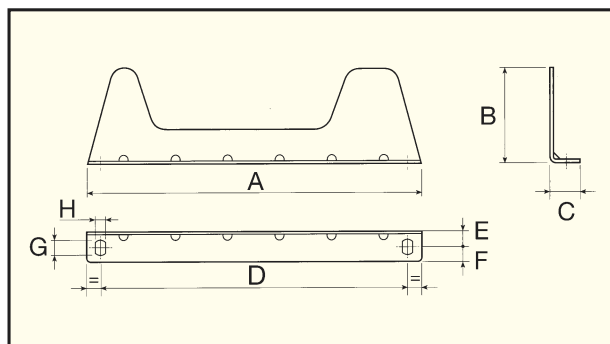


Mounting base

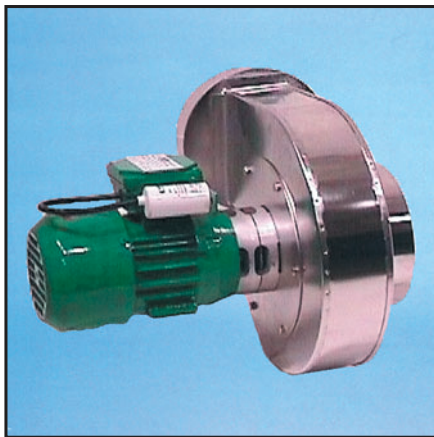


Type	Size
CBP-7/7 (180/180)	180
CBP-9/7 (240/180)	240
CBP-9/9 (240/240)	240
CBP-10/8 (270/200)	270
CBP-10/10 (270/270)	270

Type	Size
CBP-12/9 (320/240)	320
CBP-12/12 (320/320)	320
CBP-15/15 (380/380)	380
CBP-18/18 (460/460)	460



Type	A	B	C	D	E	F	G	H
CBP-7/..(180/..)	254	47	26	227	13,5	12,5	16	10,5
CBP-9/..(240/..)	325	102	26	297	13,5	12,5	16	10,5
CBP-10/..(270/..)	363	102	26	339	13,5	12,5	16	10,5
CBP-12/..(320/..)	434	144	26	407	13,5	12,5	16	10,5
CBP-15/..(380/..)	521	164	26	494	13,5	12,5	16	10,5
CBP-18/..(460/..)	635	186	26	608	13,5	12,5	16	10,5



Construction

Single inlet direct driven centrifugal fan with spiral formed casing of stainless acid proof steel. Impeller with forward curved blades of stainless acid proof steel. Temperature barrier allows max. temperature of 180°C.

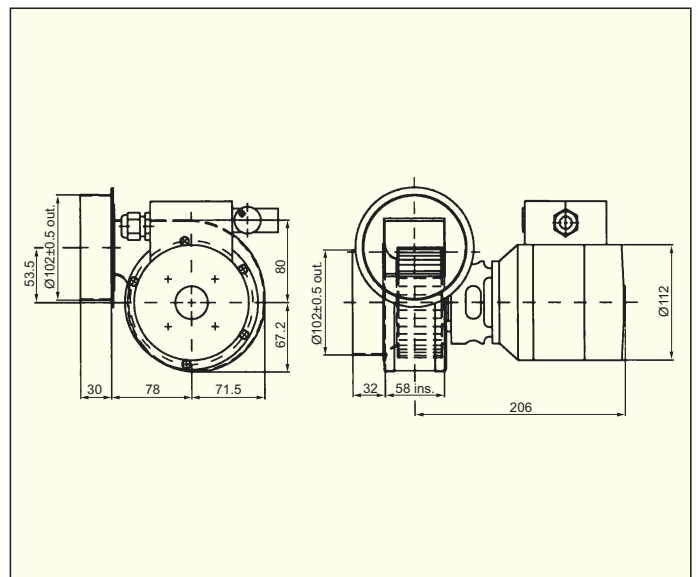
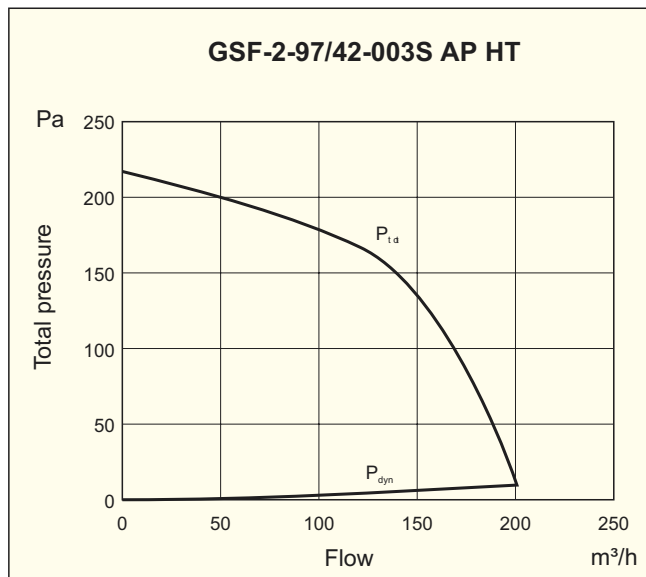
Motor

220-240/380-420V, 50Hz (380-420/660-690V over 3kW) three-phase asynchronous motor or 220-240V, 50Hz single-phase asynchronous motor with capacitor, in accordance with IEC72 and IEC43-1. Insulation class F, enclosure IP55. Special voltage or frequency, improved enclosure IP65 and explosion proof motor may be supplied on request.

Wiring diagram, see page 235.

Data

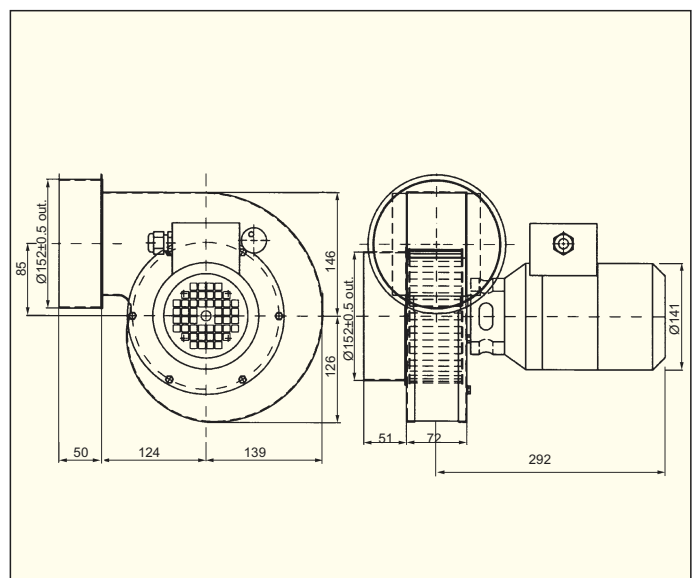
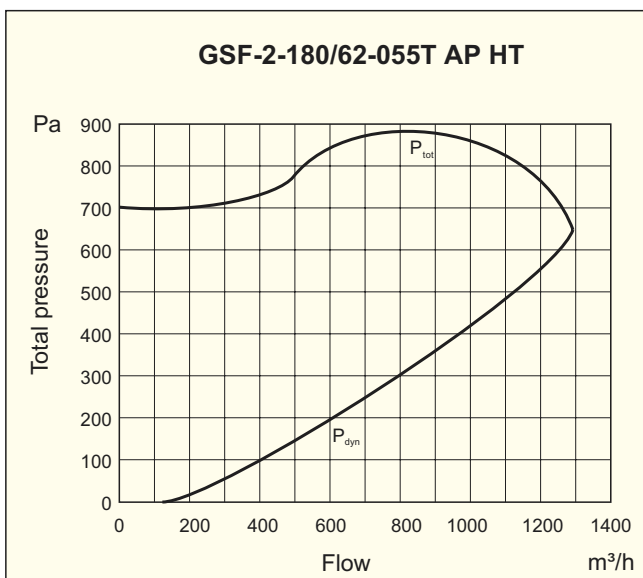
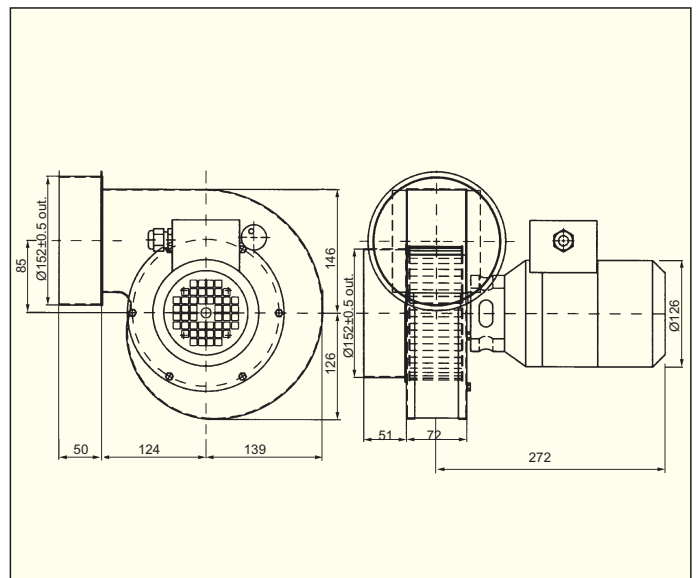
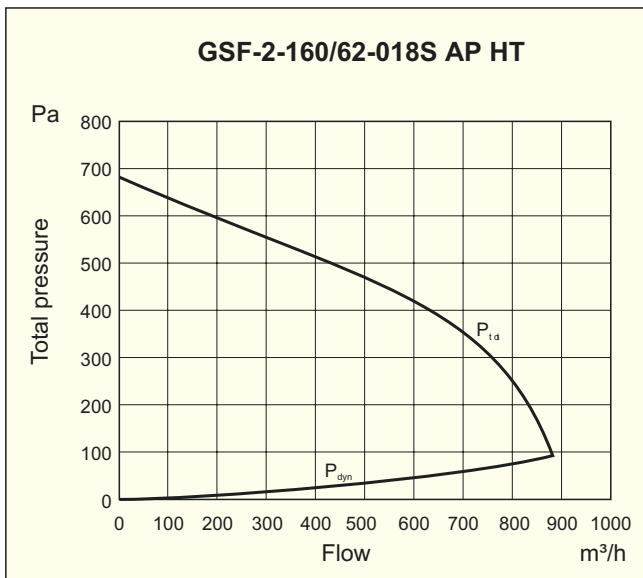
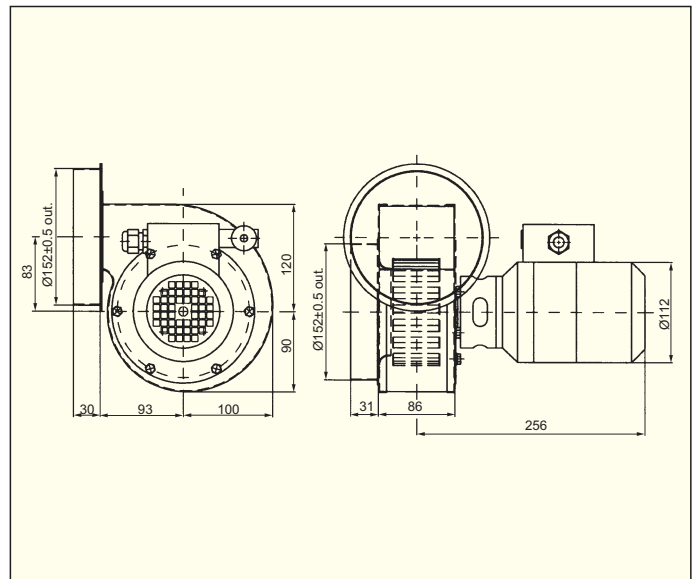
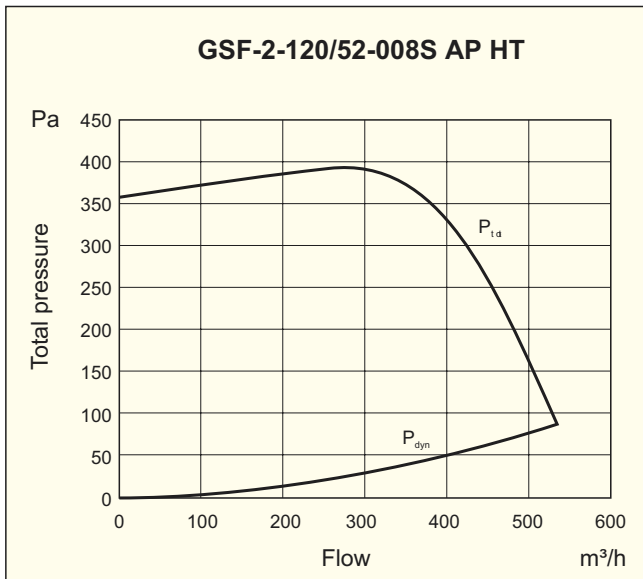
Type	Motor power kW	Voltage V	Maximum current A	Maximum duty m ³ /h	Pressure (max) Pa	Weight kg	Article number
GSF-2- 97/42-003S AP HT	0,03	230	0,40	190	220	7	113 340 880
GSF-2-120/52-008S AP HT	0,08	230	0,75	530	360	8	113 340 920
GSF-2-160/62-018S AP HT	0,18	230	1,50	860	680	9	113 500 040
GSF-2-180/62-055T AP HT	0,55	400	1,35	1280	1050	9,8	113 500 050

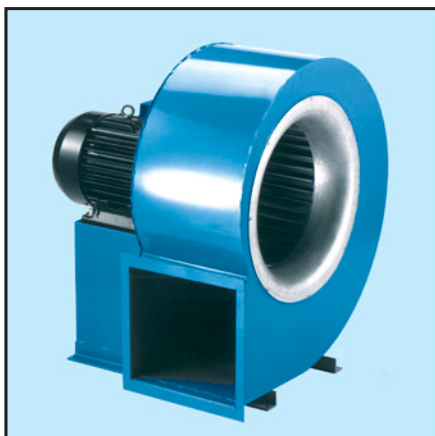


Accessories



Mounting base





Construction

Single inlet direct driven centrifugal fan with spiral formed casing of steel sheet, powder coated RAL5010.

Impeller with forward curved blades (type F) in galvanized steel sheet. V-belt driven fans can be supplied on request.

Motor

220-240/380-420V, 50Hz (380-420/660-690V over 3kW) three-phase or 220-240V, 50Hz single-phase asynchronous motor with capacitor. Enclosure IP55, insulation class F. Special voltage or frequency, insulation class, enclosure IP65, 2-speed motors and explosion proof motors may be supplied on request.

Wiring diagram, see page 235.

Accessories

Wire guards, inlet and outlet fittings.

Data

Type	Motor power	Voltage	Maximum current	Maximum duty	Pressure (max)	Sound level*	Weight	Article number
	kW	V	A	m ³ /h	Pa	dB(A)	kg	
GSF-2-133/62-009T	0,09	230/400	0,53/0,30	490	470	71	4	113 340 950
GSF-2-140/62-025T	0,25	230/400	1,27/0,65	690	530	72	6	113 350 001
GSF-2-140/62-025S	0,25	230	2,20	690	530	72	7	113 350 051
GSF-2-146/62-037T	0,37	230/400	1,80/1,05	730	580	74	7	113 350 151
GSF-2-146/62-037S	0,37	230	2,9	730	580	74	8	113 350 171
GSF-2-160/75-055T	0,55	230/400	2,35/1,35	1250	710	76	8	113 350 201
GSF-2-160/75-055S	0,55	230	4,0	1250	710	76	10	113 350 251
GSF-2-180/85-075T	0,75	230/400	3,10/1,70	1050	870	78	8	113 350 301
GSF-2-180/85-075S	0,75	230	4,9	1050	870	78	10	113 350 311
GSF-2-180/85-110T	1,10	230/400	4,45/2,45	1400	870	78	9	113 350 351
GSF-2-180/85-110S	1,10	230	7,1	1400	870	78	11	113 350 361
GSF-6-450/203-400T	4,00	400/690	9,00/5,20	9500	750	80	105	113 351 551
GSF-6-450/203-550T	5,50	400/690	12,0/6,95	11700	750	80	115	113 351 552

* - in the middle of the performance curve.

Accessories

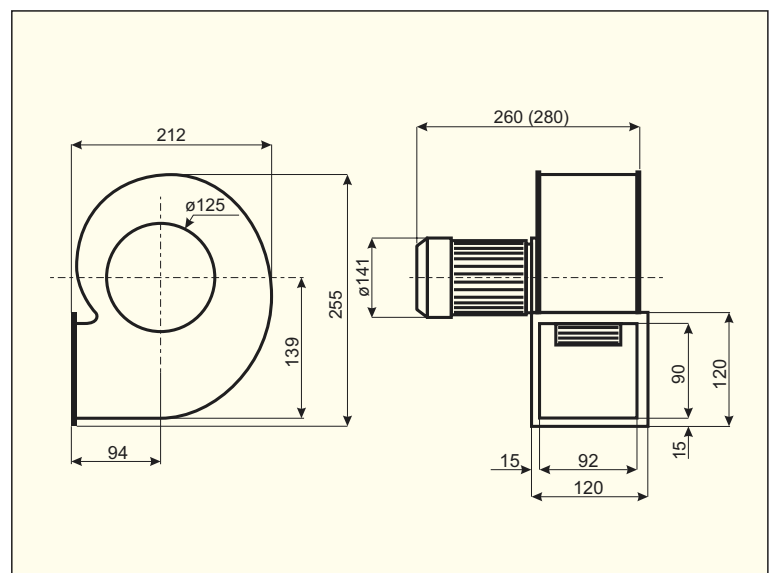
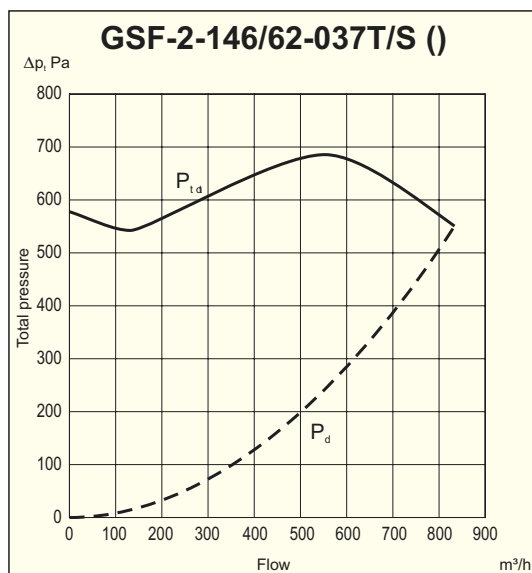
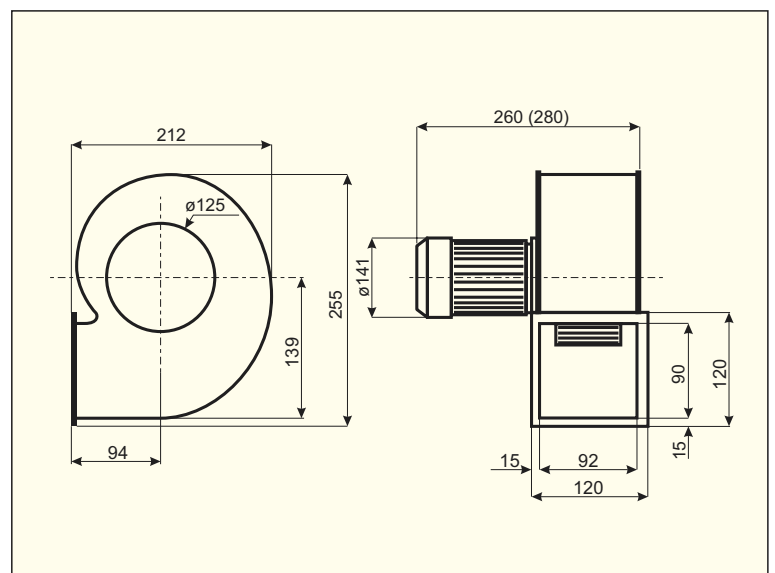
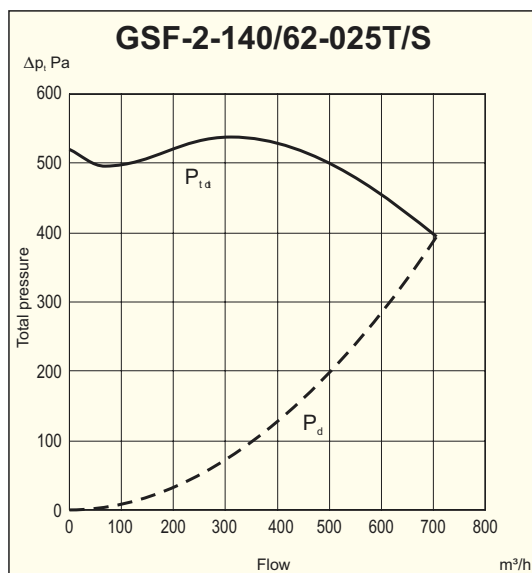
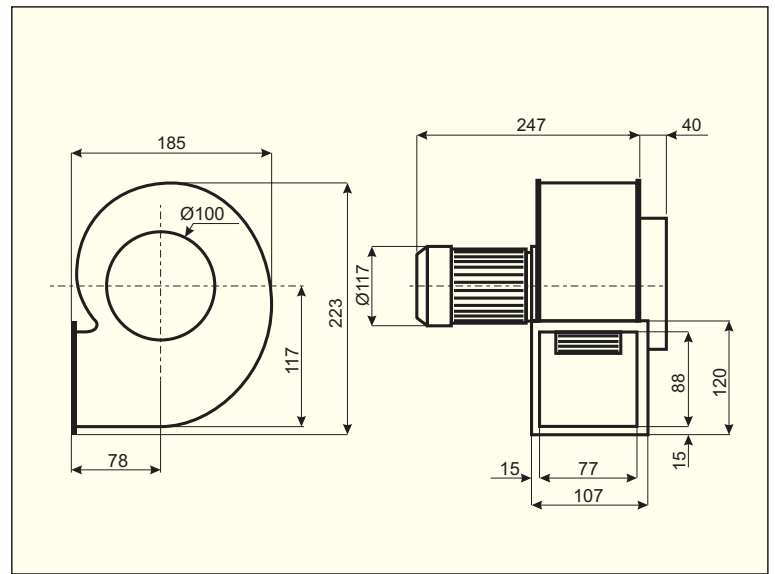
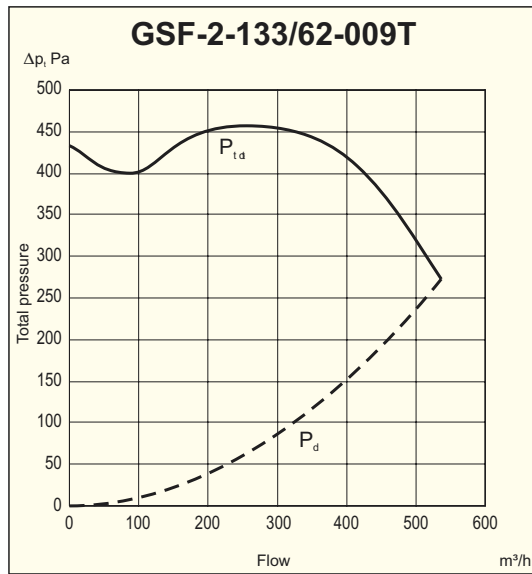


Protection guard outlet

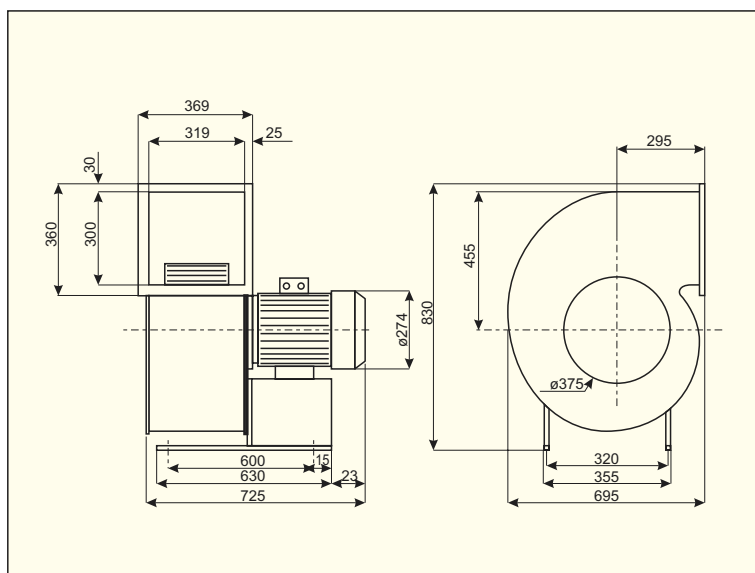
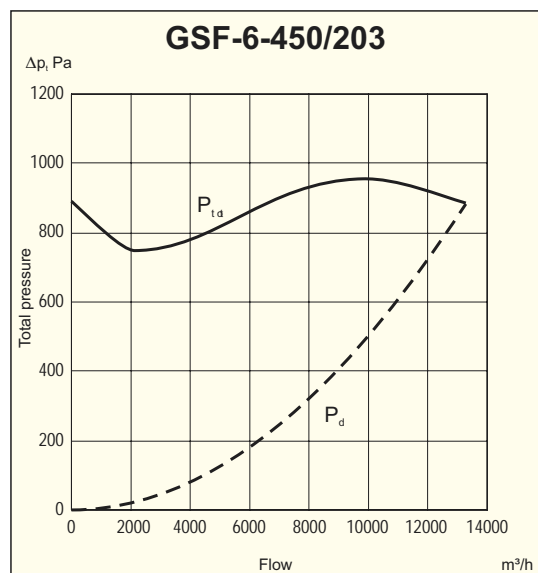
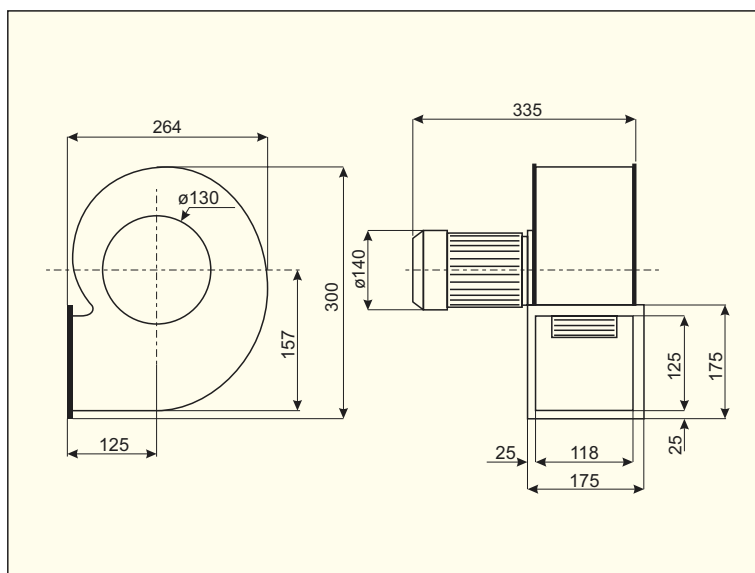
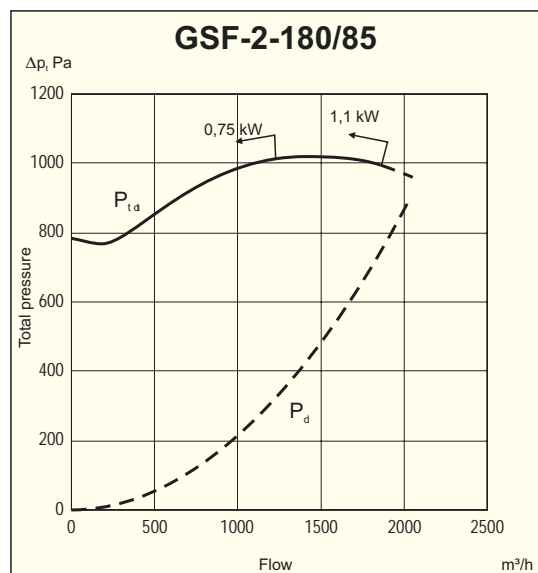
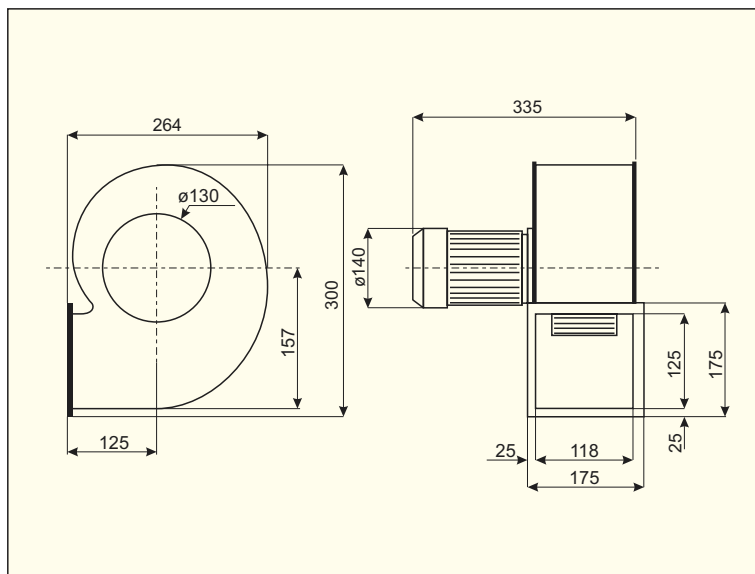
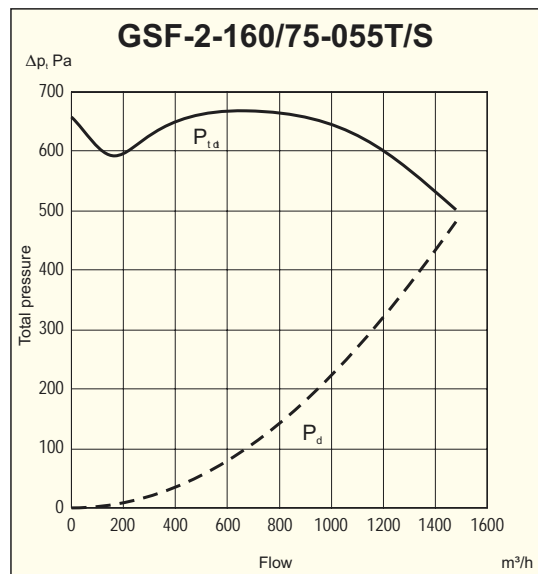


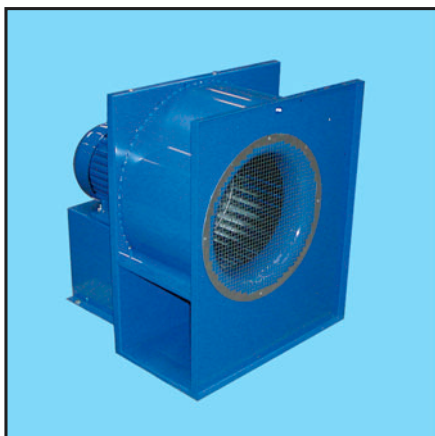
Connector outlet

Performance curves



Performance curves





Construction

Single inlet direct driven centrifugal fan with rectangular formed casing of steel sheet, powder coated RAL5010.

Impeller with forward curved blades (type F) in galvanized steel sheet. V-belt driven fans can be supplied on request.

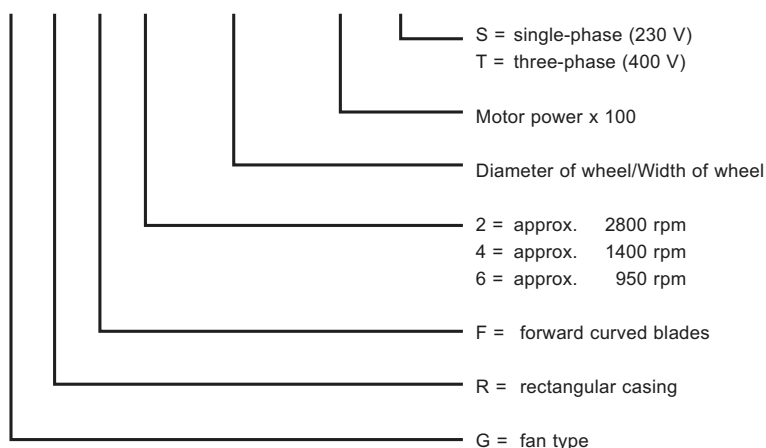
Motor

220-240/380-420V, 50Hz (380-420/660-690V above 3kW) three-phase asynchronous motor. Enclosure IP55, insulation class F. Special voltage or frequency, insulation class, enclosure IP65, 2-speed motors and explosion proof motors can be supplied on request.

Wiring diagram, see page 235.

Model numbering system

G R F - 2 - 200/74 - 150 T



Data

Type	Motor power kW	Speed rpm	Maximum current A	Voltage V	Maximum duty m³/h	Sound pressure level dB (A)	Weight kg	Article number
GRF-2-200/ 74-110T	1,10	2800	4,3/2,5	230/400 Y	2000	73	13	113 350 451
GRF-2-200/ 74-150T	1,50	2800	3,40	400 Y	3150	89	15	113 350 460
GRF-2-224/104-220T	2,20	2800	8,0/4,6	230/400	2600	76	23	113 350 501
GRF-2-224/104-300T	3,00	2800	6,50	400 Y	3800	92	25	113 350 511
GRF-2-280/103-550T	5,50	2800	10,0/6,50	400/690	4400	86	65	113 350 651
GRF-2-280/103-750T	7,50	2800	14,00	400 Δ	6200	99	70	113 350 671
GRF-4-280/103-075T	0,75	1400	3,3/1,90	230/400 Y	2600	79	19	113 351 001
GRF-4-280/103-075S	0,75	1400	5,10	230	2600	70	21	113 351 051
GRF-4-280/103-110T	1,10	1400	4,6/2,7	230/400 Y	2900	71	22	113 351 061
GRF-4-315/143-220T	2,20	1400	9,0/4,80	230/400 Y	5400	72	36	113 351 101
GRF-4-400/183-550T	5,50	1400	11,3/6,5	400/690	9300	92	88	113 351 161
GRF-4-400/183-750T	7,50	1400	14,40	400 Δ	12000	98	88	113 351 171

Accessories



Protection guard outlet

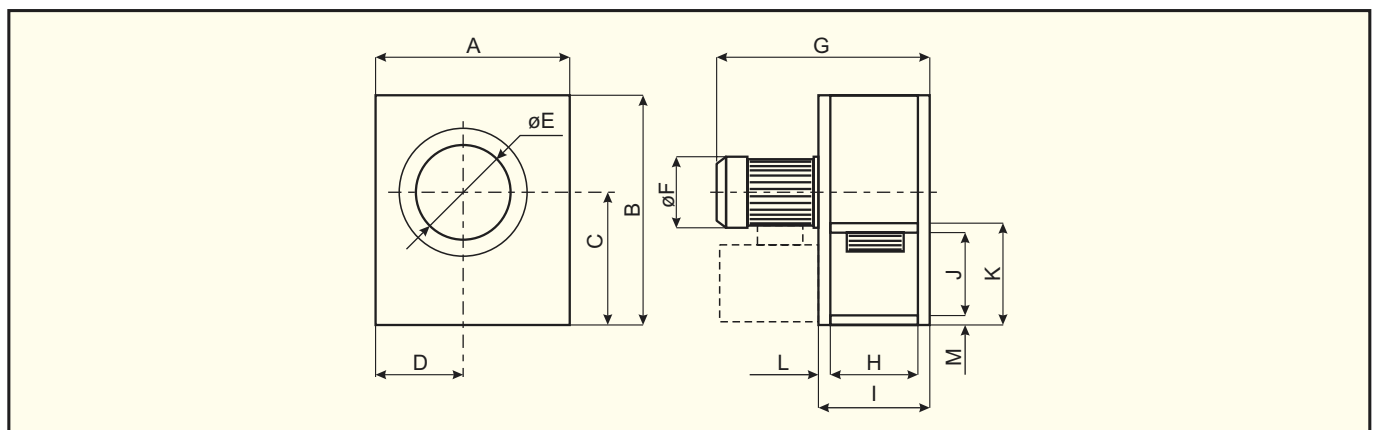


Connector outlet

Dimensions in mm

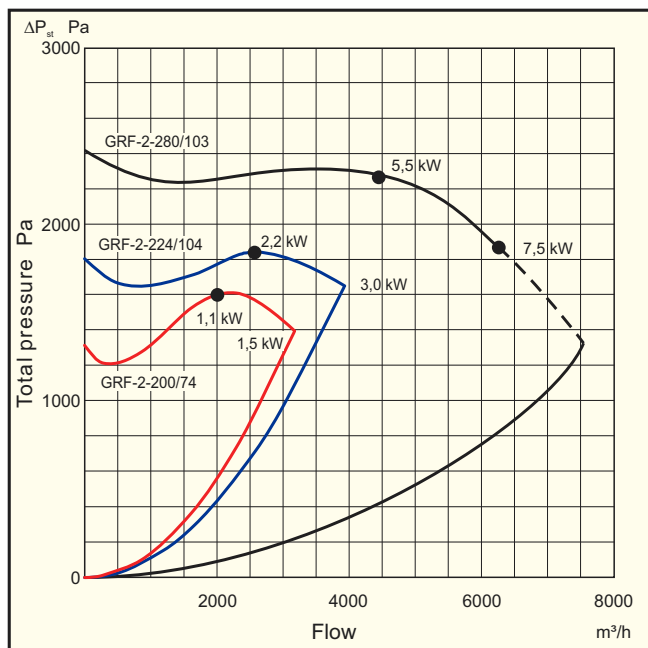
Type	A	B	C	D	E	F	G	H	I	J	K	L	M
GRF-2-200/ 74-150T	335	394	227	141	167	157	383	128	178	138	168	25	15
GRF-2-224/ 104-300T	335	394	227	141	187	178	451	148	198	138	168	25	15
GRF-2-280/103-750T *	410	470	262	180	236	226	570	182	232	160	190	25	15
GRF-4-280/103-075T	410	470	262	180	236	157	437	182	232	160	190	25	15
GRF-4-280/103-075S	410	470	262	180	236	157	437	182	232	160	190	25	15
GRF-4-315/143-220T	500	596	354	211	265	198	575	228	278	246	276	25	15
GRF-4-400/183-750T *	649	764	440	270	334	226	659	289	339	276	306	25	15

Fan with motor stand

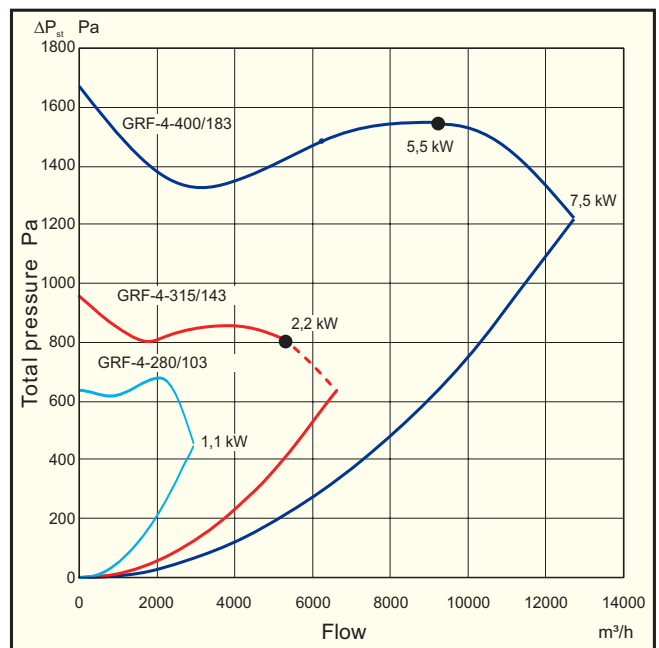


Performance curves

GRF-2



GRF-4





Construction

Single inlet direct driven centrifugal fan with spiral formed casing in cast aluminium. Impellers with forward curved blades type F in galvanized steel sheet. GSFG is as standard delivered with LG design and wire guard on inlet.

Motor

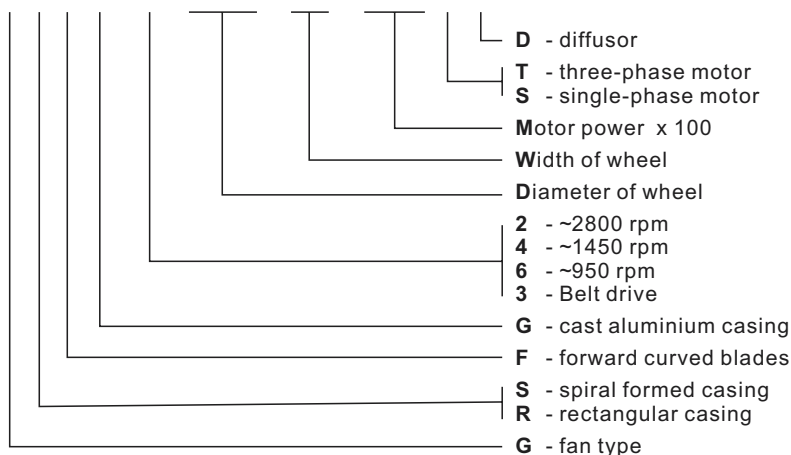
220-240/380-420V, 50Hz (380-420/660-690V above 3kW) three-phase or 220-240V, 50Hz single-phase asynchronous motor with squirrel cage rotor. Enclosure IP55, insulation class F. Special voltage or frequency, insulation class, improved enclosure IP65, 2-speed motors and explosion proof motor can be supplied on request.

Wiring diagram, see page 235.



Model numbering system

GSFG-2-108/42-030T□

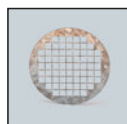


Data

Type	Motor power kW	Voltage V	Maximum current A	Maximum duty m ³ /h	Pressure (max) Pa	Sound level* dB(A)	Weight kg	Article number
GSFG-2-108/42-005T	0,05	230/400	0,37/0,25	190	330	59	3,5	113 500 120
GSFG-2-108/42-003S	0,03	230	0,40	190	330	59	3,9	113 500 125
GSFG-2-133/62-018T	0,18	230/400	1,07/0,55	600	430	69	6,2	113 500 155
GSFG-2-133/62-018S	0,18	230	1,65	600	430	69	6,6	113 500 157
GSFG-2-146/62-025T	0,25	230/400	1,27/0,8	770	630	70	6,5	113 500 160
GSFG-2-146/62-025S	0,25	230	1,93	770	630	70	6,5	113 500 170
GSFG-2-160/75-037T	0,37	230/400	1,76/1,02	1100	750	71	7,5	113 500 181
GSFG-2-160/75-037S	0,37	230	2,90	1110	750	71	9,0	113 500 191
GSFG-2-180/62-055T	0,55	230/400	2,35/1,35	1280	1050	77	8,0	113 500 201
GSFG-2-180/62-055S	0,55	230	4,00	1280	1050	77	10,0	113 500 211
GSFG-2-200/104-220T	2,20	230/240	8,0/4,6	3100	1370	82	28,0	113 500 230
GSFG-2-225/104-220T	2,20	230/400	8,0/4,6	2800	1800	86	29,0	113 500 500
GSFG-2-225/104-300T	3,00	230/400	11,4/6,5	3600	1800	88	31,0	113 500 510
GSFG-2-250/114-550T	5,50	400	11,60	5800	1950	82	58,0	113 500 600

* - in the middle of the performance curve.

Accessories



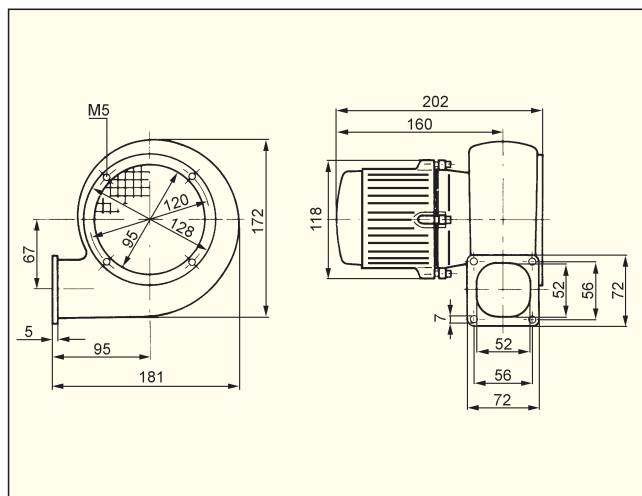
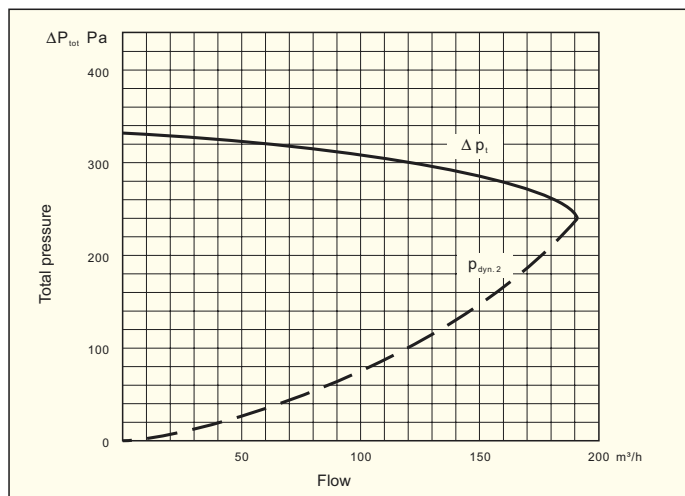
Protection guard inlet



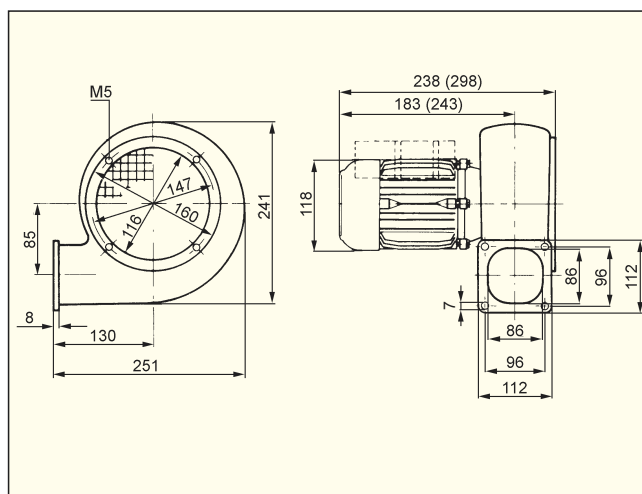
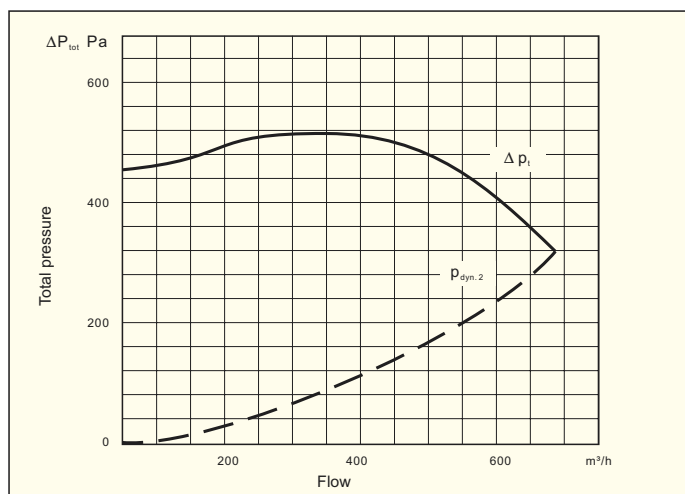
Connector outlet

Performance curves

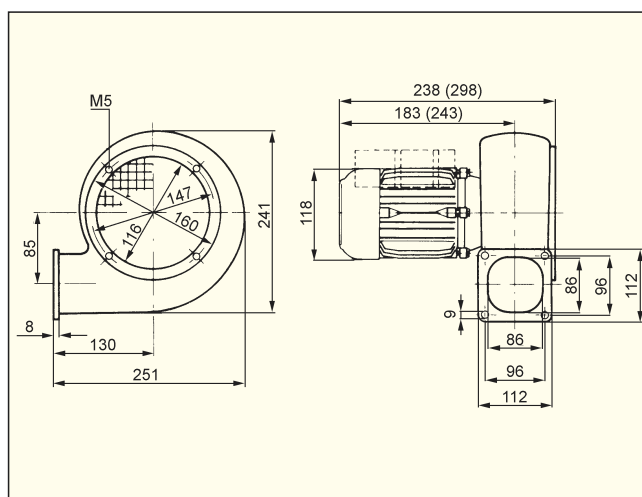
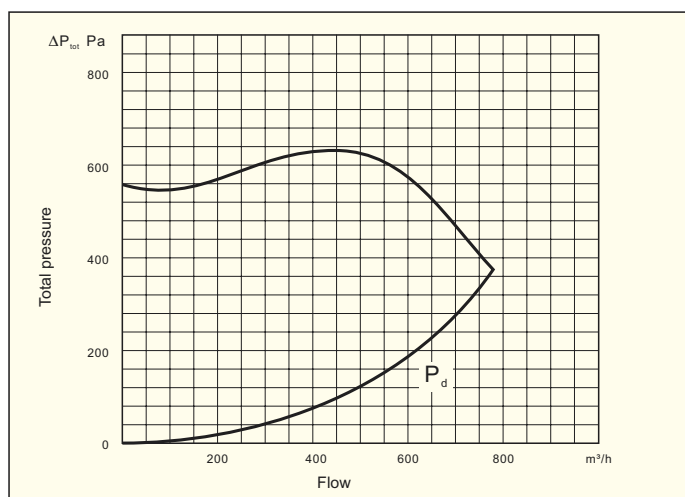
GSFG-2-108/42



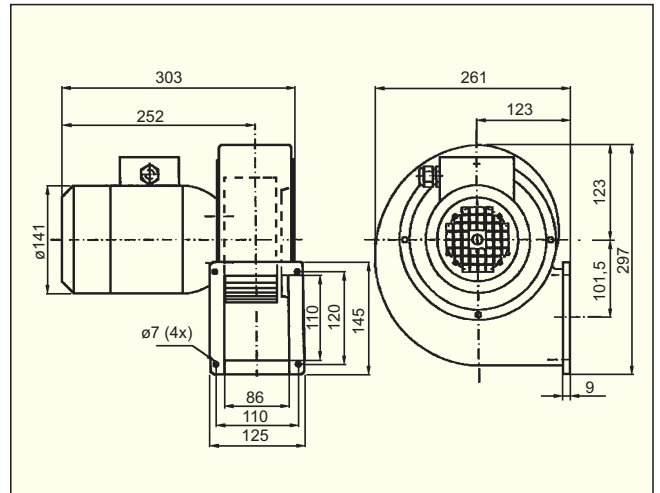
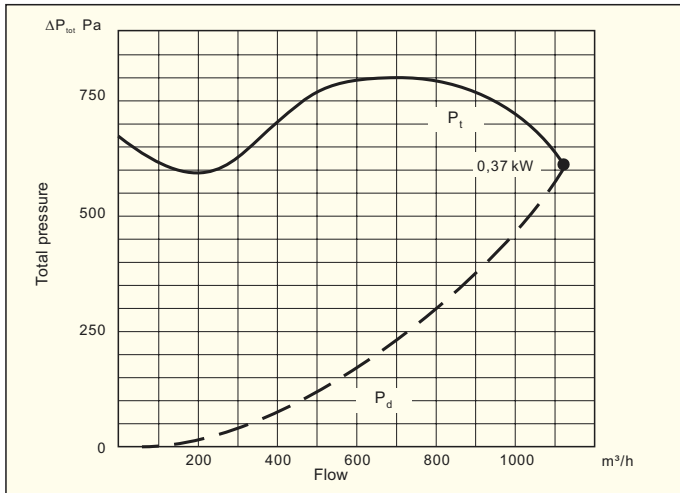
GSFG-2-133/62



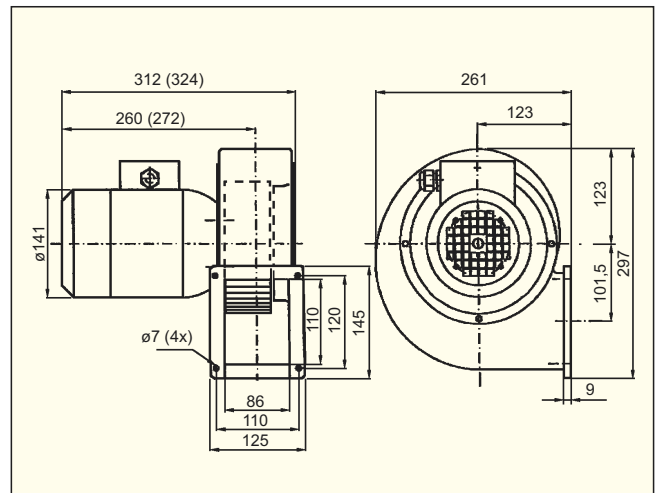
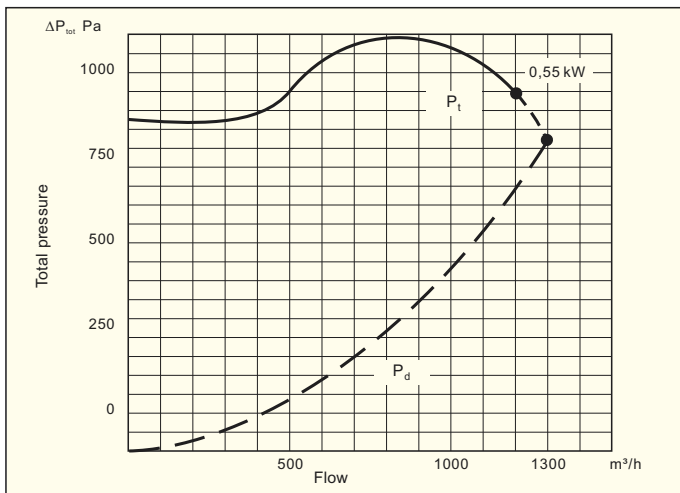
GSFG/2-146/62



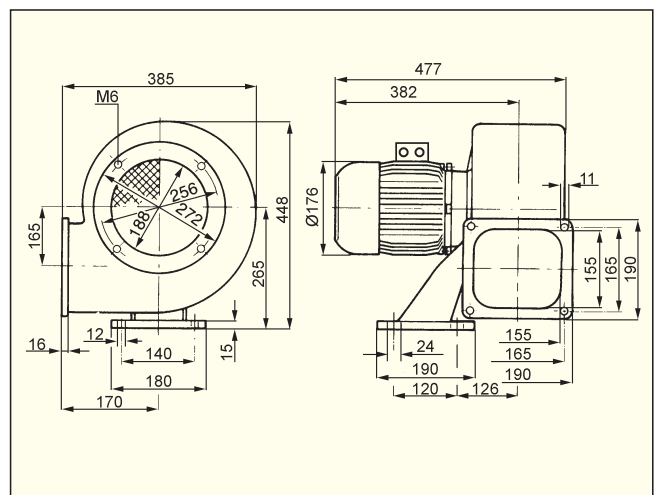
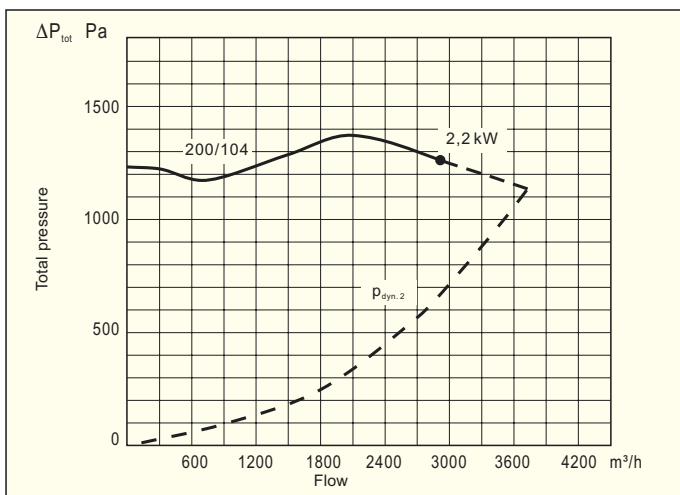
GSFG-2-160/75



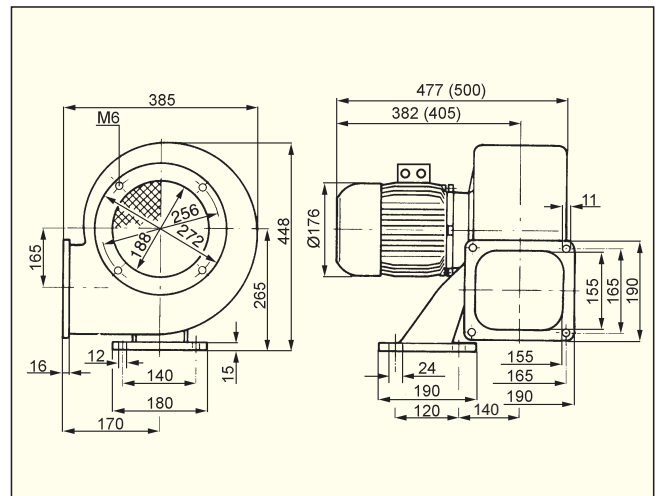
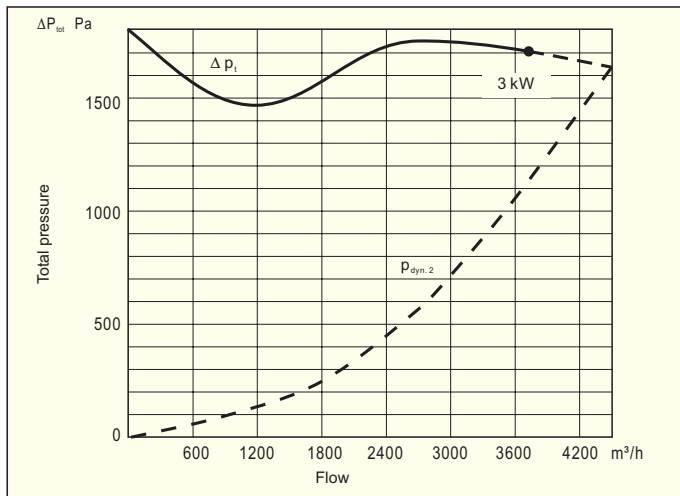
GSFG-2-180/62



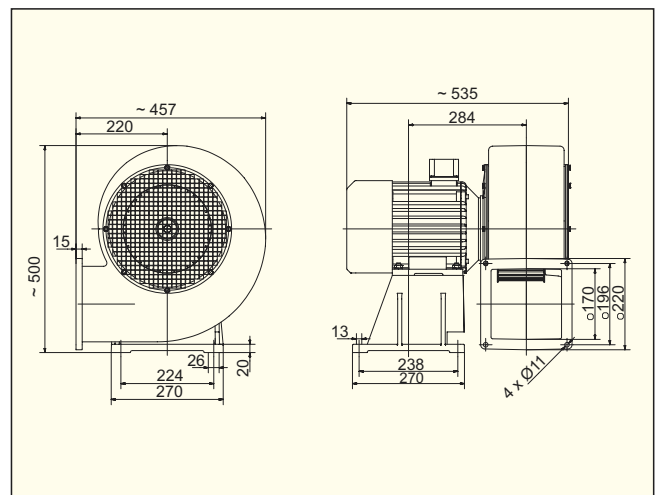
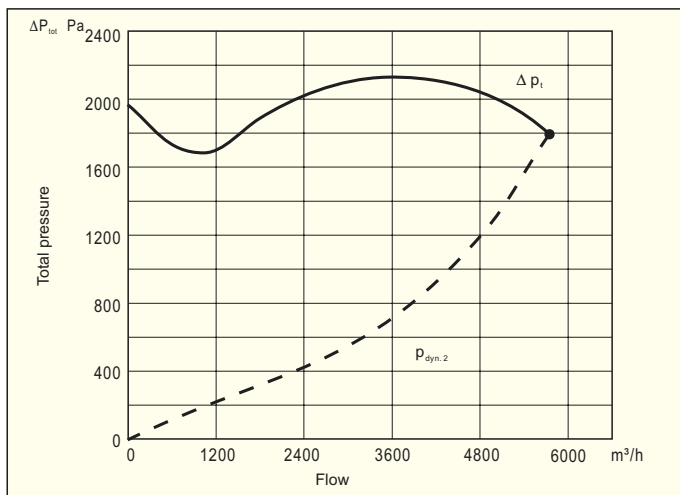
GSFG-2-200/104



GSFG-2-225/104



GSFG-2-250/114





Construction

Single inlet, direct driven centrifugal fan with casing of cast aluminium. Impeller with backward curved blades type B in aluminium sheet.

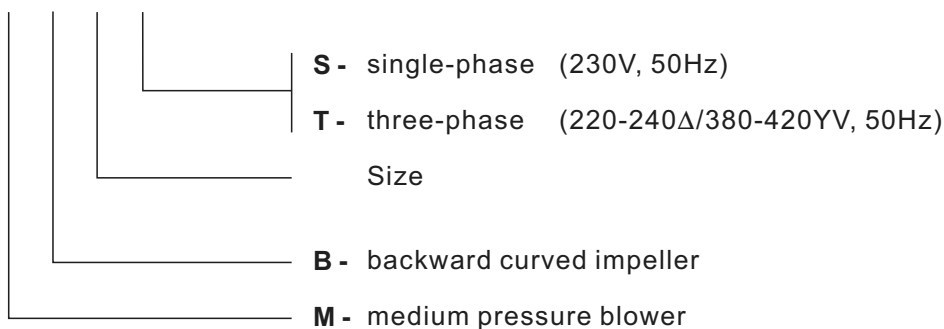
Motor

220-240/380-420V, 50Hz (380-420/660-690V above 3kW) three-phase or 220-240V, 50Hz single-phase asynchronous motor with squirrel cage rotor. Insulation class F, enclosure IP55. Special voltage or frequency, improved enclosure IP65, 2-speed motors and explosion proof motor can be supplied on request. Wiring diagram, see page 235.



Model numbering system

MPB 30 S

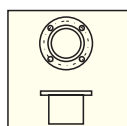


Technical specification

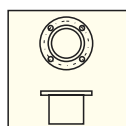
Type	Rated output kW	Speed rpm	Rated current A	Voltage V	Maximum duty m³/h	Pressure max Pa	Sound level* dB(A)	Weight kg	Article number
MPB 25 S	0,12	2800	1,05	230	420	1080	70	8,5	113 600 020
MPB 25 T	0,12	2800	0,35	400Y	420	1080	70	8,0	113 600 025
MPB 30 S	0,18	2760	1,50	230	700	1200	70	9,0	113 600 035
MPB 30 T	0,18	2800	0,55	400Y	700	1200	70	8,5	113 600 030
MPB 75 S	0,55	2820	3,80	230	940	2510	74	16,5	113 600 190
MPB 75 T	0,55	2800	1,40	400Y	940	2510	74	15,0	113 600 180
MPB 110 S	0,75	2820	4,90	230	1030	2320	78	20,0	113 600 230
MPB 110 T	0,75	2820	1,80	400Y	1030	2320	78	18,5	113 600 220
MPB 220 S	1,50	2860	9,50	230	2000	3150	79	22,5	113 600 285
MPB 220 T	1,50	2860	3,40	400Y	2000	3150	79	20,5	113 600 280
MPB 280 T	2,20	2860	4,60	400Y	2500	3500	84	42,0	113 600 320
MPB 300 S	1,50	2860	9,50	230	2050	3250	79	25,0	113 600 360
MPB 300 T	1,50	2860	3,40	400Y	2050	3250	79	23,0	113 600 350
MPB 400 T	3,00	2900	6,50	400Y	3830	3900	84	60,0	113 600 400
MPB 600 T	11,00	2900	20,20	400 Δ	5000	6000	90	83,0	113 600 600

* - in the middle of the performance curve, 1m from the fan.

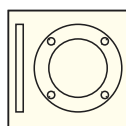
Accessories



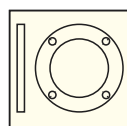
Connector suction side page 138



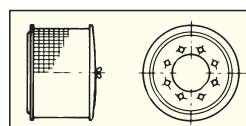
Connector pressure side page 138



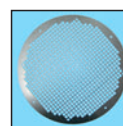
Welding flange suction side page 139



Welding flange pressure side page 139

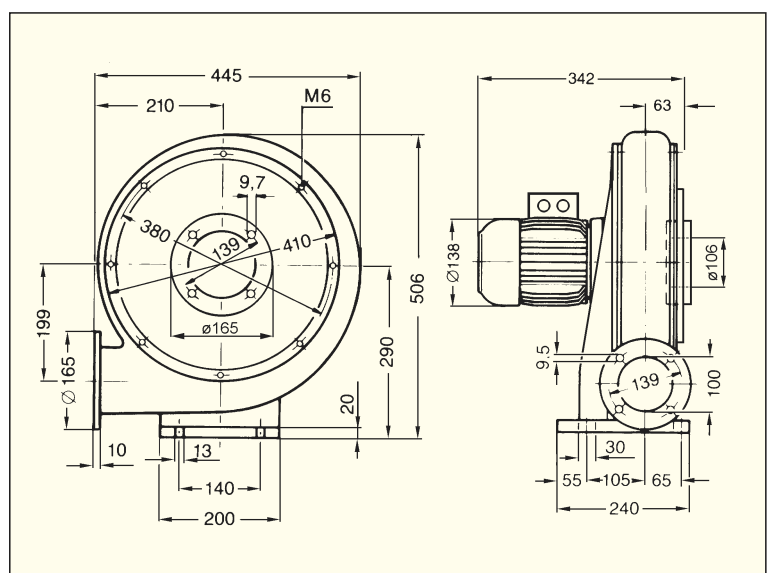
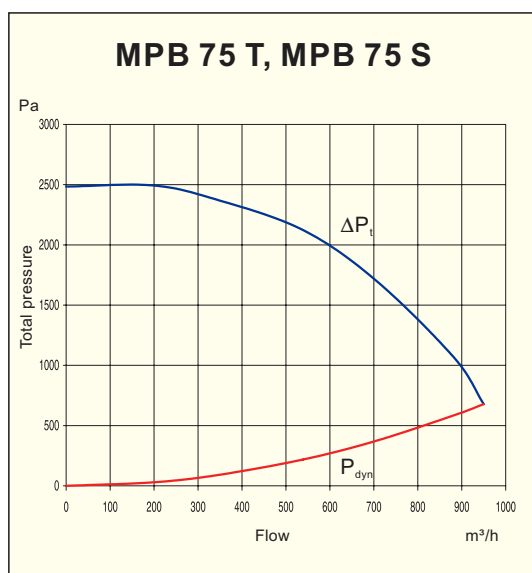
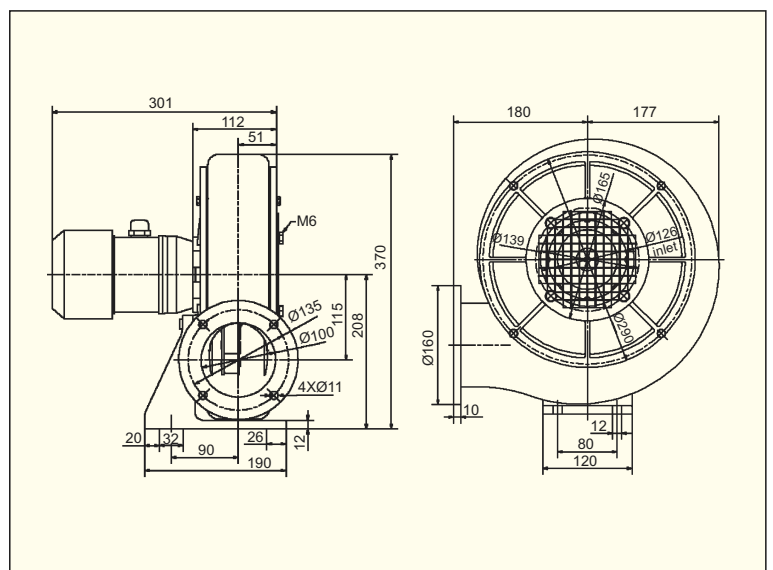
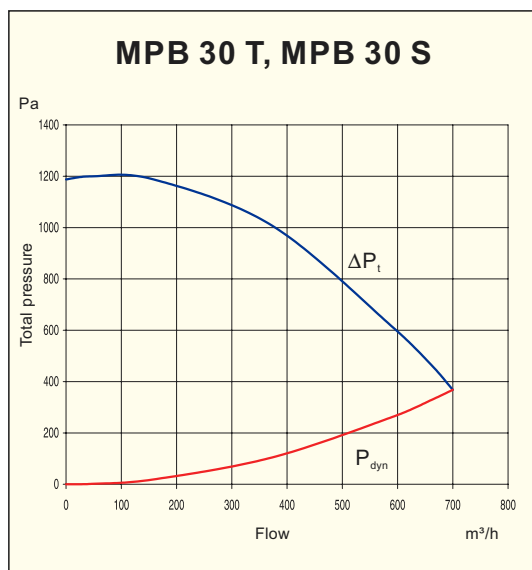
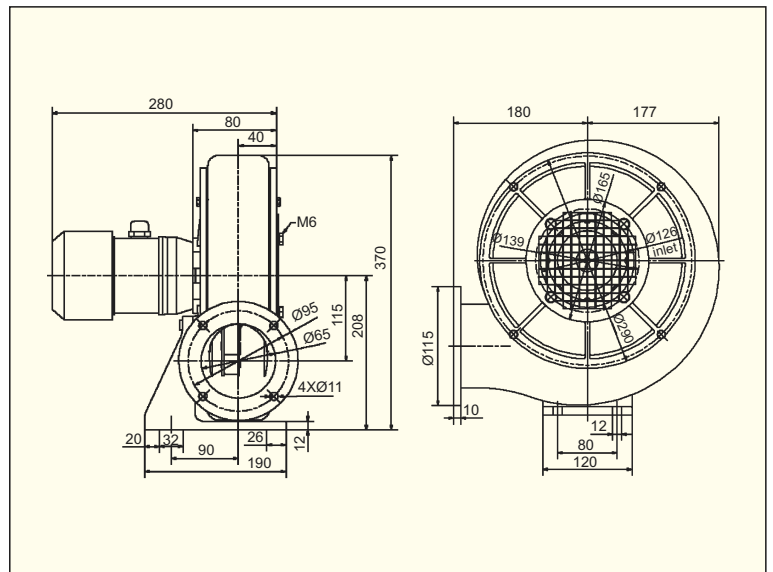
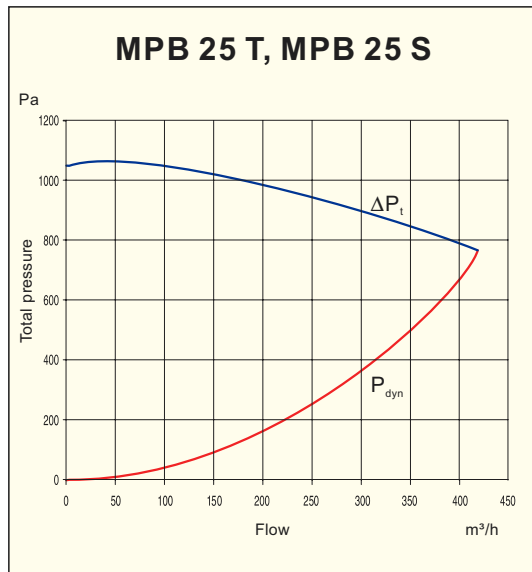


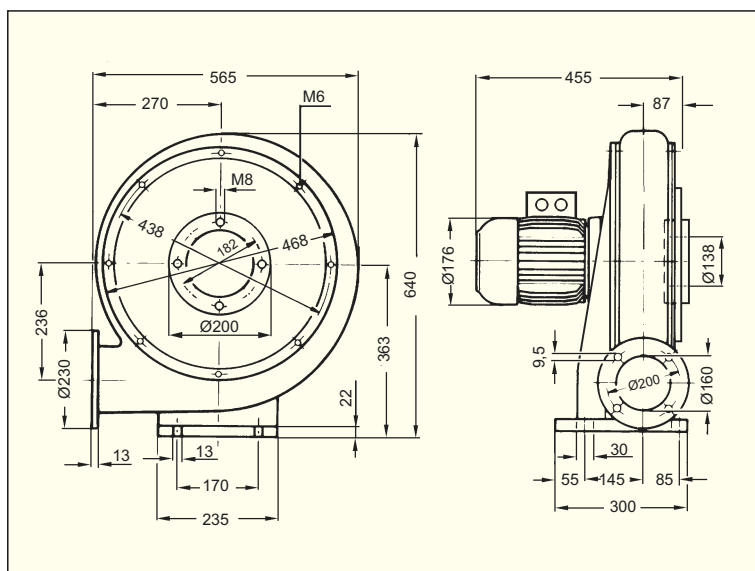
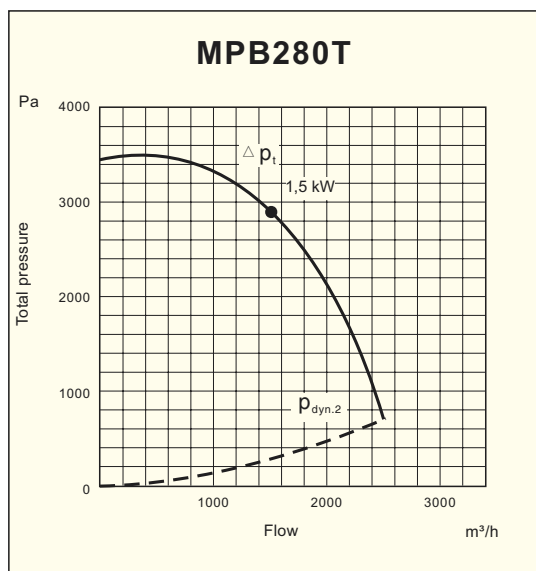
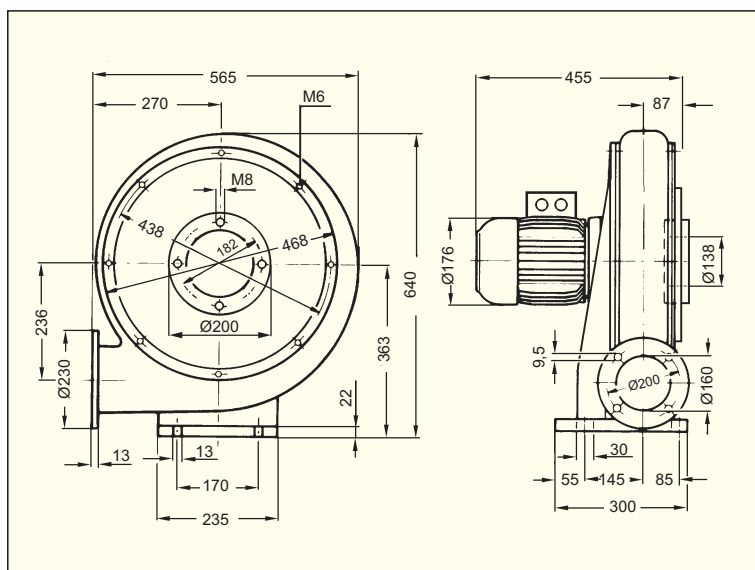
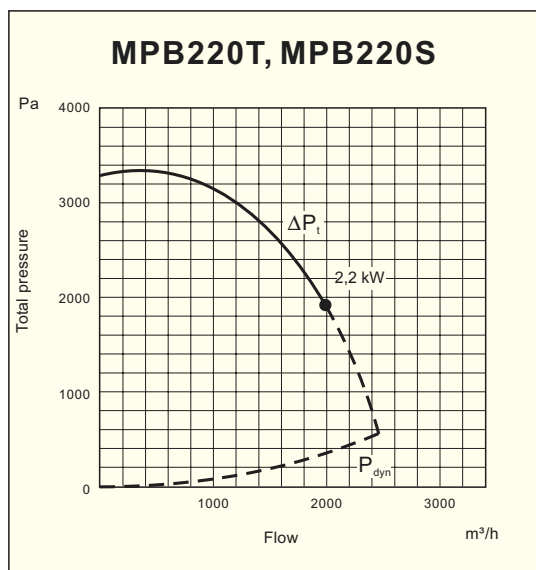
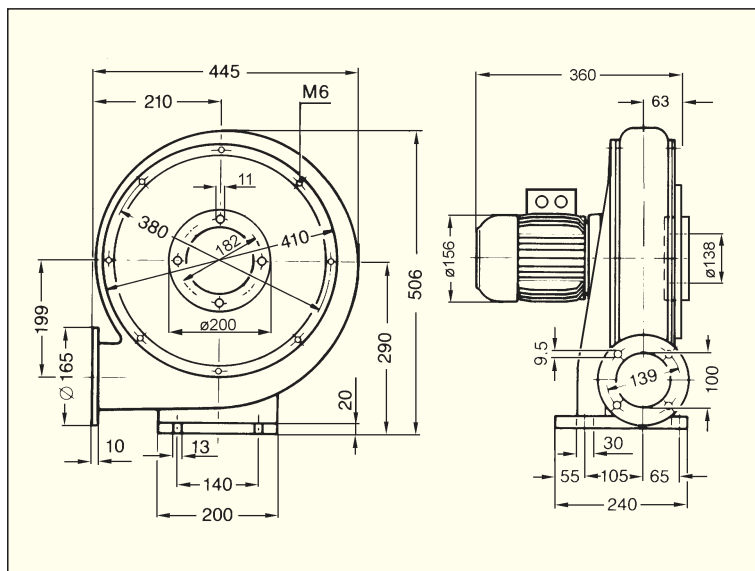
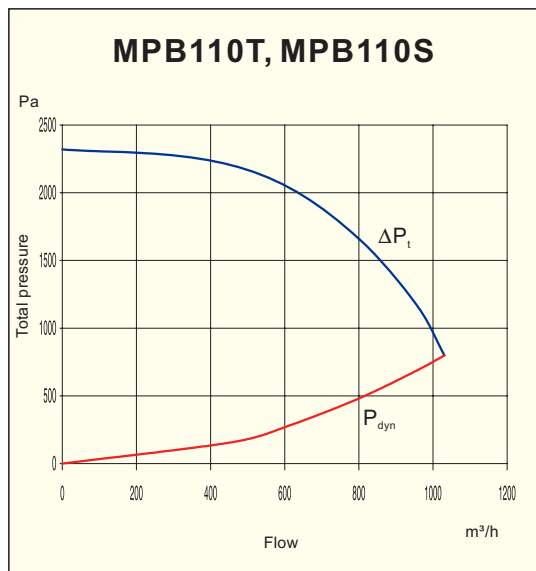
Filter suction side page 139

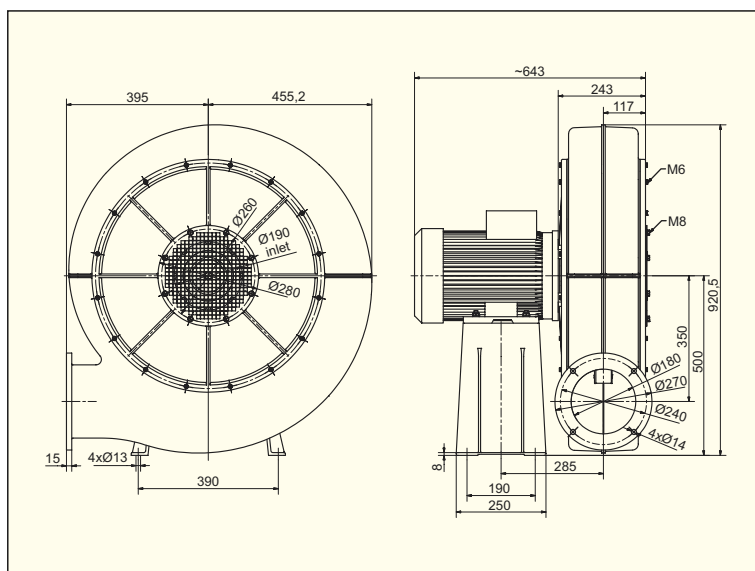
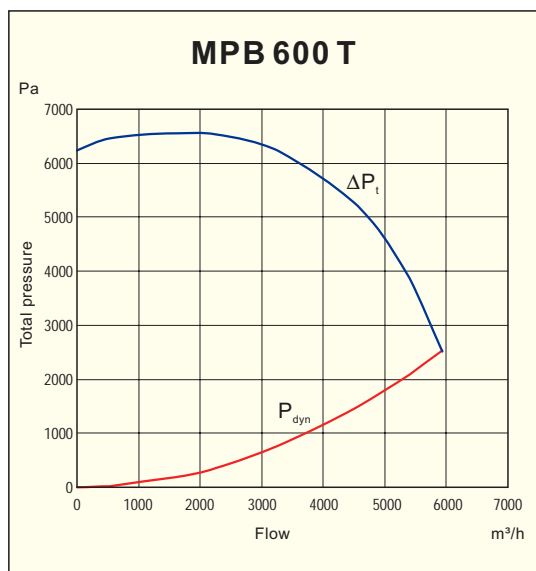
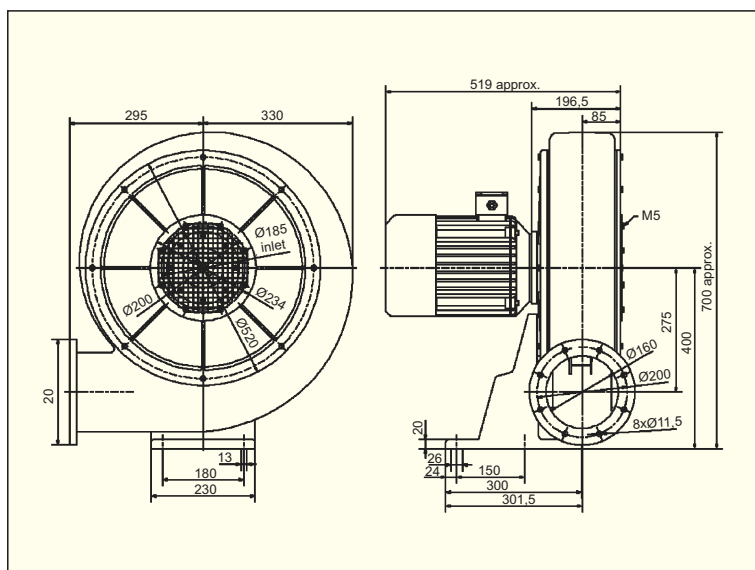
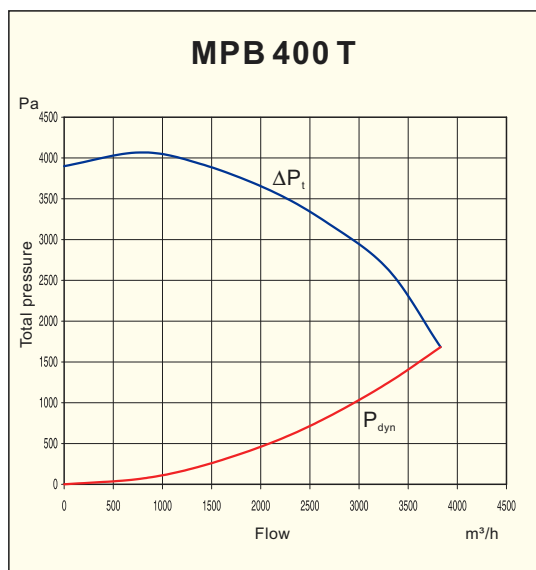
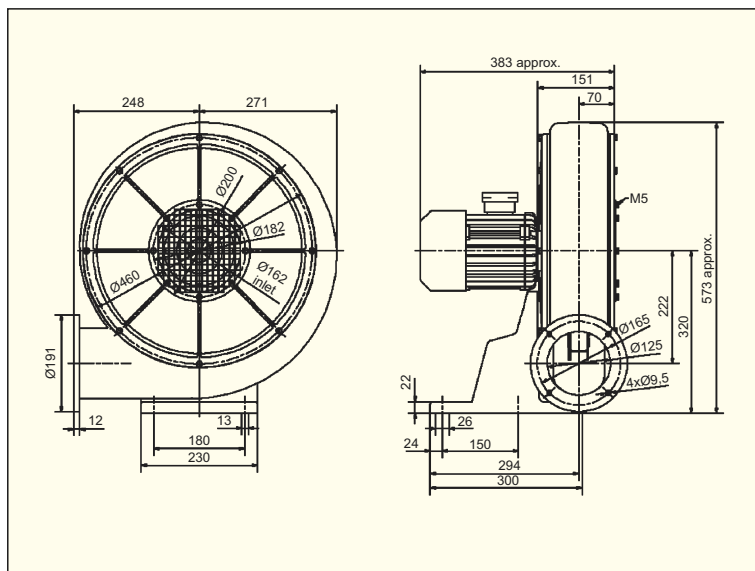
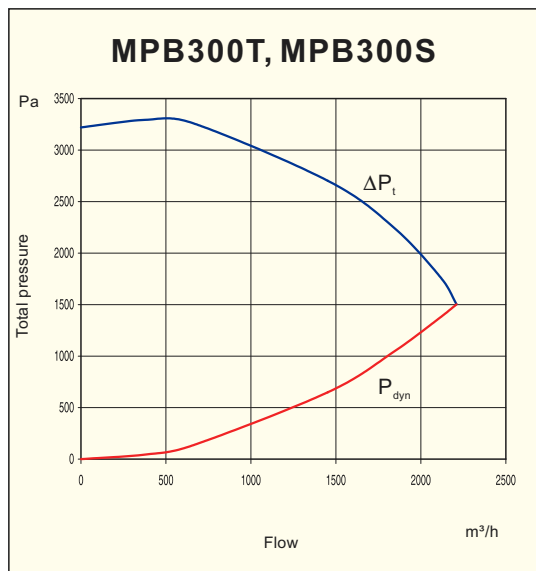


Protection net

Performance curves









Construction

Single inlet, direct driven centrifugal fan with casing of cast aluminium. Impeller with backward curved, self cleaning blades type R, in aluminium sheet.

Motor

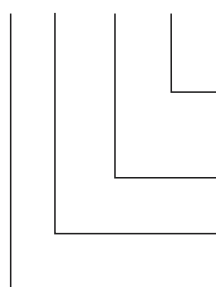
220-240/380-420V, 50Hz (380-420/660-690V above 3kW) three-phase or 220-240V, 50Hz single-phase asynchronous motor with squirrel cage rotor. Insulation class F, enclosure IP55. Special voltage or frequency, improved enclosure IP65, 2-speed motors and explosion proof motor can be supplied on request.

Wiring diagram, see page 235.



Model numbering system

MPR 300 S



single-phase (230V, 50Hz)

three-phase (220-240Δ/380-420YV, 50Hz)

size

impeller type R

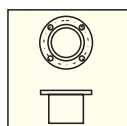
medium pressure blower

Data

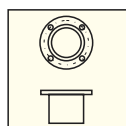
Type	Rated output kW	Speed rpm	Rated current A	Voltage V	Maximum duty m ³ /h	Pressure max Pa	Sound level * dB(A)	Weight kg	Article number
MPR 200T	0,75	2800	1,7	230/400Y	1250	2550	77	18	113 620 200
MPR 200S	0,75	2800	4,9	230	1250	2550	77	19	113 620 210
MPR 260T	1,1	2800	2,45	230/400Y	1550	2550	78	18,5	113 620 260
MPR 260S	1,1	2800	7,1	230	1550	2550	78	20	113 620 265
MPR 300T	1,5	2820	3,4	230/400Y	2240	3400	79	23	113 620 300
MPR 300S	1,5	2820	9,5	230	2240	3400	79	25	113 620 310
MPR 400T	4,0	2910	7,8	400Δ	4080	4180	83	60	113 620 400
MPR 600T	11,0	2910	20,2	400	6500	6600	90	83	113 620 600

* - in the middle of the performance curve, 1m from the fan.

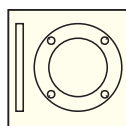
Accessories



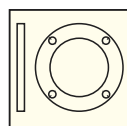
Connector suction side page 138



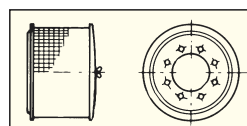
Connector pressure side page 138



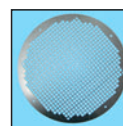
Welding flange suction side page 139



Welding flange pressure side page 139

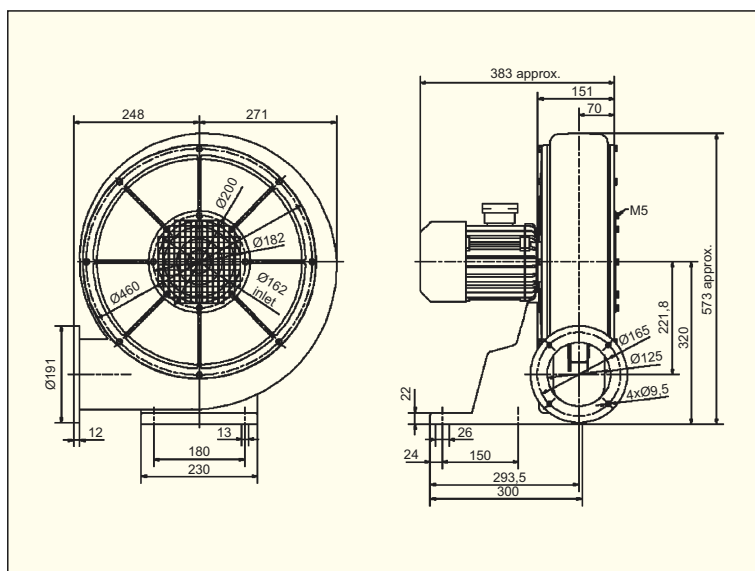
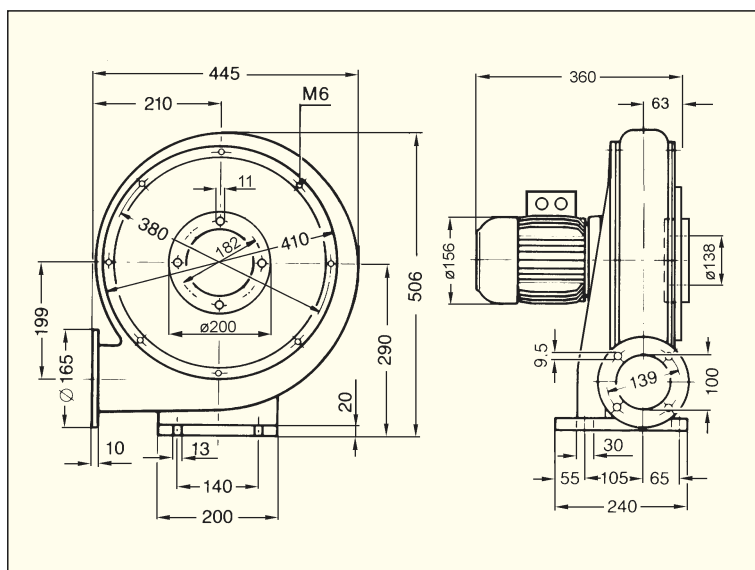
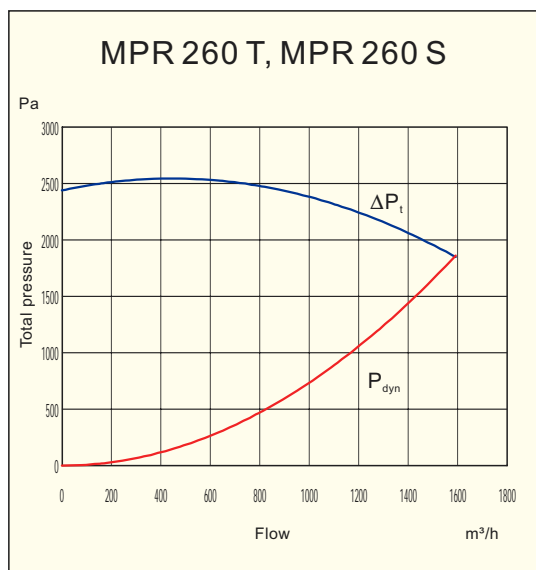
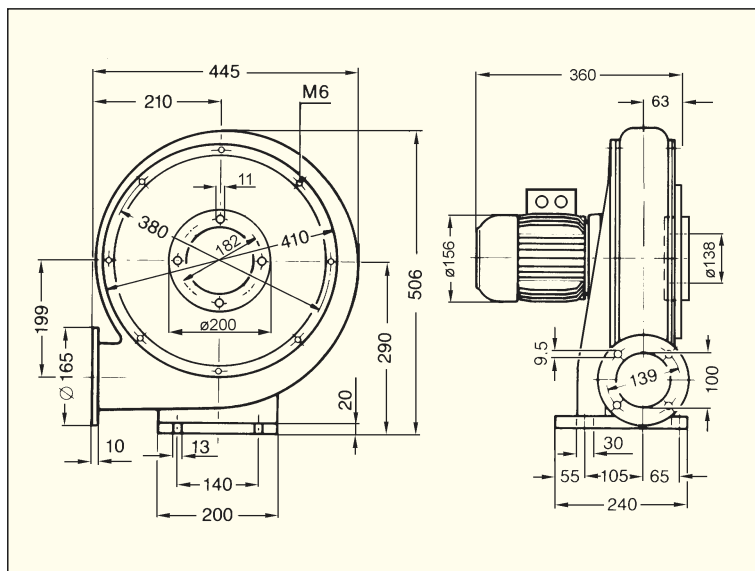
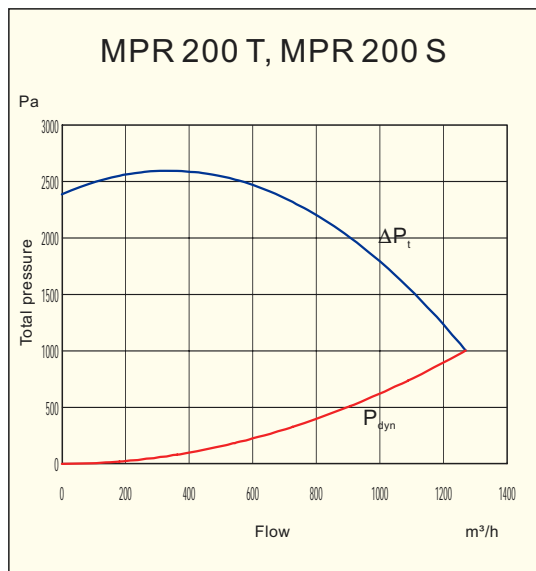


Filter suction side page 139

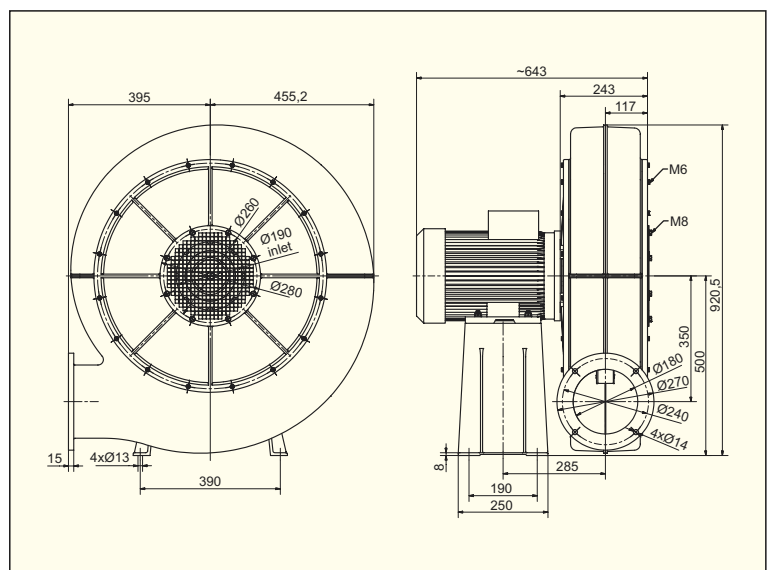
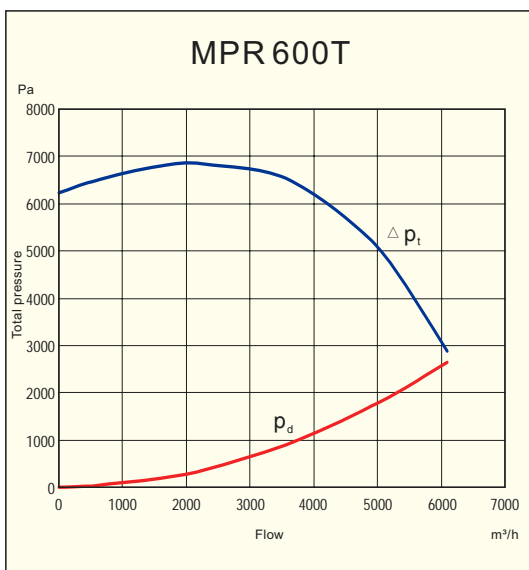
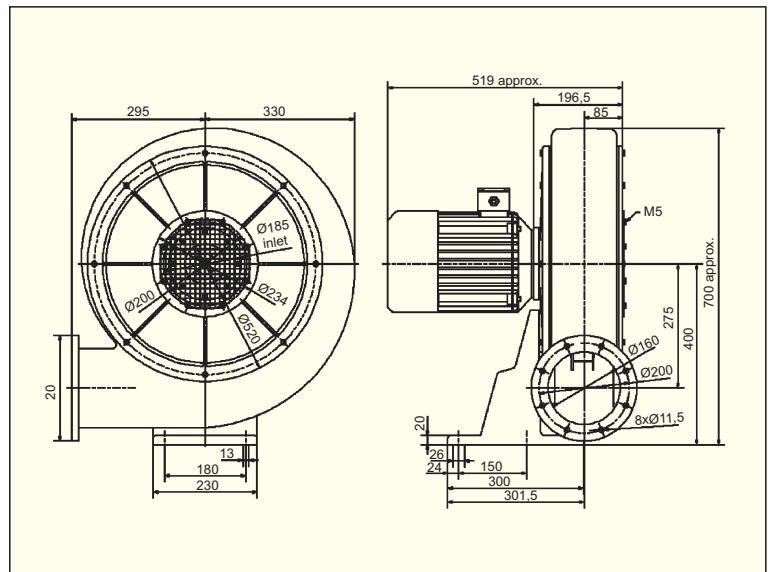
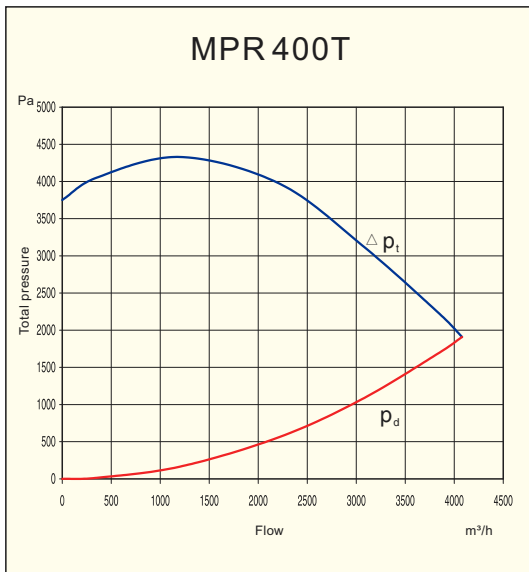


Protecting net

Performance curves



Performance curves





Construction

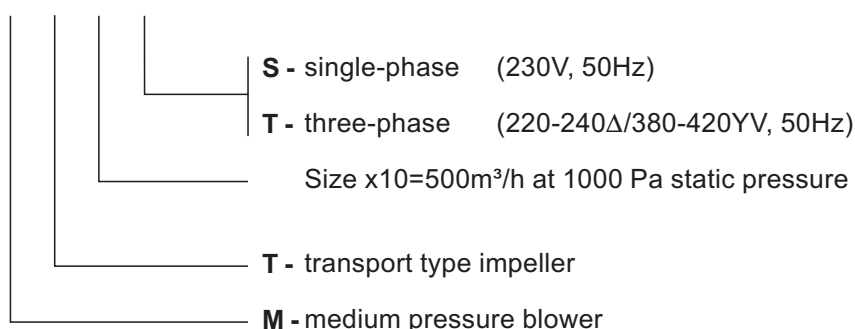
Single inlet, direct driven centrifugal fan with casing of cast aluminium. Impeller with self cleaning blades of cast aluminium.

Motor

220-240/380-420V, 50Hz (380-420/660-690V above 3kW) three-phase or 220-240V, 50Hz single-phase asynchronous motor with squirrel cage. Insulation class F, enclosure IP55. Special voltage or frequency, improved enclosure IP65, 2-speed motors and explosion proof motor can be supplied on request. Wiring diagram, see page 235.

Model numbering system

M P B 30 S



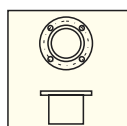
Data

Type **	Motor power kW	Voltage V	Maximum current A	Maximum duty m ³ /h	Pressure (max) Pa	Sound level * dB(A)	Weight kg	Article number
MPT-03T	0,18	230/400	0,95/0,55	410	1150	72	8,5	113 550 100
MPT-03S	0,18	230	1,8	410	1150	72	9,0	113 550 110
MPT-25T	0,18	230/400	0,95/0,55	300	1350	75	8,5	113 550 120
MPT-25S	0,18	230	1,8	300	1350	75	9,0	113 550 130
MPT-25TD	0,25	230/400	1,27/0,8	600	1350	75	10,7	113 550 125
MPT-25SD	0,25	230	1,93	600	1350	75	11,5	113 550 135
MPT-40T	0,37	230/400	1,77/1,02	390	2050	78	14,5	113 550 160
MPT-40S	0,37	230	2,9	390	2050	78	16,0	113 550 170
MPT-50T	0,55	230/400	2,35/1,35	690	2050	78	15,0	113 550 180
MPT-50S	0,55	230	4,00	690	2050	78	16,5	113 550 190
MPT-80T	0,75	230/400	3,3/1,90	690	2140	83	18,5	113 550 200
MPT-80S	0,75	230	5,20	690	2140	83	20,5	113 550 210
MPT-90T	1,10	230/400	4,30/2,50	1170	2140	83	19,0	113 550 220
MPT-90S	1,10	230	7,90	1170	2140	83	21,0	113 550 230
MPT-160T	2,20	230/400	8,00/4,60	2040	2240	88	31,0	113 550 240
MPT-290T	4,00	400/690	7,80/4,50	3700	3250	91	55,0	113 550 250
MPT-300T	3,00	230/400	11,3/6,50	2600	3650	91	44,0	113 550 245
MPT-350T	4,00	400/690	7,80/4,60	3150	3650	92	55,0	113 550 260

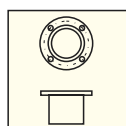
** - all sizes with speed approx. 2800 rpm

* - in the middle of the performance curve.

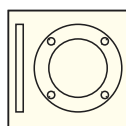
Accessories



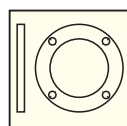
Connector suction side page 138



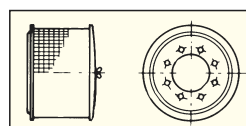
Connector pressure side page 138



Welding flange suction side page 139

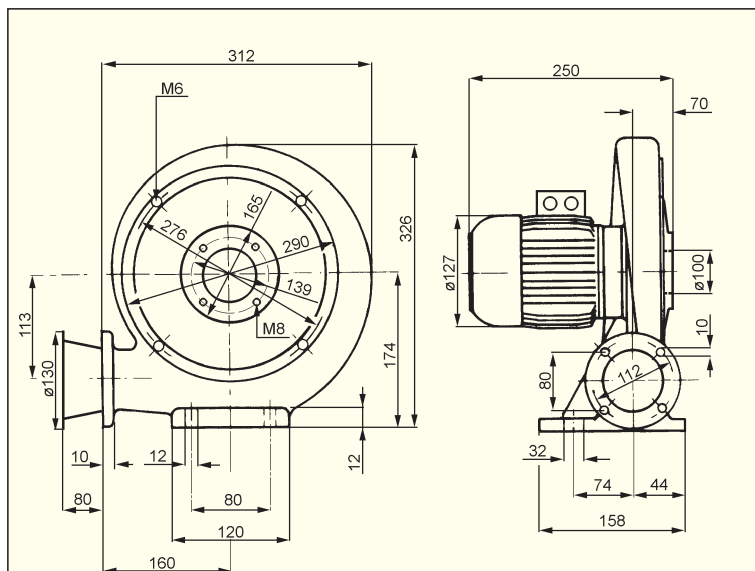
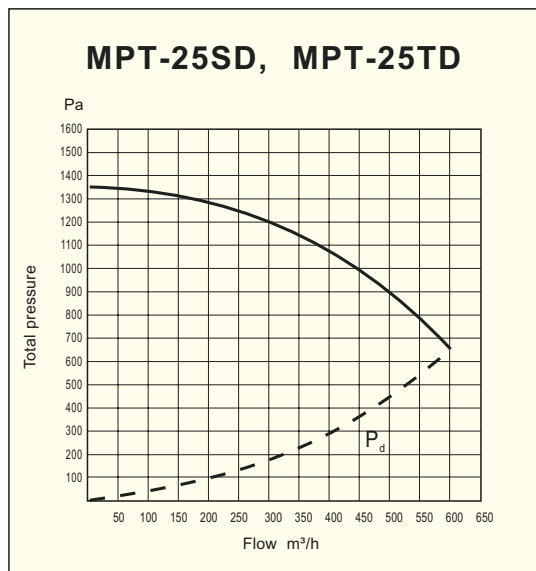
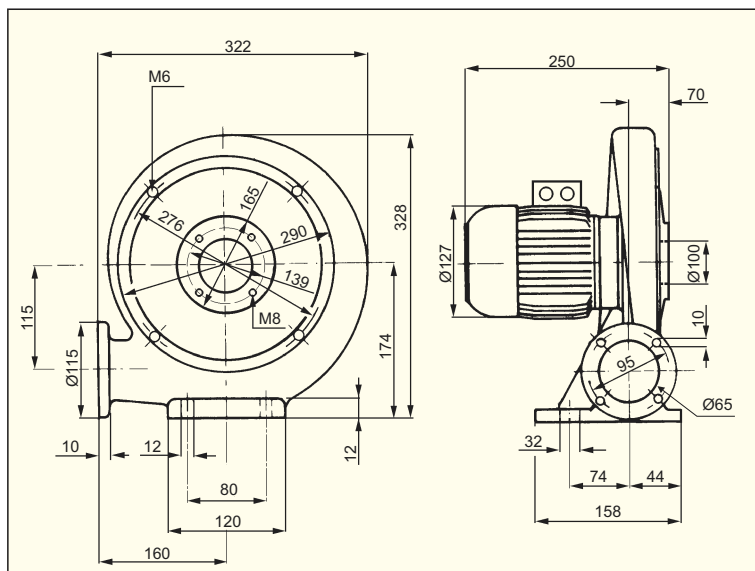
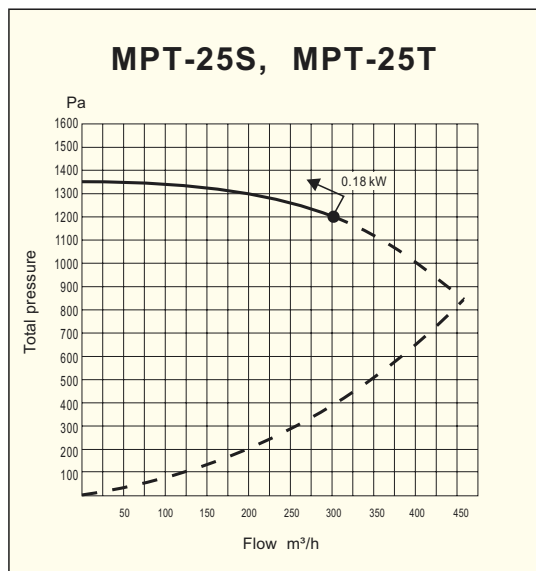
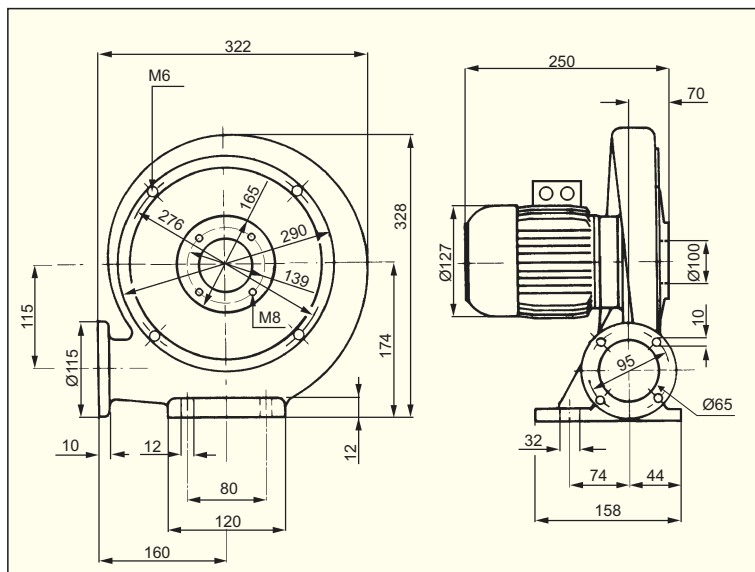
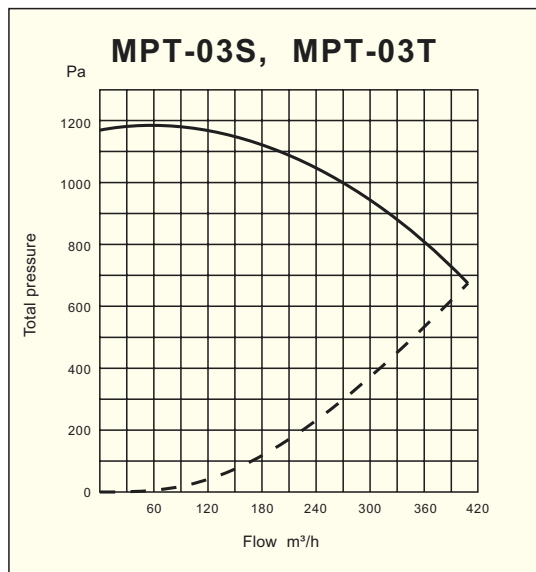


Welding flange pressure side page 139

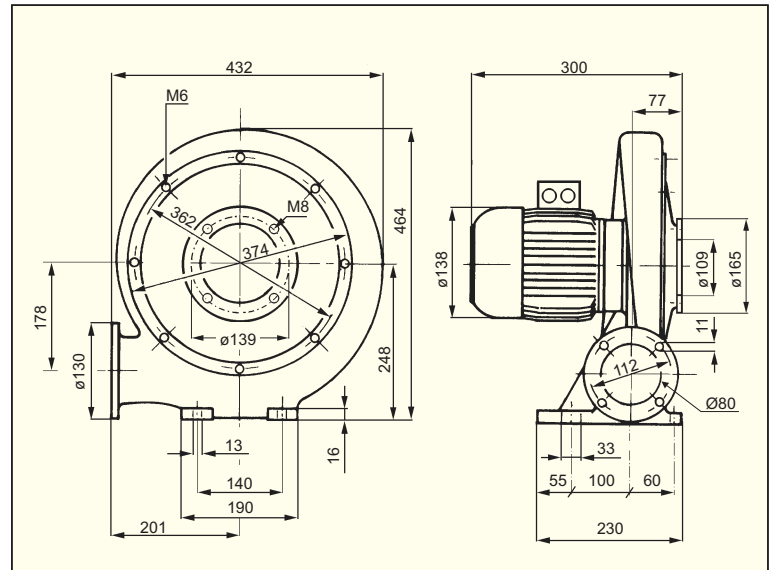
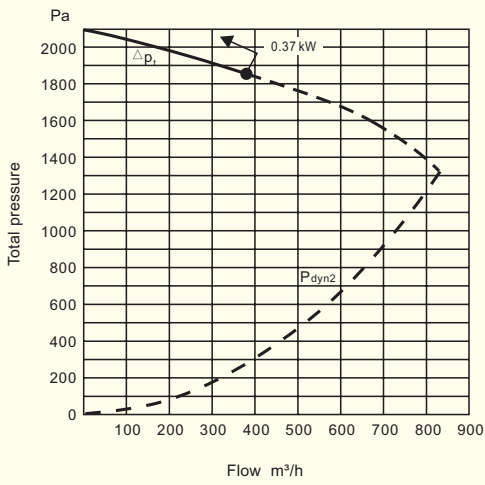


Filter suction side page 139

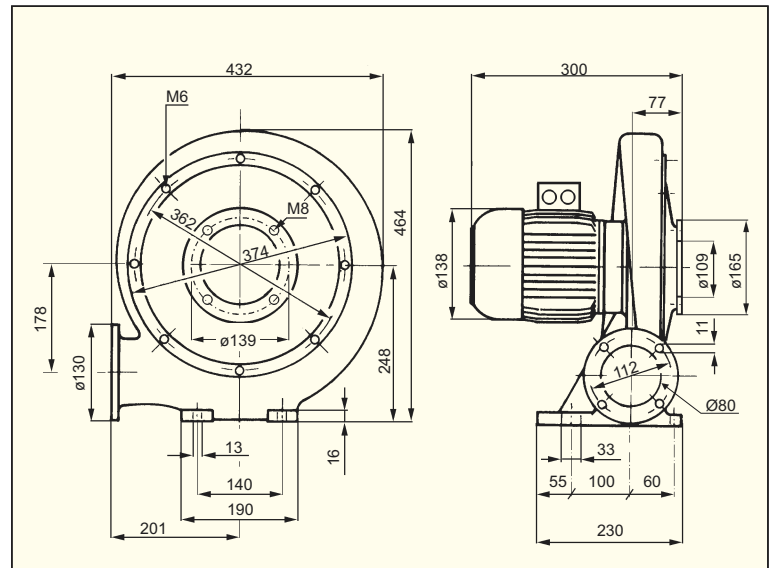
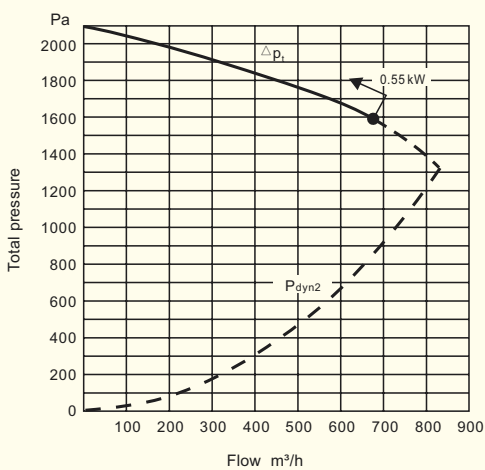
Performance curves



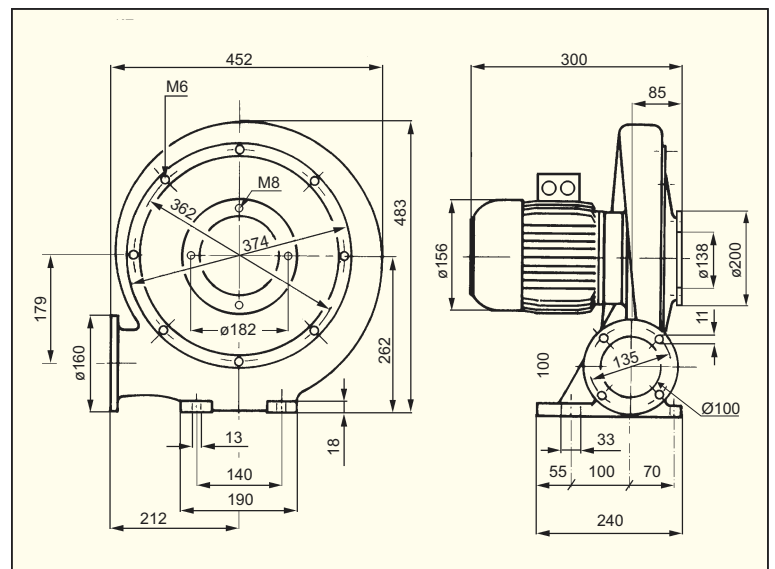
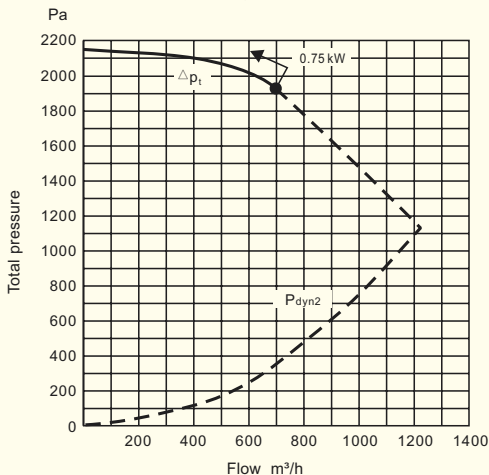
MPT-40S, MPT-40T

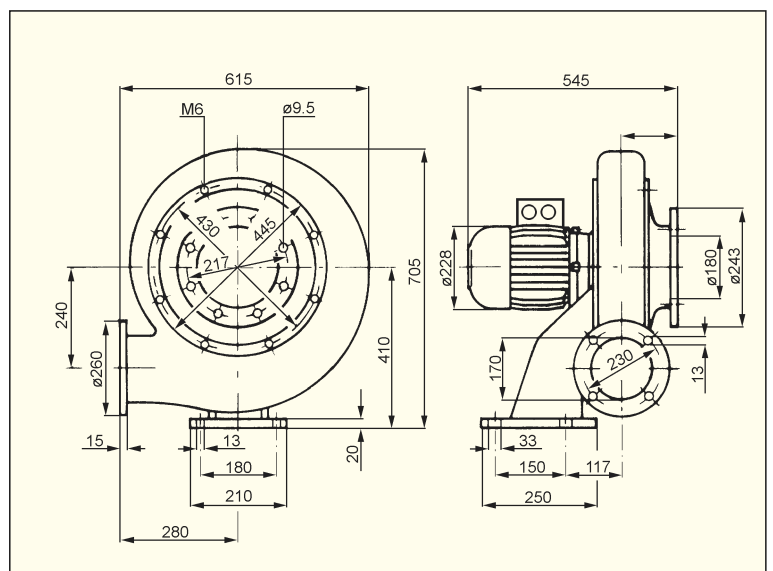
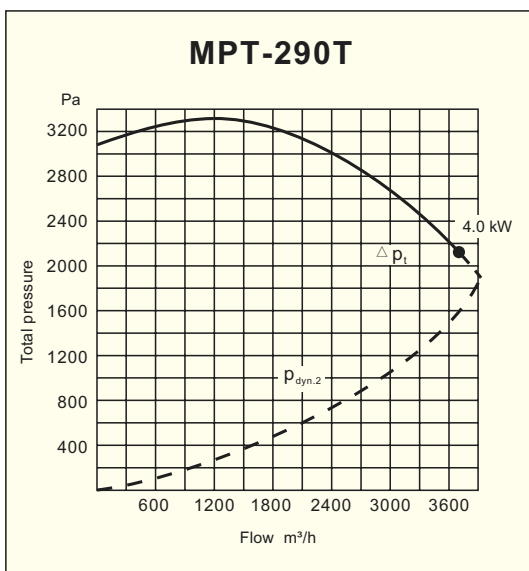
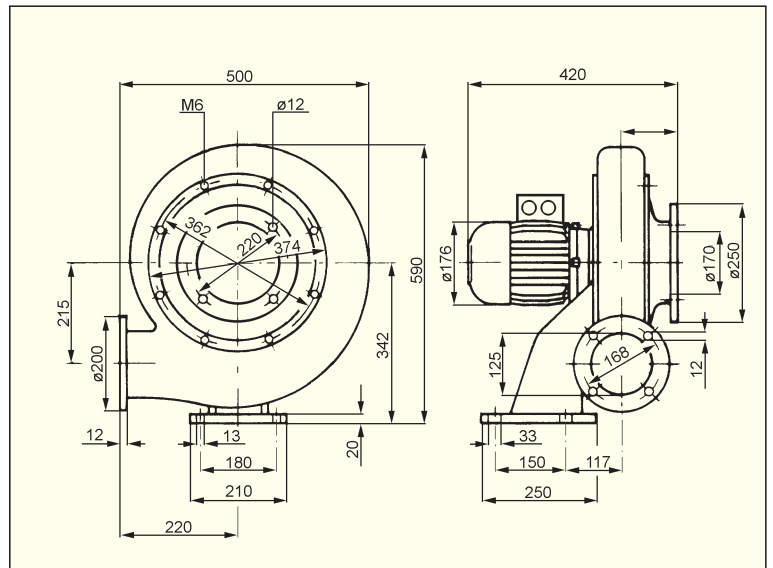
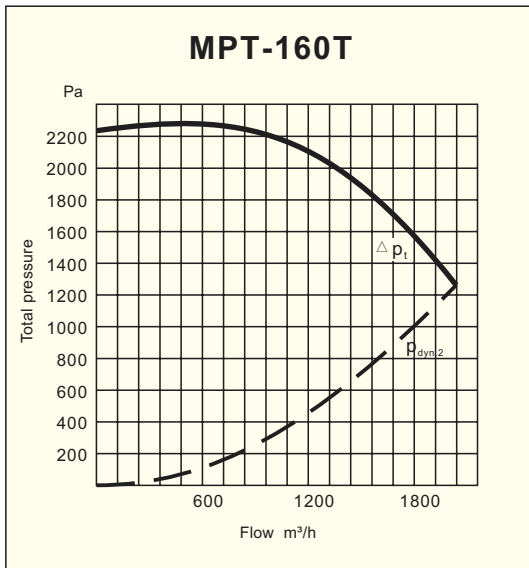
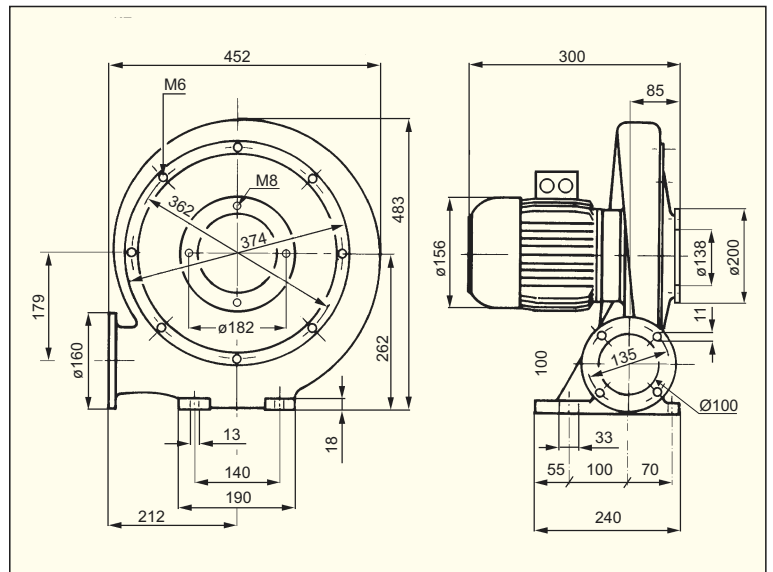
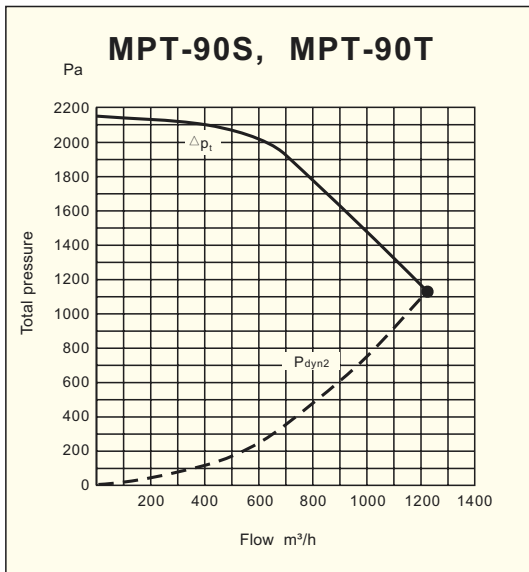


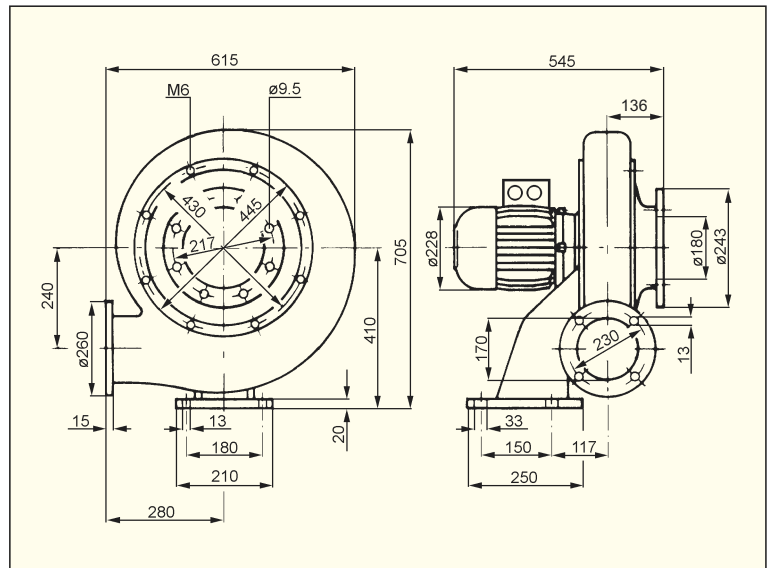
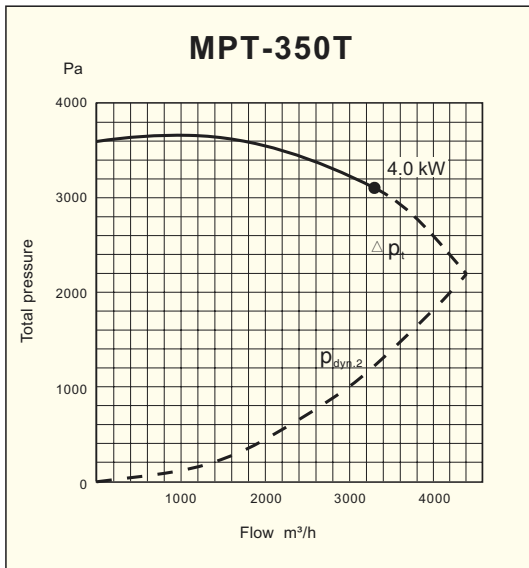
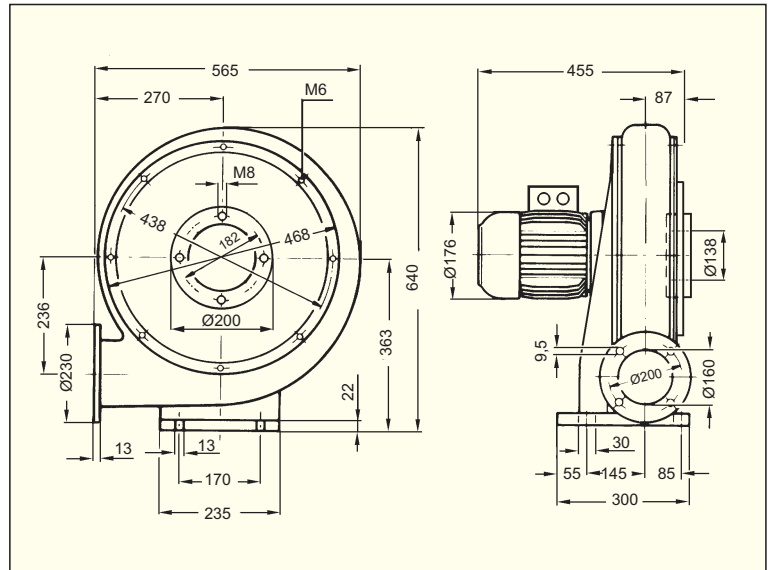
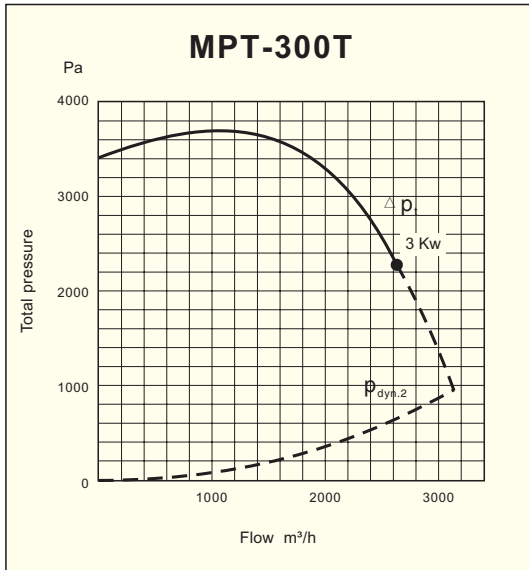
MPT-50S, MPT-50T



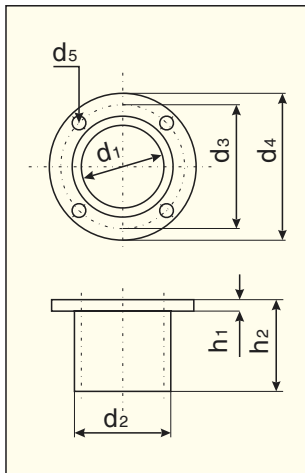
MPT-80S, MPT-80T







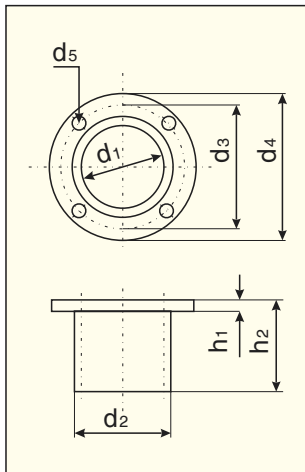
Connector suction side



Type	d_1	d_2	d_3	d_4	d_5	h_1	h_2	Article number
MPT-03, 25 *	100	108						113 561 100
MPT-25D *	100	108						113 561 125
MPT-40, 50	110	125	139	165	9.0	10	80	113 611 180
MPT-80, 90	148	160	182	200	9.0	10	80	113 611 220
MPT-160	170	180	220	250	12.0	10	80	113 561 240
MPT-290, 350	180	190	217	243	12.0	10	80	113 561 250
MPT-300	148	160	182	200	9.0	10	80	113 611 220
MPR-300	148	160	182	200	9.0	10	80	113 611 230
MPR-400	172	180	200	234	9.0	10	80	113 611 240
MPB-25	110	125	139	165	9.0	10	80	113 611 180
MPB-30	110	125	139	165	9.0	10	80	113 611 180
MPB-75	110	125	139	165	9.0	10	80	113 611 180
MPB-110, 110D	148	160	182	200	9.0	10	80	113 611 220
MPB-220, 250	148	160	182	200	9.0	10	80	113 611 220
MPB-280	148	160	182	200	9.0	10	80	113 611 220
MPB-300	148	160	182	200	9.0	10	80	113 611 230
MPB-400	172	180	200	234	9.0	10	80	113 611 240

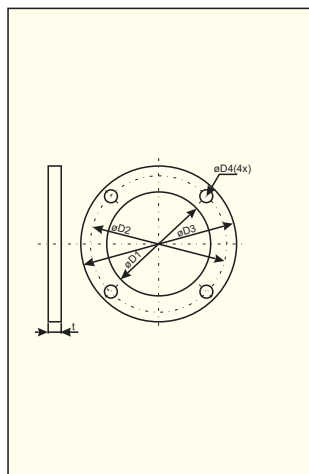
* - Use inlet with connector

Connector pressure side



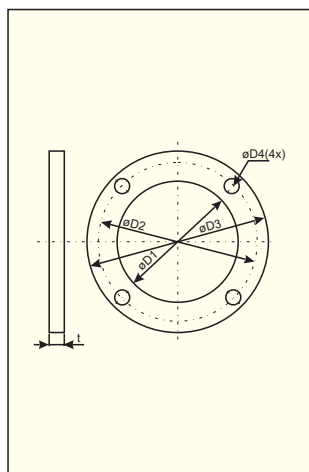
Type	d_1	d_2	d_3	d_4	d_5	h_1	h_2	Article number
MPT-03, 25	65	76	95	115	10.0	10	80	113 562 100
MPT-25D	80	89	112	130	11.0	10	80	113 562 160
MPT-40, 50	80	89	112	130	11.0	10	80	113 562 160
MPT-80, 90	100	112	135	160	11.0	10	80	113 562 200
MPT-160	125	140	168	200	12.0	10	80	113 562 240
MPT-290, 350	170	180	230	160	13.0	10	80	113 562 250
MPT-300	160	170	200	230	10.0	11	80	113 562 260
MPR-300	125	139	165	190	9.0	10	80	113 562 270
MPR-400	160	170	200	230	10.0	10	80	113 562 280
MPB-25	65	76	95	115	10.0	10	80	113 562 100
MPB-30	65	76	95	115	10.0	10	80	113 562 100
MPB-75	100	112	139	165	9.5	10	80	113 612 180
MPB-110	100	112	139	165	9.5	10	80	113 612 180
MPB-110D	140	150	182	200	10.0	10	80	113 662 540
MPB-220, 250	160	170	200	230	10.0	11	80	113 562 260
MPB-280	160	170	200	230	10.0	11	80	113 562 260
MPB-300	125	139	165	190	9.0	10	80	113 562 270
MPB-400	160	170	200	230	10.0	10	80	113 562 280

Welding flange suction side



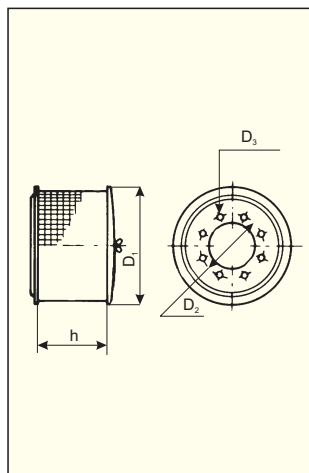
Type	D ₁	D ₂	D ₃	D ₄	t	Article number
MPT-03, 25	100	139	165	8.5	10	113 567 100
MPT-25D	100	139	165	8.5	10	113 567 100
MPT-40, 50	110	139	165	9.0	10	113 617 180
MPT-80, 90	148	182	200	9.0	10	113 617 220
MPT-160	170	220	250	12.0	10	113 567 240
MPT-290, 350	180	217	243	9.5	10	113 567 250
MPT-300	148	182	200	9.0	10	113 617 220
MPR-300	148	182	200	9.0	10	113 617 230
MPR-400	172	200	234	9.0	10	113 617 240
MPB-25	110	139	165	9.0	10	113 617 160
MPB-30	110	139	165	9.0	10	113 617 160
MPB-75	110	139	165	9.0	10	113 617 180
MPB-110, 110D	148	182	200	9.0	10	113 617 220
MPB-220, 250	148	182	200	9.0	10	113 617 220
MPB-280	148	182	200	9.0	10	113 617 220
MPB-300	148	182	200	9.0	10	113 617 230
MPB-400	172	200	234	9.0	10	113 617 240

Welding flange pressure side

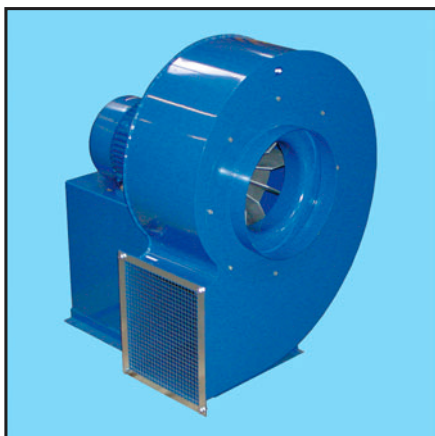


Type	D ₁	D ₂	D ₃	D ₄	t	Article number
MPT-03, 25	65	95	115	10.0	10	113 563 100
MPT-25D	80	112	130	11.0	10	113 563 160
MPT-40, 50	80	112	130	11.0	10	113 563 160
MPT-80, 90	100	135	160	11.0	10	113 563 200
MPT-160	125	168	200	12.0	10	113 563 240
MPT-290, 350	170	230	260	13.0	10	113 563 250
MPT-300	160	200	230	11.0	10	113 563 260
MPR-300	125	165	190	9.0	10	113 563 270
MPR-400	160	200	230	10.0	10	113 563 280
MPB-25	65	95	115	10.0	10	113 613 160
MPB-30	65	95	115	10.0	10	113 613 160
MPB-75	100	139	165	9.5	10	113 613 180
MPB-110	100	139	165	9.5	10	113 613 180
MPB-110D	140	182	200	10.0	10	113 663 540
MPB-220, 250	160	200	230	11.0	10	113 563 260
MPB-280	160	200	230	11.0	10	113 563 260
MPB-300	125	165	190	9.0	10	113 563 270
MPB-400	160	200	230	10.0	10	113 263 280

Filter suction side



Type	D ₁	D ₂	D ₃	h	Article number
MPT-03, 25	284	139	10	140	113 565 100
MPT-25D	284	139	10	140	113 565 100
MPT-40, 50	284	155	10	140	113 565 160
MPT-80, 90	284	170	10	220	113 565 200
MPT-160	284	220	10	370	113 565 240
MPT-290, 350	560	217	10	395	113 565 250
MPT-300	560	182	10	395	113 565 260
MPR-300	284	182	9	300	113 615 220
MPR-400	560	200	9	395	113 565 270
MPB-25	284	139	10	140	113 565 100
MPB-30	284	139	10	140	113 565 100
MPB-75	284	139	9	190	113 615 180
MPB-110	284	182	9	300	113 615 220
MPB-110D	284	182	9	300	113 615 220
MPB-220, 250	560	182	10	395	113 565 260
MPB-280	560	182	10	395	113 565 260
MPB-300	284	182	9	300	113 615 220
MPB-400	560	200	9	395	113 565 270



GMT-100 with support type F

GMT-100 complete with support type M

Construction

Single inlet, direct driven centrifugal fan. Impeller with self-cleaning blades of cast aluminium in one piece, balanced according to ISO 1940.

Casing of sheet steel welded and painted with blue powder coat. Inlet and outlet guard as a standard for GMT-60, 80, 100, 130. Outlet guard as a standard for GMT-200, 300, 500. Impellers in steel, cast iron or brass as well as casings of galvanized or acid-proof steel can be supplied on request.

GMT-100E fan can be supplied with a support type M, an external overload protection, and a 5m cable and a plug.

Motor

220-240/380-420V, 50Hz (380-420/660-690V over 3kW) three-phase or 220-240V, 50Hz single-phase asynchronous motor with squirrel cage rotor, in accordance with IEC72 and IEC34-1. Insulation class F, enclosure IP55. Special voltage or frequency, improved enclosure IP65, 2-speed motors, explosion proof motor can be supplied on request.

Wiring diagram, see page 235.

Accessories

Support type M for module mounting, support type F for wall mounting, suitable for GMT-100 and GMT-130. Connectors and shutters for inlet and outlet side.

Accessories



Protection guard outlet



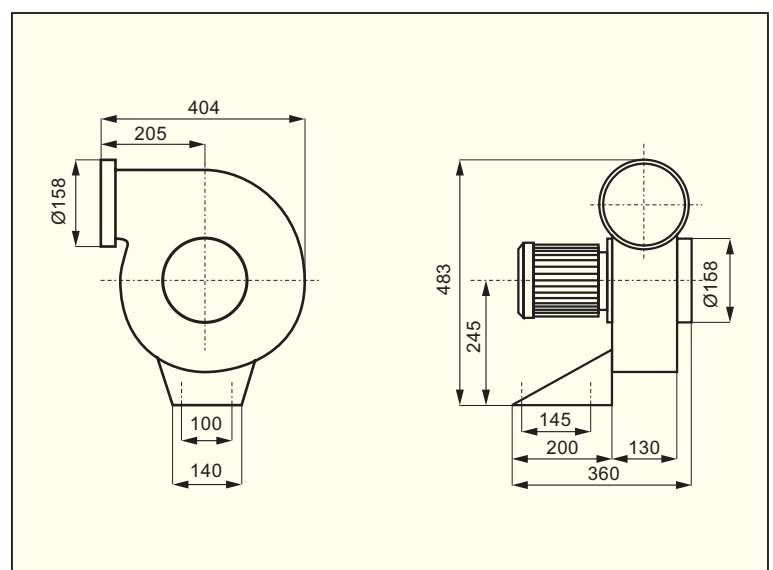
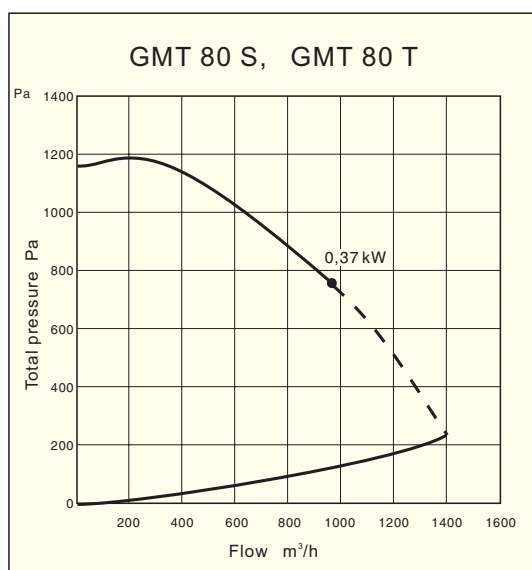
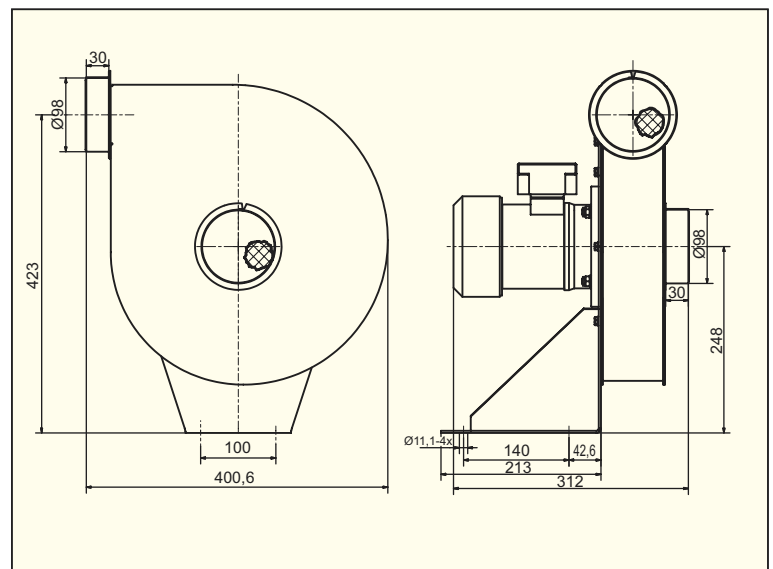
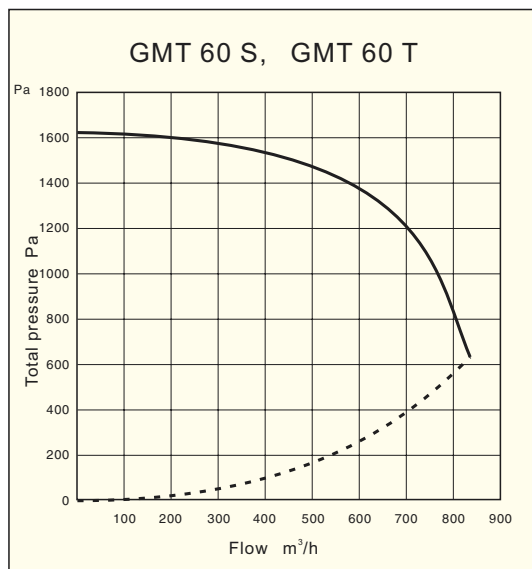
Connector outlet



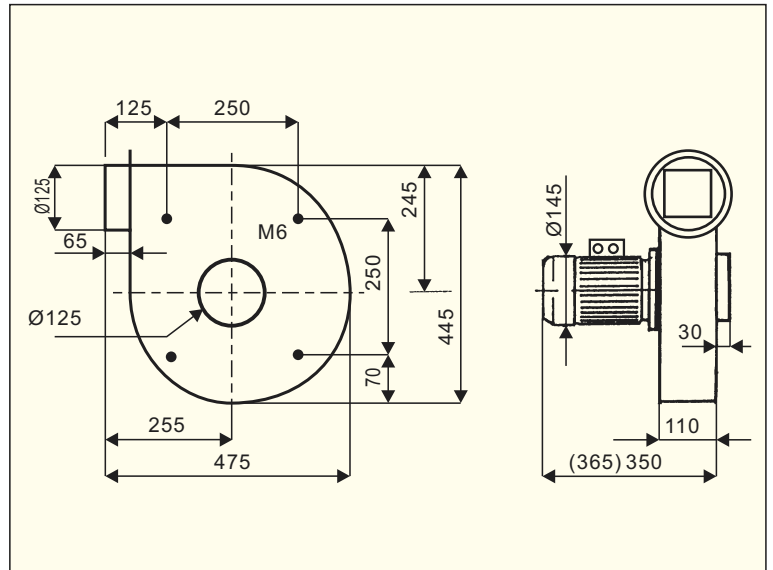
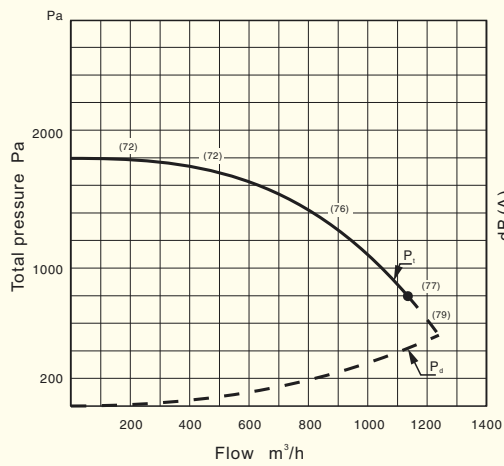
Protection guard inlet

Data

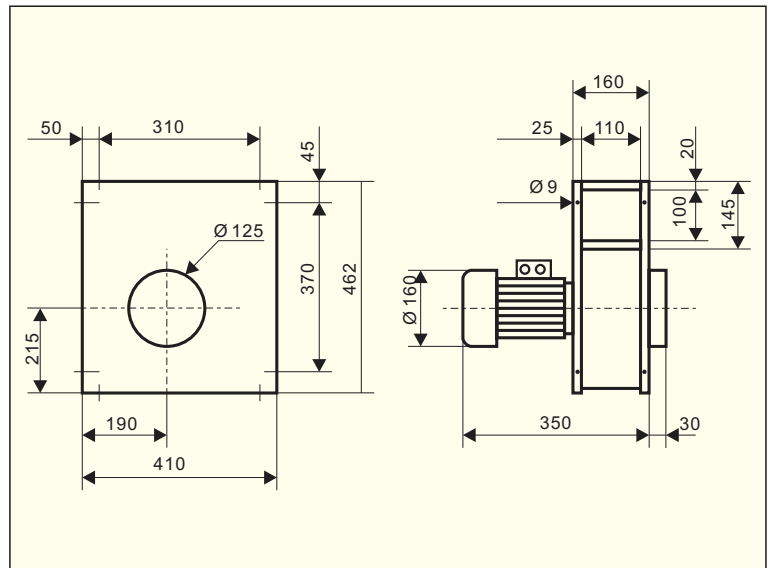
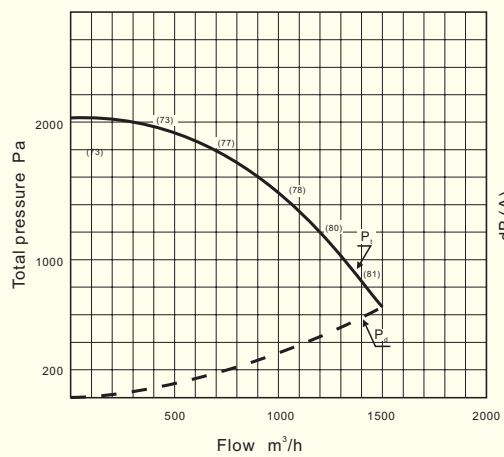
Type	Motor power kW	Speed rpm	Maximum current A	Voltage V	Capacitor μ F	Maximum duty m ³ /h	Weight kg	Article number
GMT 60S	0,37	2800	3,00	230	12	810	13,5	213 240 061
GMT 60T	0,37	2800	1,00	400 Y	12	810	13,5	213 240 071
GMT 80S	0,37	2800	3,00	230	12	950	15,5	213 240 081
GMT 80T	0,37	2800	1,00	400 Y	12	950	13,5	213 240 091
GMT100S	0,55	2800	4,00	230	18	1100	14,5	213 250 501
GMT100T	0,55	2800	1,35	400 Y	18	1100	14,0	213 250 001
GMT130S	0,75	2820	5,10	230	25	1500	20,0	213 251 201
GMT130T	0,75	2820	1,90	400 Y	25	1500	17,5	213 250 801
GMT200S	1,10	2820	7,90	230	30	2200	25,0	213 251 611
GMT200T	1,10	2820	2,50	400 Y	30	2200	22,0	213 251 601
GMT300T	2,20	2860	4,60	400 Y		3200	35,5	213 252 001
GMT500T	4,00	2900	7,80	400 Δ		6800	56,0	213 410 801
GMT700T	7,50	2800	14,00	400 Δ	-	8000	82,5	213 252 801



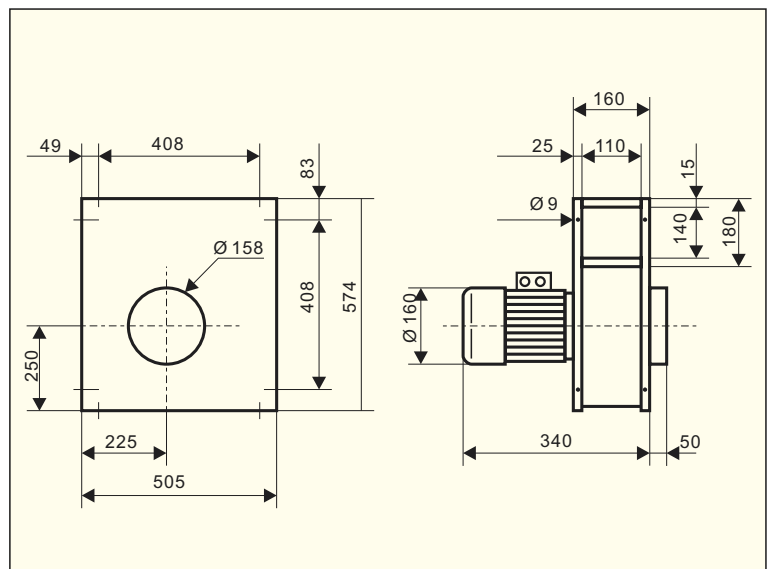
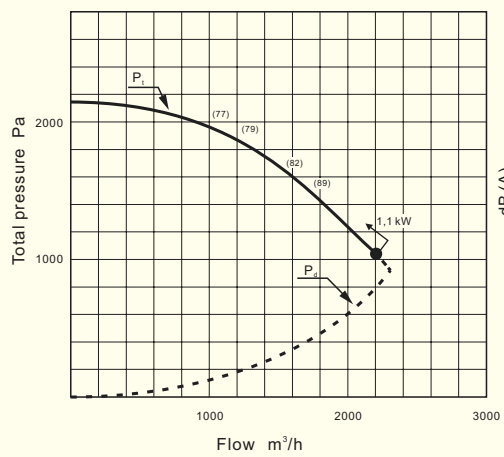
GMT 100 S, GMT 100 T

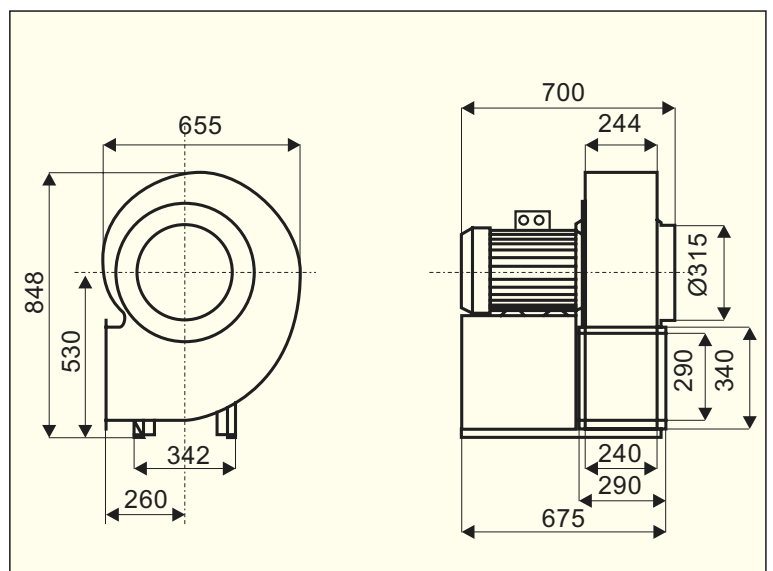
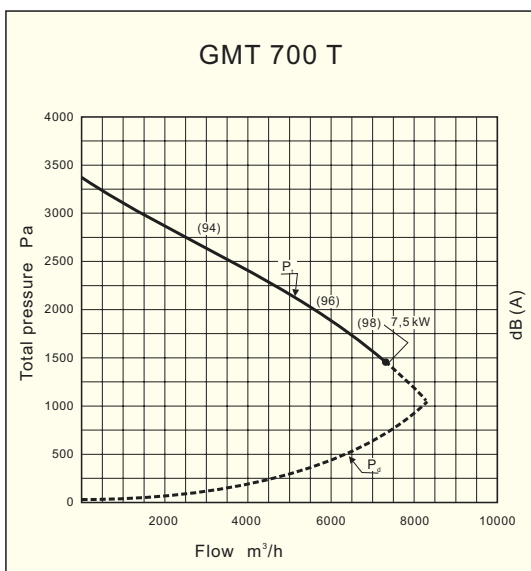
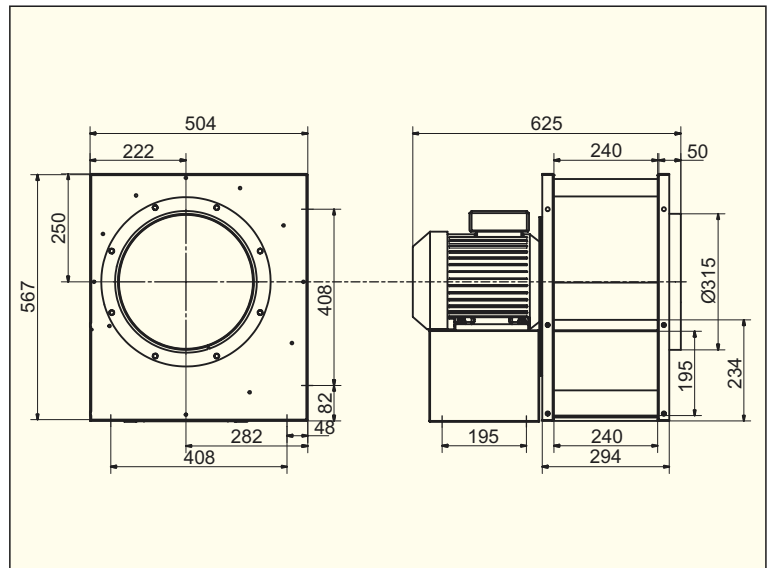
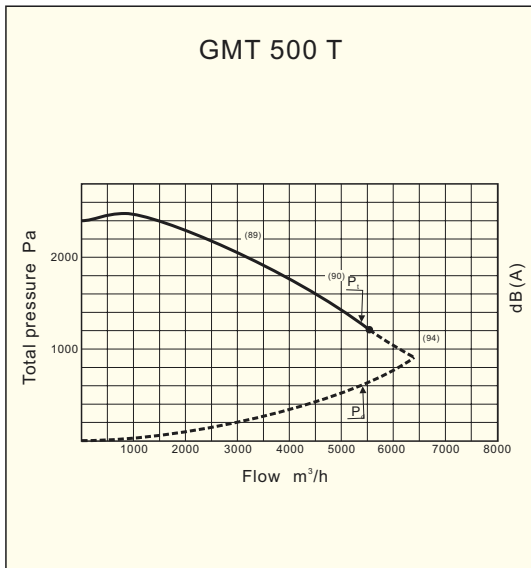
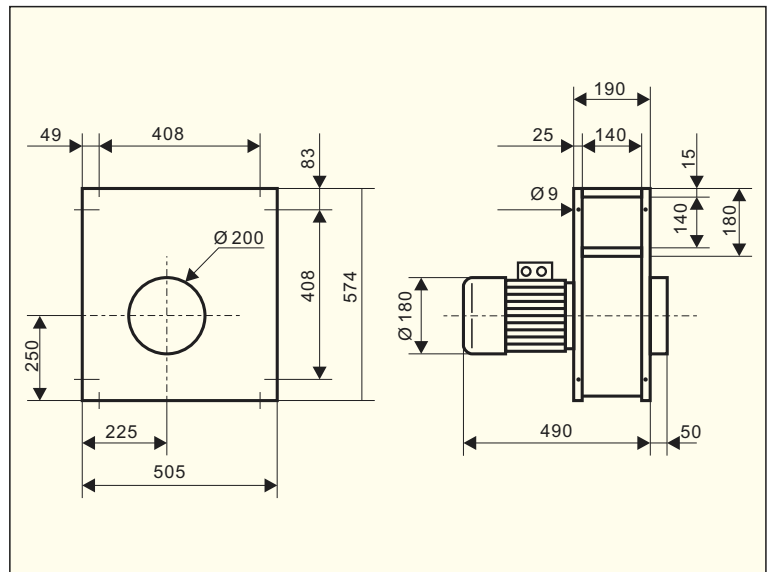
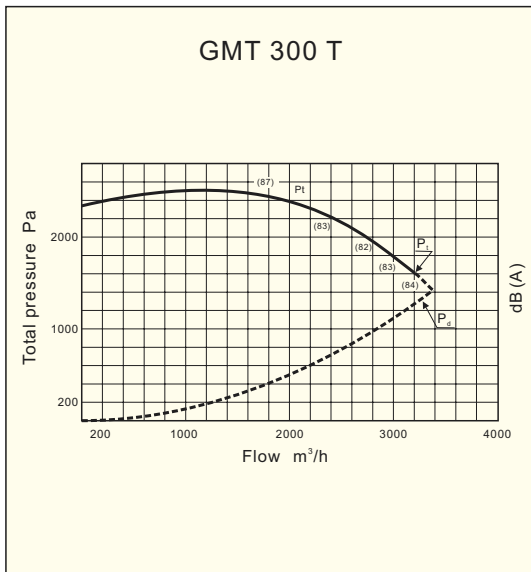


GMT 130 S, GMT 130 T



GMT 200 S, GMT 200 T







Construction

Single inlet direct driven centrifugal fan with spiral formed casing in steel sheet, welded and powder coated RAL9002. Impeller with backward curved (type GSB), or backward straight self-cleaning blades (type MSB), in aluminium or in steel sheet. Casing and impellers in other materials for example stainless steel or galvanized steel sheet may be supplied on request.

Motor

220-240/380-420V, 50Hz (380-420/660-690V over 3kW) three-phase or 220-240V, 50Hz single-phase asynchronous motor with squirrel cage rotor. Enclosure IP55, insulation class F. Special voltage or frequency, improved enclosure IP65, 2-speed motors, explosion proof motor can be supplied on request. Wiring diagram, see page 235.

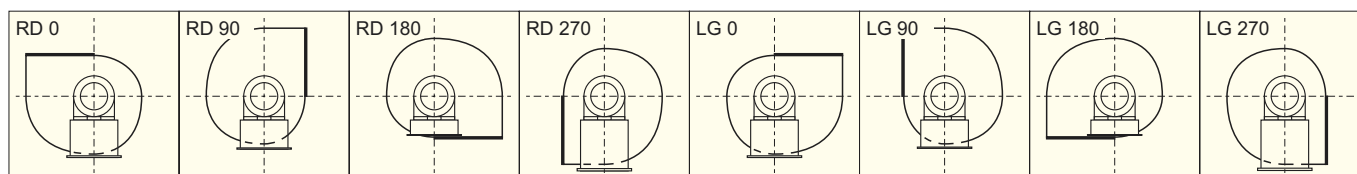
Accessories

Inlet and outlet fittings, wire guards, dampers, etc.

Data

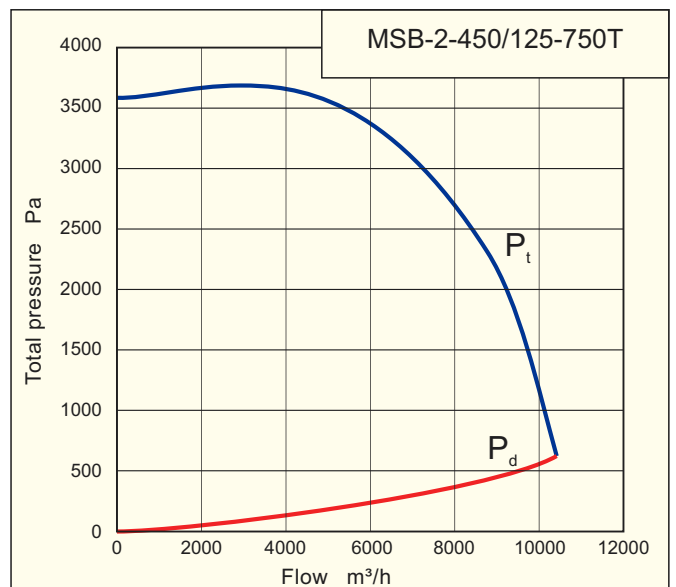
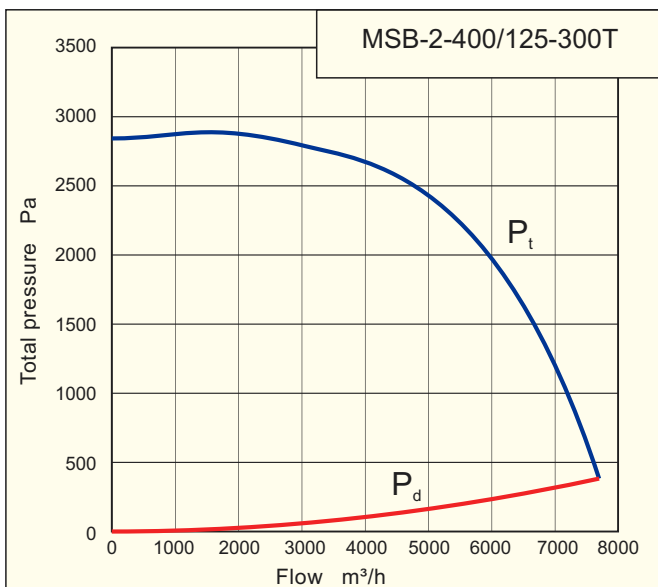
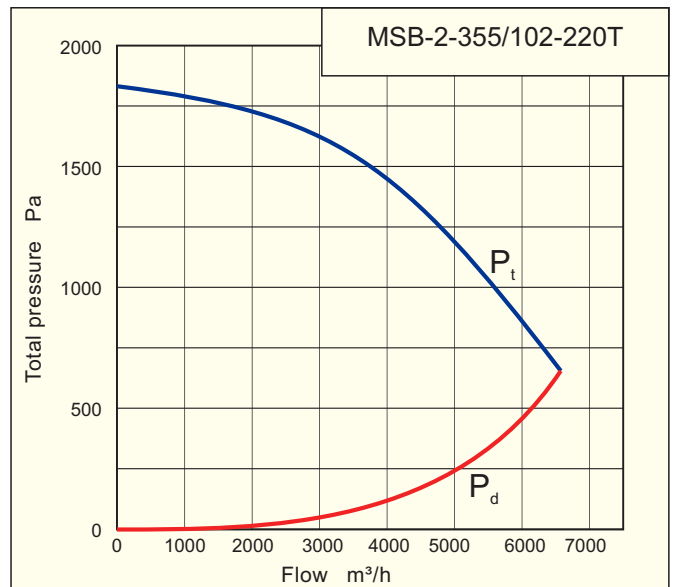
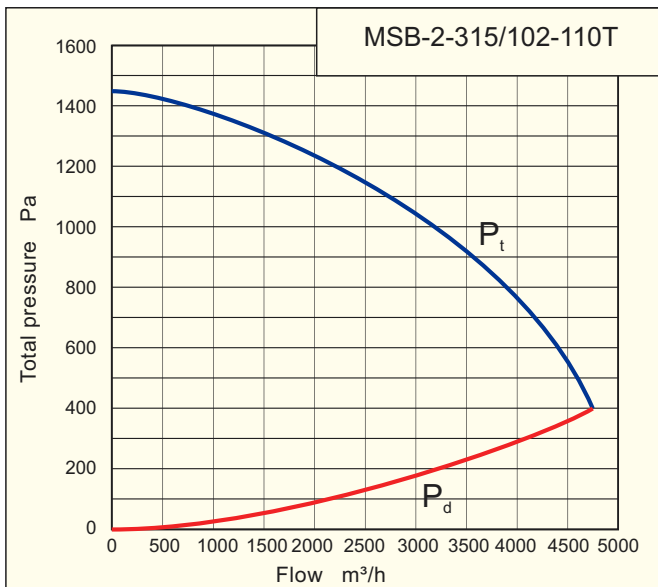
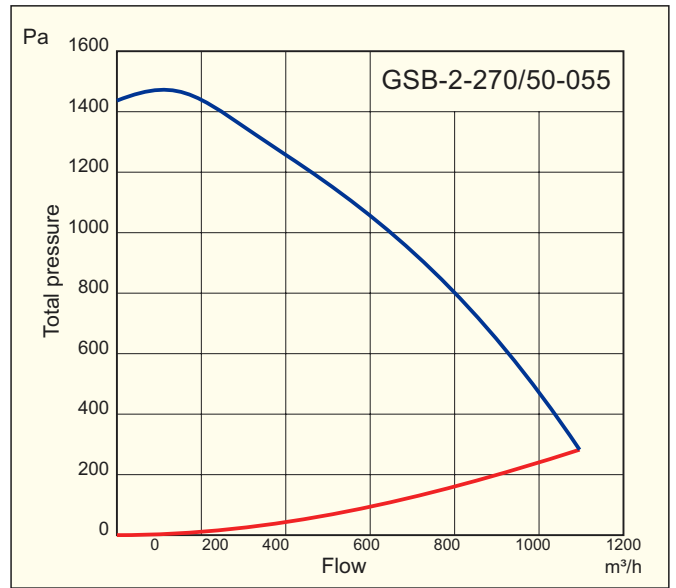
Type	Speed rpm	Motor power kW	Maximum current A	Voltage V	Maximum duty m³/h	Maximum pressure Pa	Sound level* dB(A)	Weight kg	Article number
GSB-2-270/50-055T	2900	0,55	1,35	400	1050	1450	73	30	113 360 270
MSB-2-315/102-110T	2900	1,1	2,5	400	4800	1450	74	40	113 363 315
MSB-2-355/125-220T	2900	2,20	4,60	400	6700	1850	76	45	113 363 355
MSB-2-400/125-400T	2900	4,00	6,50	400	7700	2850	80	55	113 363 400
MSB-2-450/125-750T	2900	7,50	14,0	400	12100	3100	85	88	113 363 450
MSB-2-500/100-1100T	2900	11,00	21,2	400	17500	3600	94	125	113 363 500
MSB-4-500/180-110T	1400	1,10	2,70	400	8000	900	75	95	113 360 500
MSB-2-560/80-1850T	2900	18,50	32,0	400	19000	4400	96	140	113 363 560
GSB-4-560/200-220T	1400	2,20	4,90	400	10000	1200	77	105	113 360 550
GSB-4-630/250-400T	1400	4,00	6,60	400	12500	1400	80	158	113 360 630
GSB-4-710/250-750T	1400	7,50	14,6	400	22000	1800	84	230	113 360 710
GSB-6-710/250-300T	900	3,00	6,90	400	13800	800	77	220	113 360 716
GSB-4-800/280-1500T	1460	15	27,7	400	27500	2280	96	274	113 360 800
GSB-6-800/280-550T	950	5,5	11,8	400	18000	1000	86	221	113 360 820
GSB-4-900/315-2200T	1465	22	38,8	400	39000	2900	100	400	113 360 850
GSB-6-900/315-750T	960	7,5	15,2	400	26000	1250	91	325	113 360 870
GSB-4-1000/355-3700T	1475	37	66	400	54000	3600	103	629	113 360 900
GSB-6-1000/355-1100T	960	11	21,9	400	36000	1550	94	434	113 360 920
GSB-8-1000/355-400T	705	4	9,3	400	27000	890	87	394	113 360 940

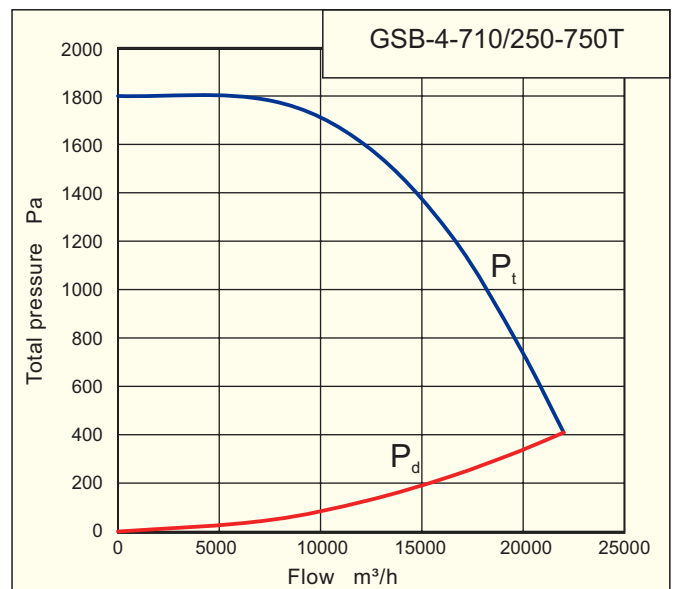
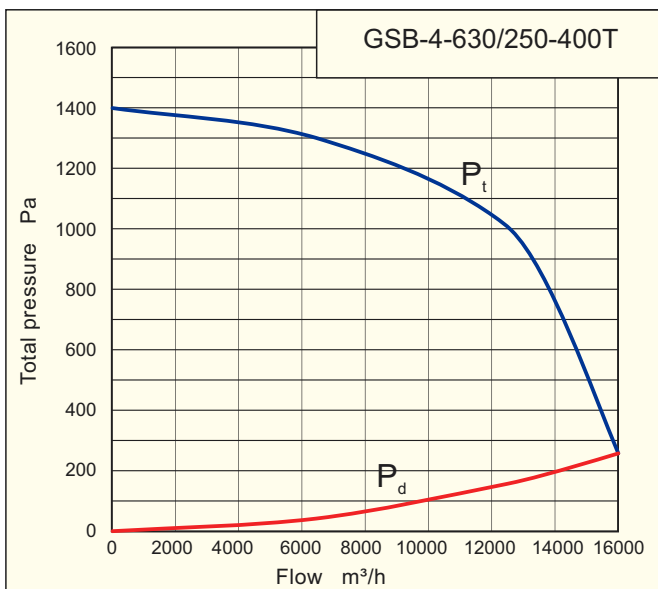
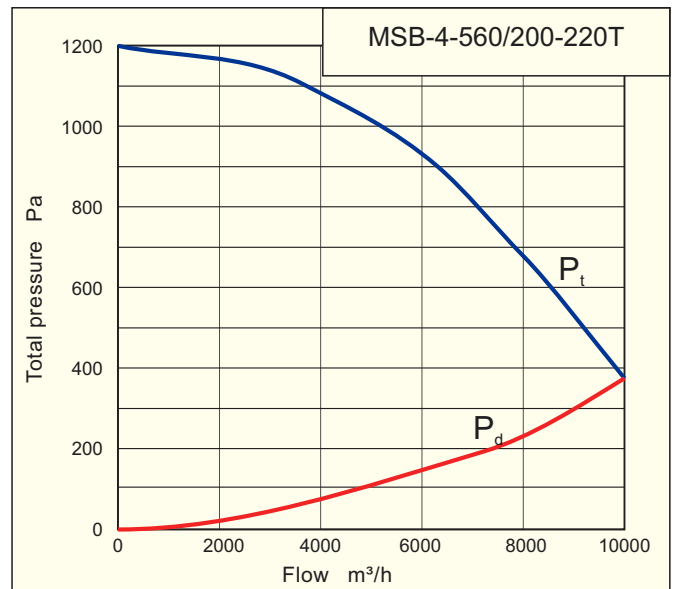
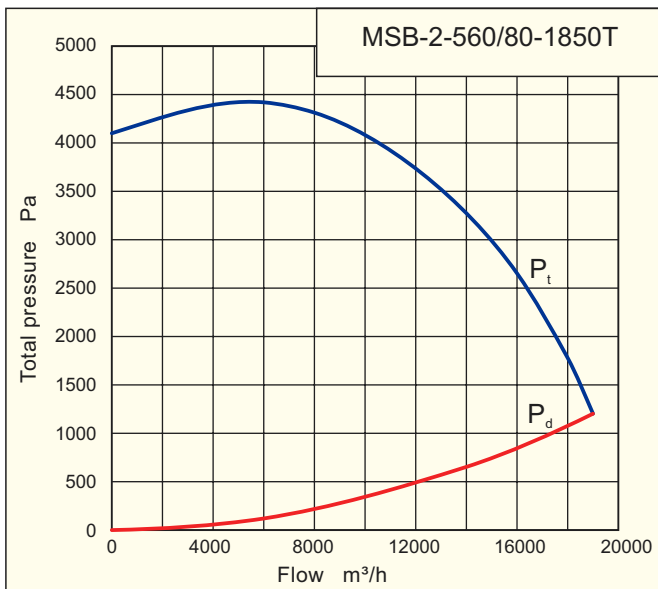
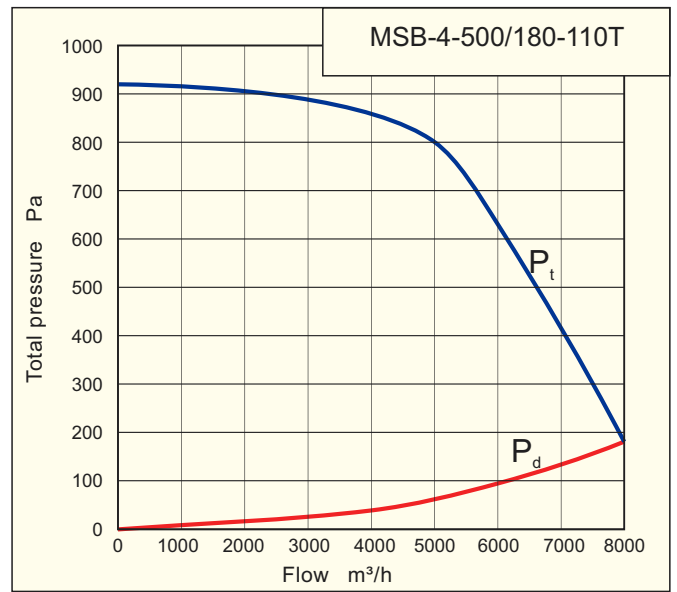
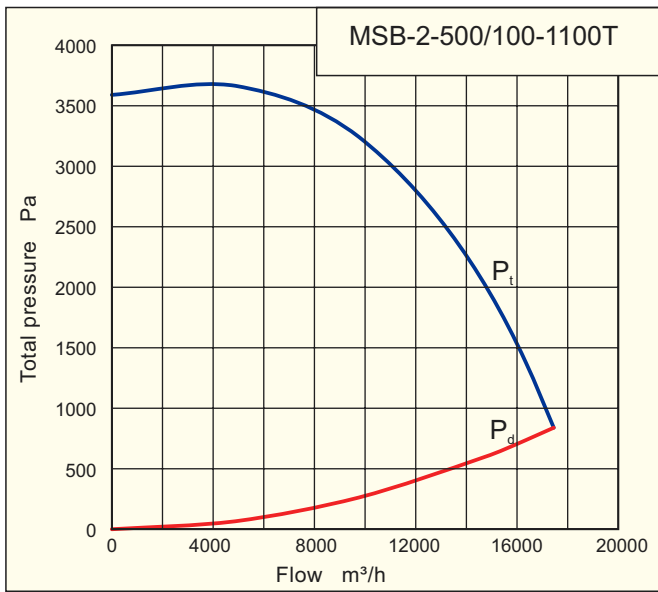
* - in the middle of the performance curve.

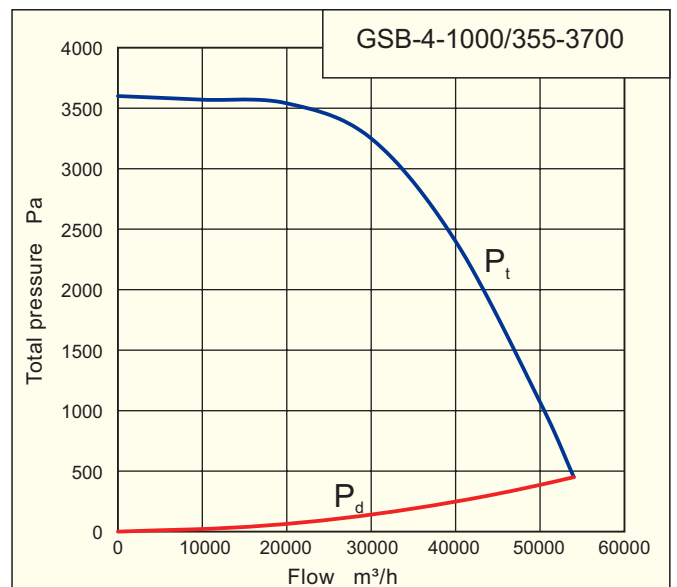
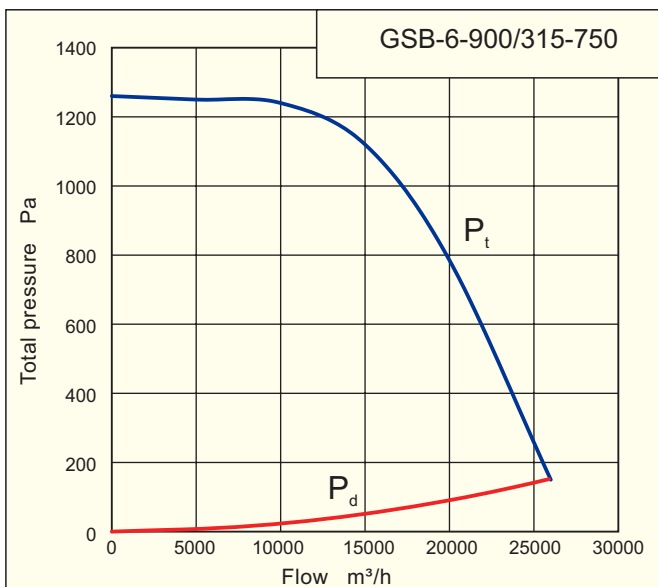
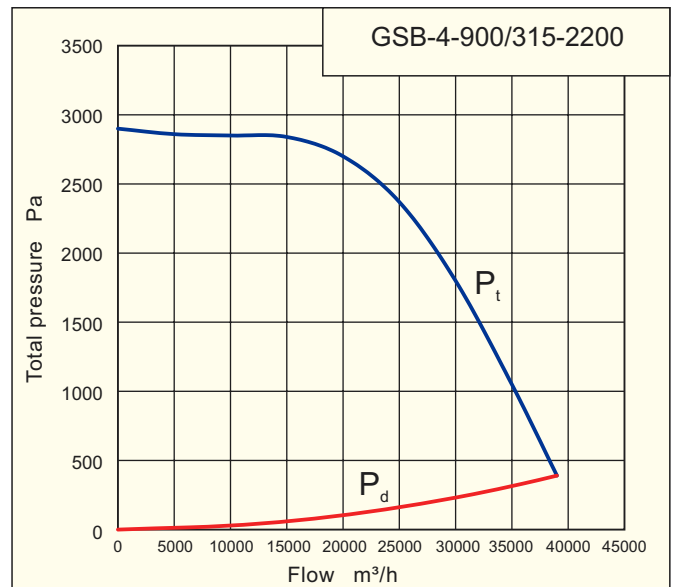
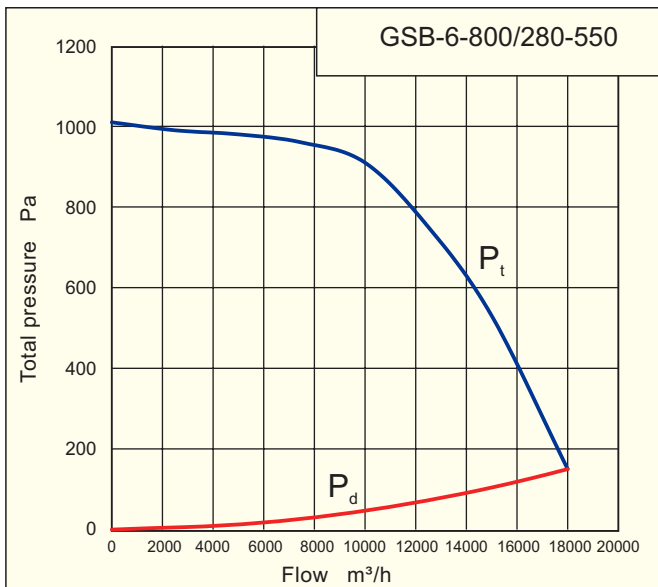
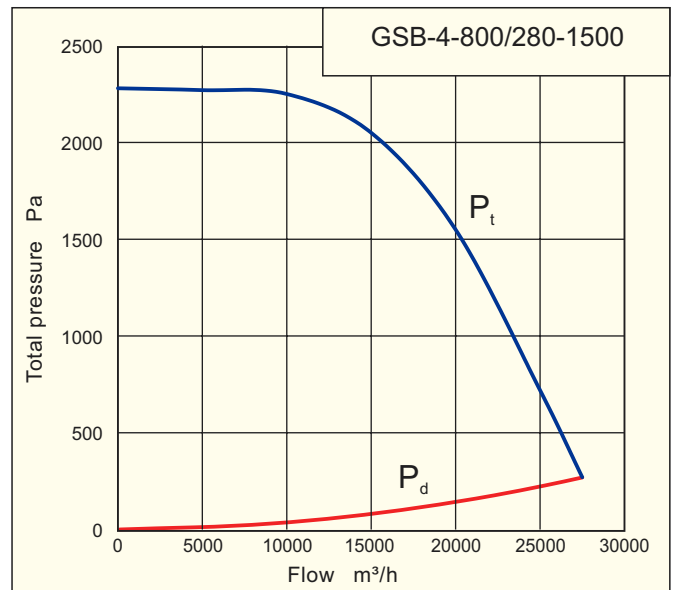
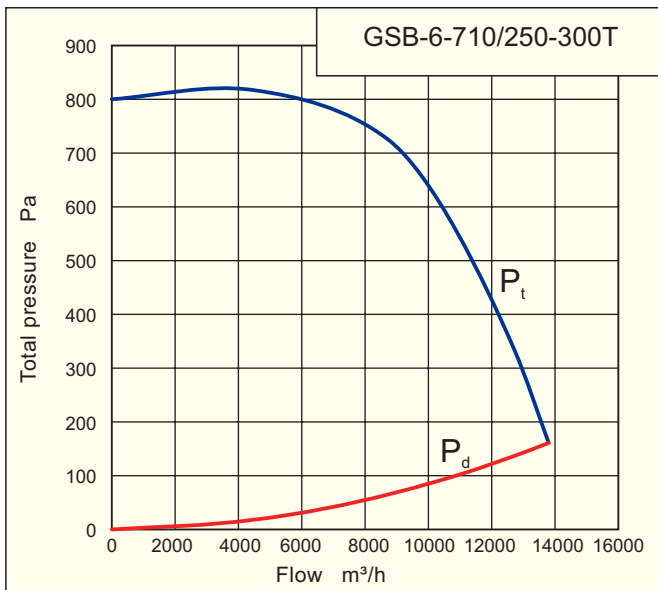


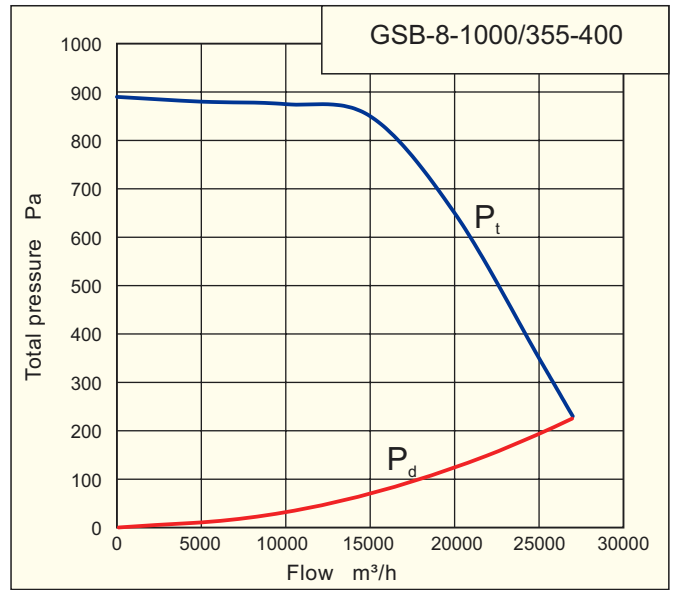
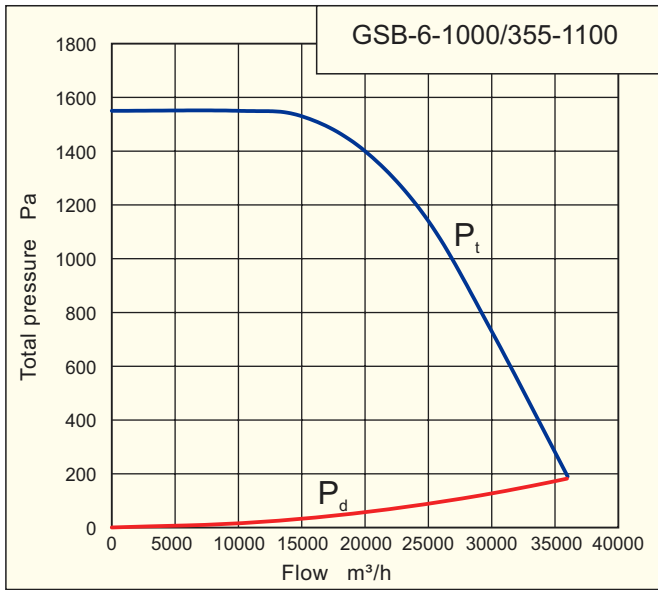
GSB / MSB fans are delivered as standard in LG 270.

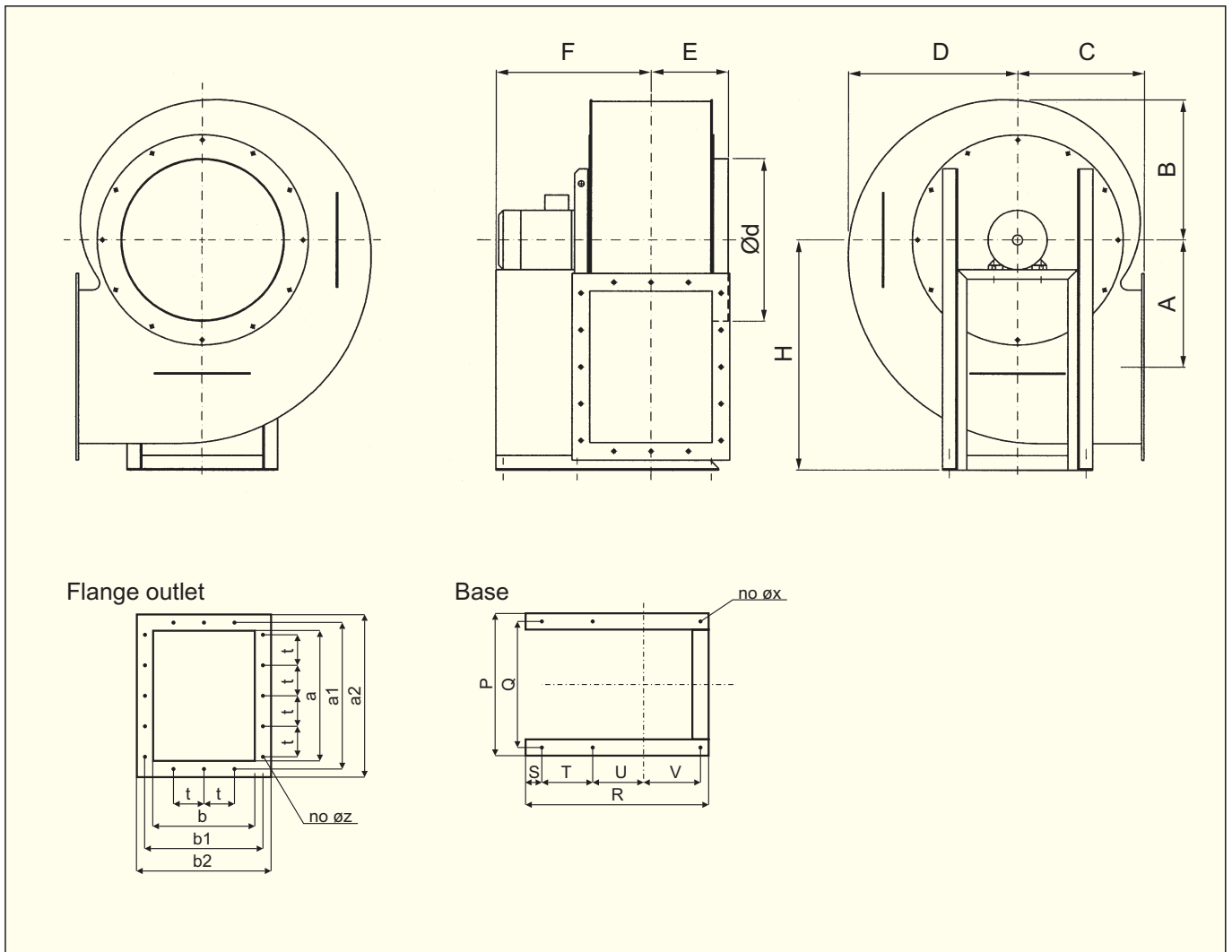
Performance curves











Dimensions in mm

Type	A	B	C	D	E	F	H	P	Q	R	S	T	U	V	no	øx	a x b	a1 x b1	a2 x b2	no	øz	t	ød
270	114	166	187	178	60	330	-	-	-	-	-	-	-	-	-	-	140 x 120	160 x 140	180 x 160	2+2	7	140	270
315	216	240	225	287	153	318	400	237	210	350	18	150	150	-	6	12	256 X 198	291 x 233	326 x 268	6+4	11,5	112	315
355	225	256	230	298	172	398	400	257	230	572	38	200	160	160	6	12	243 x 232	278 x 267	313 x 302	6+4	11,5	112	315
400	273	304	265	364	183	431	500	276	240	436	31	190	190	-	6	12	328 x 258	368 x 298	408 x 338	6+4	10	125	355
450	284	322	300	375	199	497	500	316	280	517	27	235	175	60	6	15	308 X 290	348 x 330	388 x 370	6+6	10	125	400
500	341	377	335	453	219	435	610	396	360	600	25	200	209.5	140.5	6	15	400 x 315	448 x 365	488 x 405	8+6	10	125	450
560	323	380	360	428	236	500	560	386	350	520	30.5	235	235	-	6	15	323 x 365	405 x 363	445 x 403	6+6	10	125	500
630	429	474	425	569	272	535	780	505	460	750	25	250	260	190	6	18	513 x 435	573 x 495	633 x 555	10+6	10	125	550
710	417	490	445	580	309	667	805	536	491	-	36	317.5	317.5	-	6	18	532 x 460	592 x 520	652 x 580	10+8	12	125	500
800	546	591	513	712	350	800	970	386	350	605	26	280	203	77	6	15	640 x 500	700 x 560	760 x 620	6+4	10	125	800
900	615	664	577	801	380	880	1080	536	491	862	26	400	245	155	6	18	720 x 560	780 x 620	840 x 680	10+4	10	125	900
1000	682	738	641	890	415	1050	1200	620	580	920	26	400	265	160	6	18	800 x 630	860 x 690	920 X 750	10+4	10	125	1000



Construction

Single inlet belt driven centrifugal fan with spiral formed casing in steel sheet, welded and powder coated RAL9002. Impeller with backward straight self-cleaning blades in steel sheet. Casing and impellers in other materials for example stainless steel or galvanized sheet may be supplied on request.

Motor

230/400V or 400/690V, 50Hz three-phase asynchronous motor with squirrel cage rotor. Enclosure IP55, insulation class F. Special voltage or frequency, improved enclosure IP65, explosion proof motor can be supplied on request.

Wiring diagram see page 235.

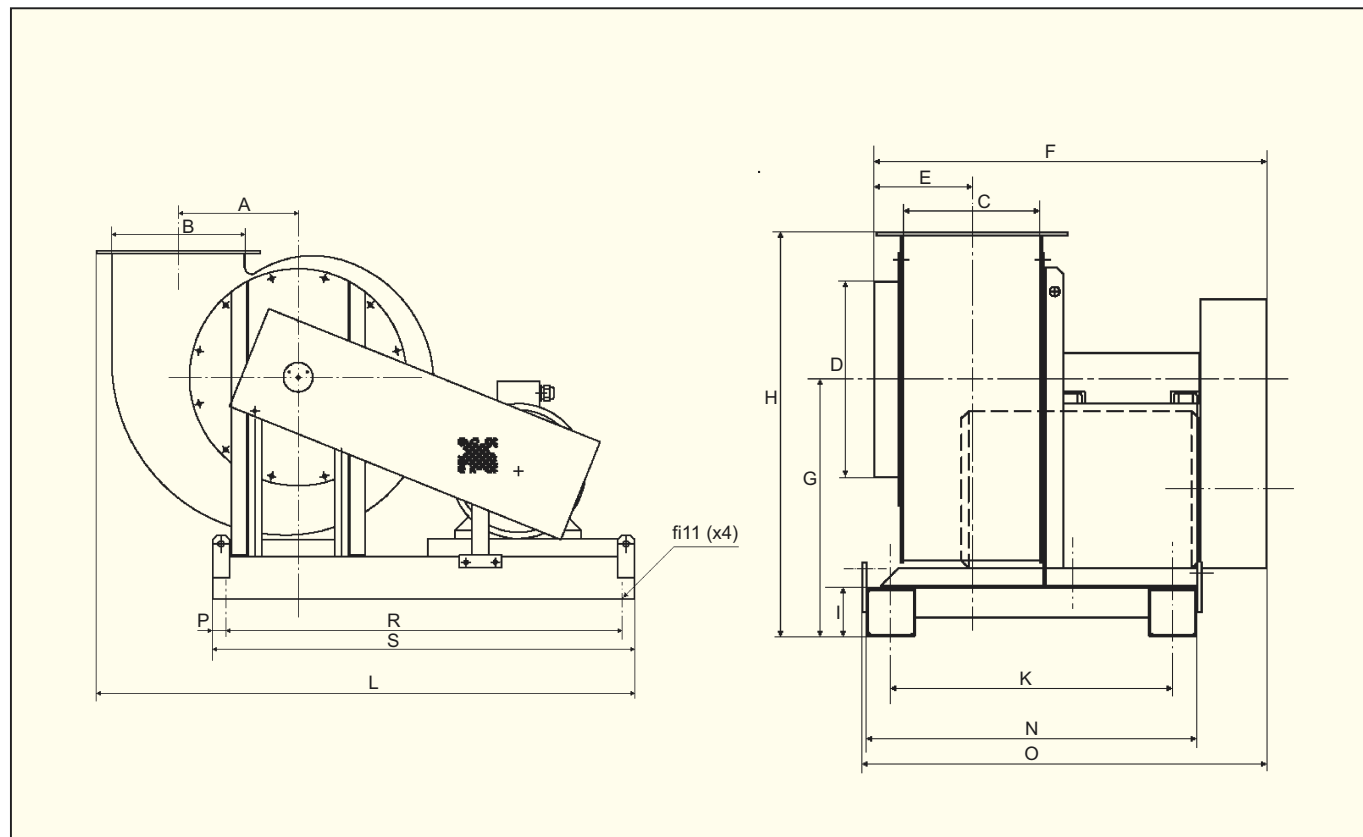
Accessories

Inlet and outlet fittings, wire guards, dampers, etc.

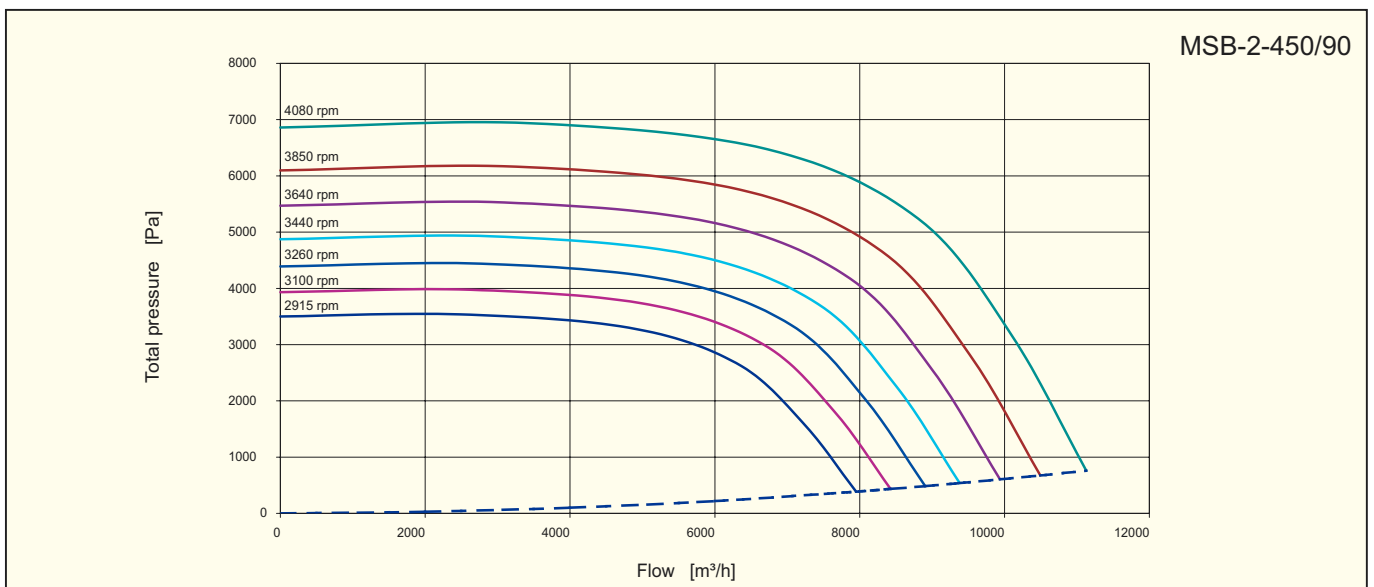
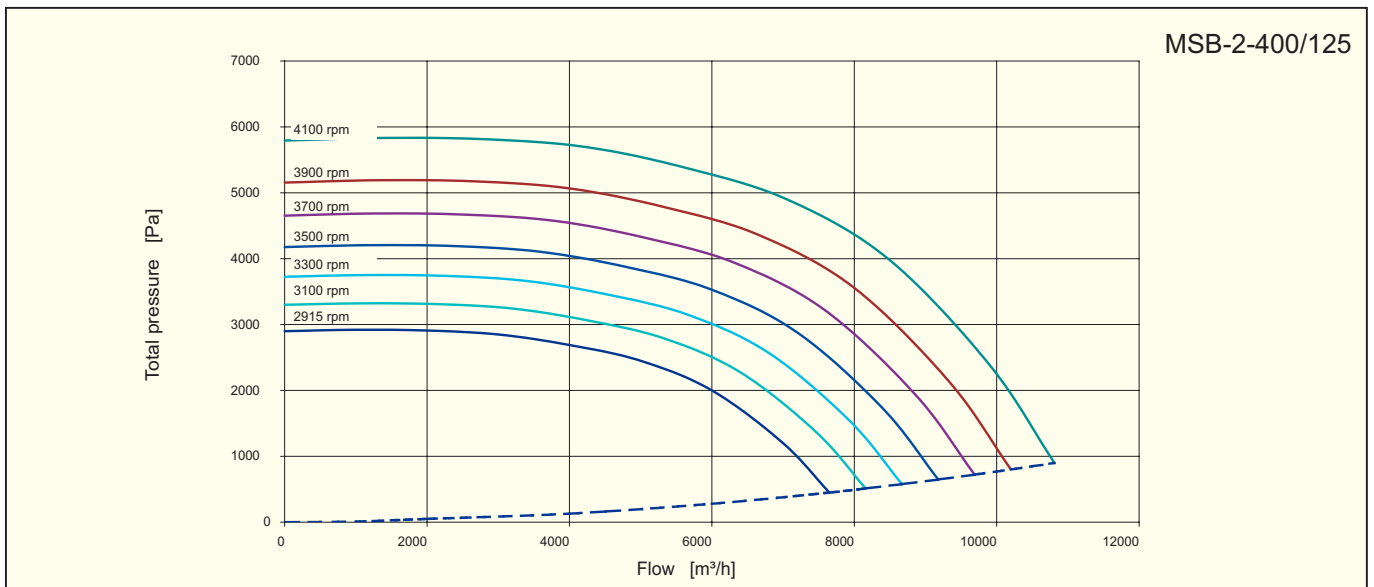
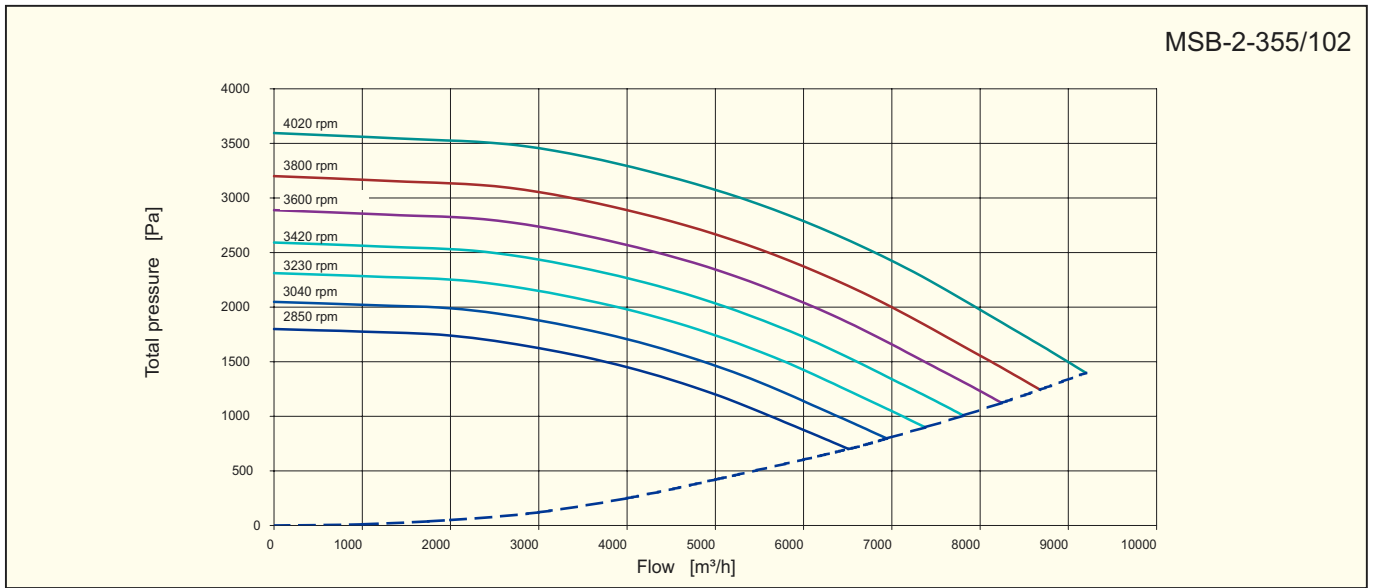


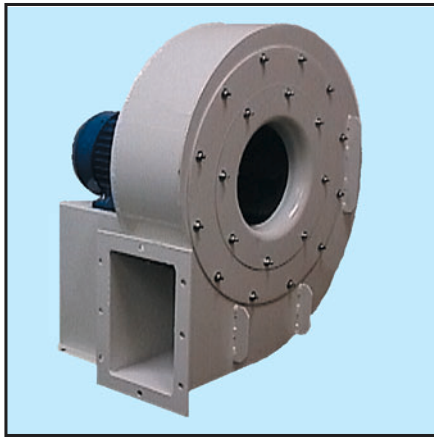
Type	Motor power kW	Speed rpm	Voltage V	Maximum current A	Maximum duty m ³ /h	Pressure max Pa	Weight kg	Article number
MSB-355/102-28-220T	2,2	2850	400	4,6	6500	1800	155	113364355
MSB-355/102-30-300T	3,0	3050	400	6,0	6950	2050	160	113364360
MSB-355/102-32-400T	4,0	3230	400	7,8	7350	2300	165	113364365
MSB-355/102-34-550T	5,5	3420	400	10,3	7800	2550	180	113364370
MSB-355/102-36-550T	5,5	3600	400	10,3	8250	2850	180	113364375
MSB-355/102-38-550T	5,5	3800	400	10,3	8650	3200	180	113364380
MSB-355/102-40-750T	7,5	4020	400	13,7	9200	3600	185	113364385
MSB-400/125-29-400T	4,0	2900	400	7,8	7650	2900	180	113364400
MSB-400/125-31-550T	5,5	3100	400	10,3	8150	3300	195	113364405
MSB-400/125-33-750T	7,5	3300	400	13,7	8650	3720	200	113364410
MSB-400/125-35-750T	7,5	3500	400	13,7	9180	4170	200	113364415
MSB-400/125-37-1100T	11,0	3700	400	20,2	9700	4650	220	113364420
MSB-400/125-39-1100T	11,0	3900	400	20,2	10200	5150	220	113364425
MSB-400/125-41-1500T	15,0	4100	400	26,7	10800	5800	230	113364430
MSB-450/90-29-750T	7,5	2900	400	13,7	7950	3500	210	113364450
MSB-450/90-31-1100T	11,0	3100	400	20,2	8400	3900	230	113364455
MSB-450/90-33-1500T	15,0	3260	400	26,7	8900	4300	230	113364460
MSB-450/90-35-1500T	15,0	3440	400	26,7	9350	4850	240	113364465
MSB-450/90-37-1850T	18,5	3640	400	32,2	9900	5450	255	113364470
MSB-450/90-39-1850T	18,5	3850	400	32,2	10500	6100	255	113364475
MSB-450/90-41-2200T	22,0	4080	400	39,3	11100	6850	275	113364480

Dimensions in mm



Type	A	B	C	D	E	F	G	H	I	K	L	N	O	P	R	S
355	225	243	232	315	172		425	700			1150					
400	273	328	258	355	183	800	525	800	100	575	1200	675	825	30	940	1000
450	284	308	280	400	199		525	825			1275					





Construction

Single inlet direct driven centrifugal fan with spiral formed casing in steel sheet, welded and powder coated RAL9002. Impeller with backward curved blades in steel sheet. Casing and impeller in other materials for example stainless steel or galvanized steel sheet may be supplied on request.

Motor

220-240/380-420V, 50Hz (380-420/660-690V over 3kW) three-phase or 220-240V, 50Hz single-phase asynchronous motor with squirrel cage rotor. Insulation class F, enclosure IP55. Special voltage or frequency, improved enclosure IP65, 2-speed motors and explosion proof motors can be supplied on request. Wiring diagram, see page 235.



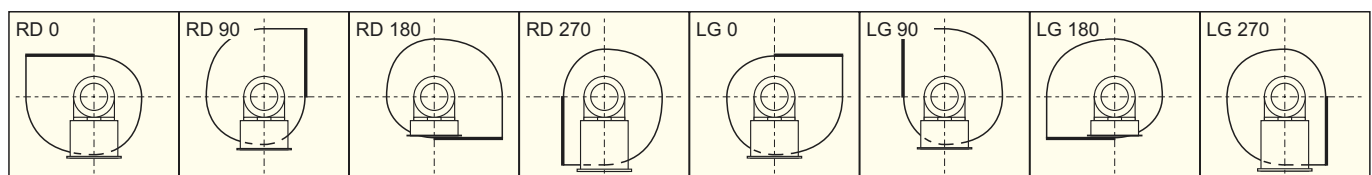
Accessories

Inlet and outlet fittings, wire guards, dampers, etc.

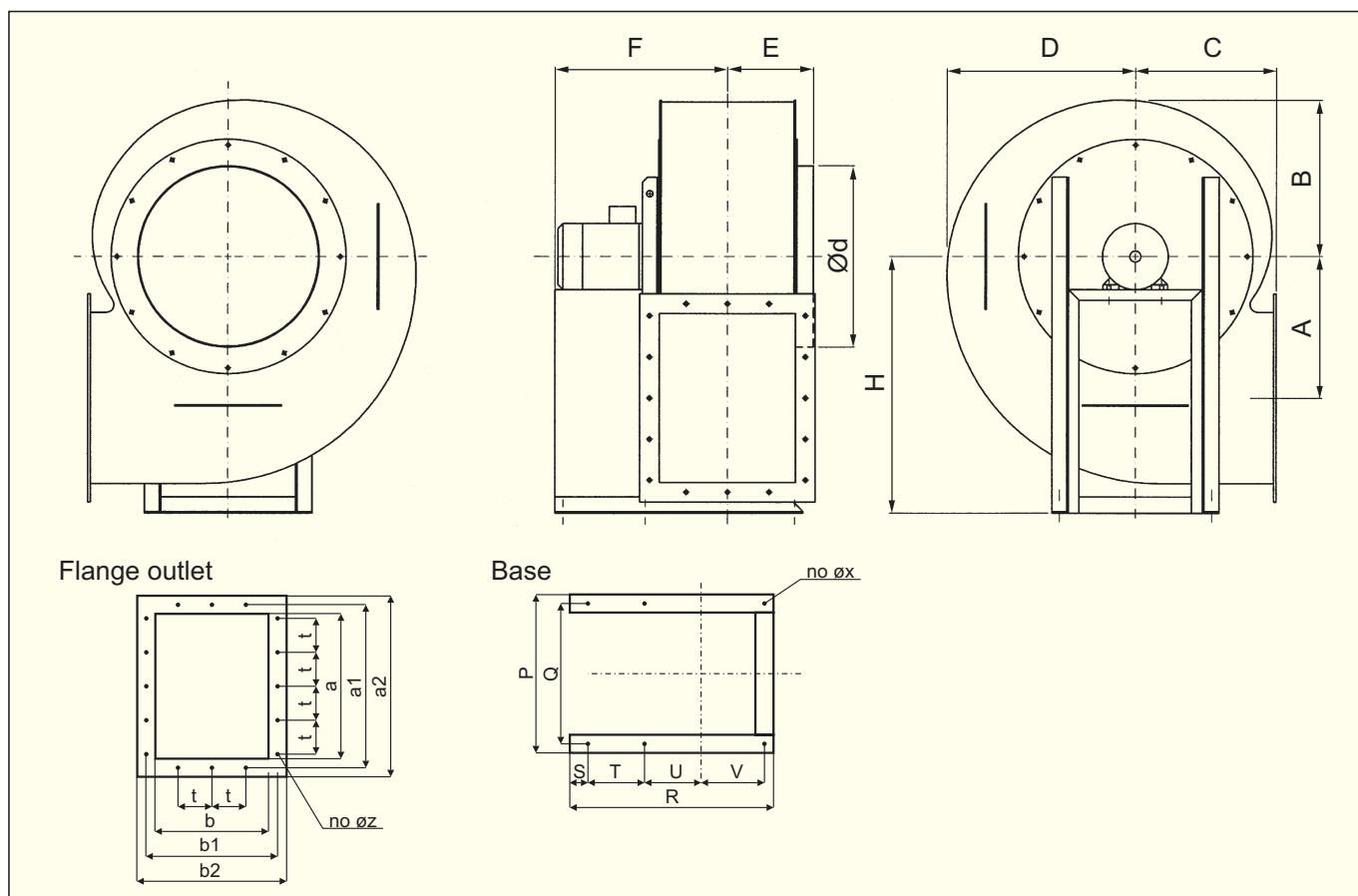
Data

Type	Speed rpm	Motor power kW	Maximum current A	Maximum duty m³/h	Maximum pressure Pa	Sound level* dB(A)	Weight kg	Article number
HSB-2-355/53-110T	2900	1.1	2.5	1800	2100	79	57	113 365 355
HSB-2-400/67-220T	2900	2.2	4.6	4400	2700	84	67	113 365 400
HSB-2-450/75-400T	2900	4.0	7.8	5500	3400	86	75	113 365 450
HSB-2-500/85-750T	2900	7.5	14.0	8500	4200	88	125	113 365 500
HSB-2-560/95-1100T	2900	11.0	21.2	11000	5800	90	140	113 365 560
HSB-2-630/106-1850T	2900	18.5	32.0	8900	6800	95	297	113 365 630
HSB-2-710/85-2200T	2900	22.0	40.0	8500	9200	99	305	113 365 710

* - in the middle of the performance curve.



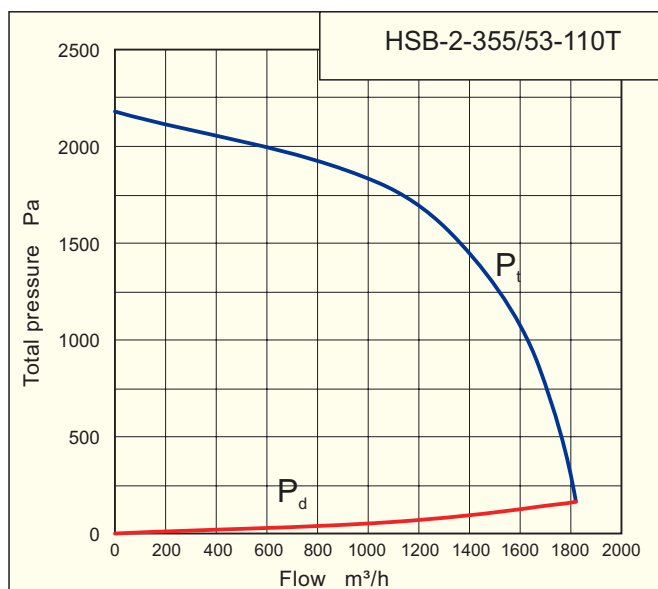
HSB fans are supplied as a standard in LG design.

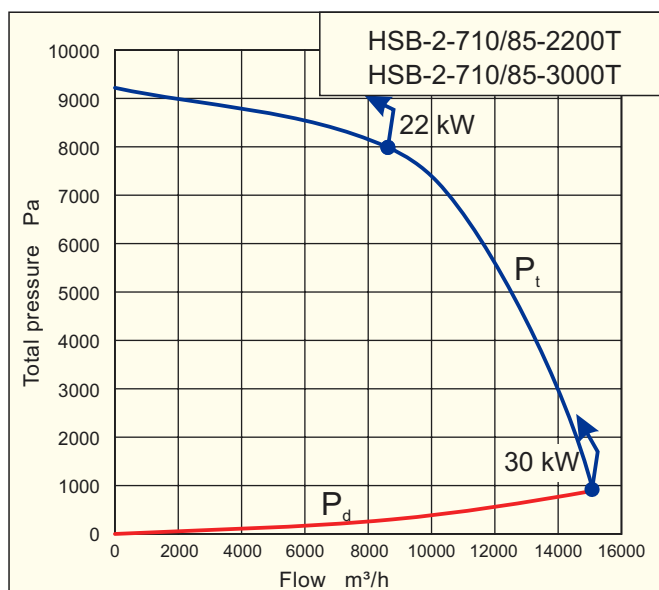
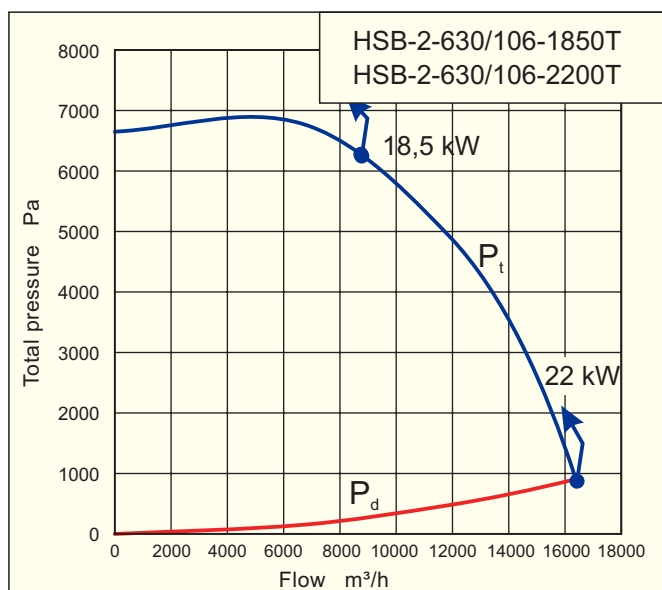
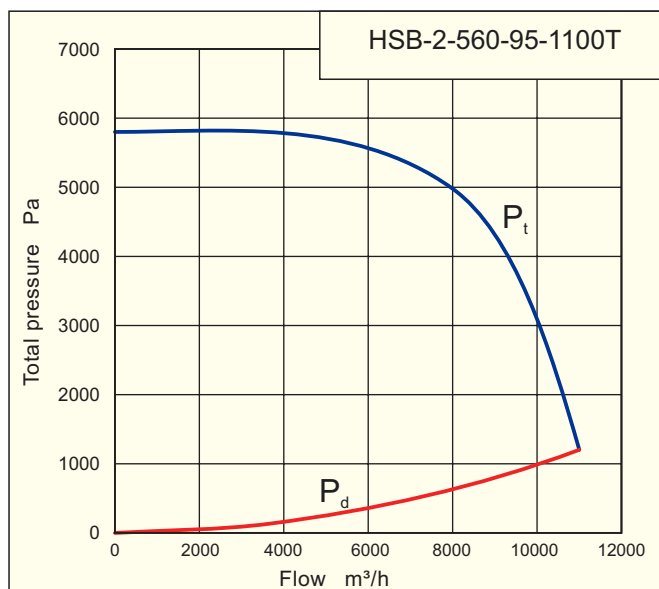
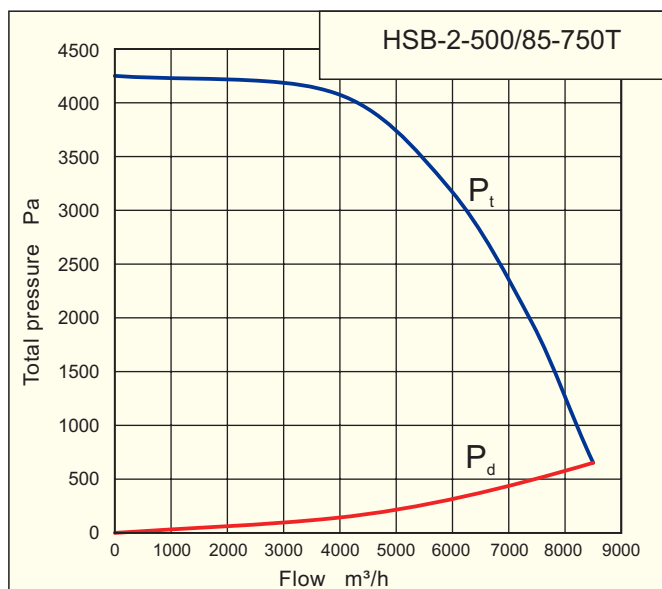
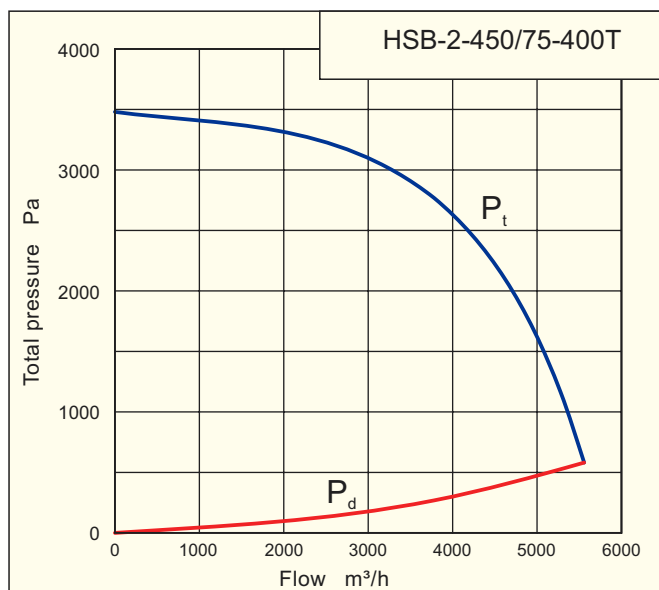
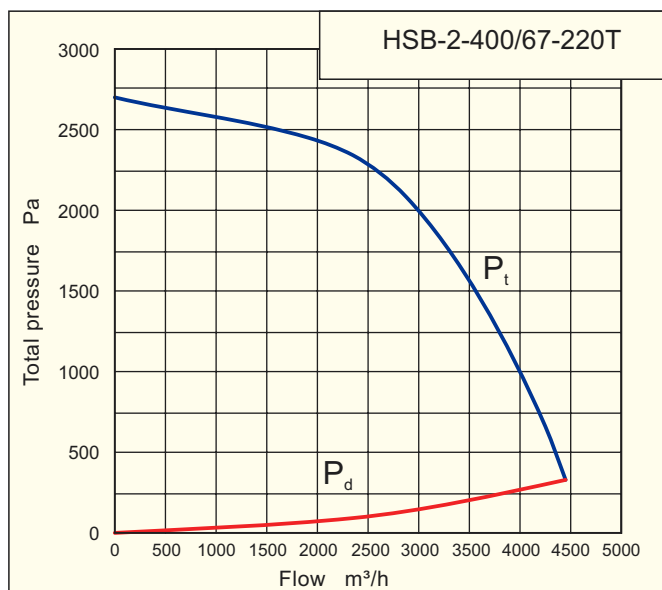


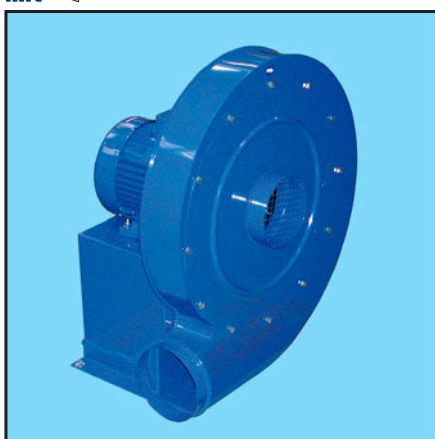
Dimensions in mm

Type	A	B	C	D	E	F	H	P	Q	R	S	T	U	V	no	øx	a x a1	a2 x b	b1 x b2	no	øz	t	ød
355	225	256	230	298	123	300	400	257	230	230	38	150	110.5	99.5	4	12	243 x 278	313 x 133	168 x 203	6+4	8	112	200
400	273	304	265	364	135	361	500	276	240	436	31	190	140	50	6	12	328 x 368	408 x 158	198 x 238	6+4	10	125	250
450	284	322	300	375	142	437	500	316	280	517	27	235	175	60	6	15	308 x 348	388 x 170	210 x 250	6+4	10	125	315
500	341	377	335	453	151	532	610	396	360	600	25	200	306.5	43.5	6	15	408 x 448	488 x 189	229 x 269	8+4	10	125	315
560	323	380	360	428	164	510	560	386	350	605	25.5	280	203	77	6	15	323 x 363	403 x 211	251 x 291	6+4	10	125	355
630	429	474	425	569	174	629	780	505	460	750	25	250	354	96	6	18	513 x 573	633 x 234	294 x 354	10+4	10	125	400
710	417	490	445	580	182	682	805	536	491	862	26	400	245	155	6	18	532 x 592	652 x 210	270 x 330	10+4	12	125	500

Performance curves







Construction

Single inlet centrifugal fan with spiral formed casing, impeller with self cleaning blades.

Fan GST-2-180/00 has impeller and casing of stainless acid proof steel and temperature barrier which allows max. temperature 150°C.

Motor

220-240/380-420V, 50Hz (380-420/660-690V above 3kW) three-phase asynchronous motor. Enclosure IP55, insulation class F. Special voltage or frequency, improved enclosure IP65 and explosion proof motor can be supplied on request.

Wiring diagram, see page 235.

Accessories

Inlet and outlet fittings, wire guard, etc.



GST-2-180/00

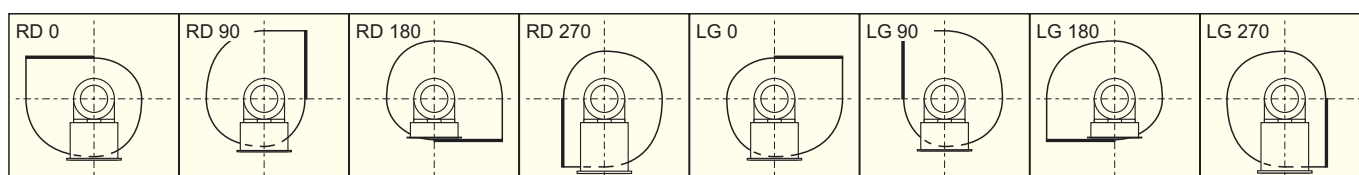


80°C

Data

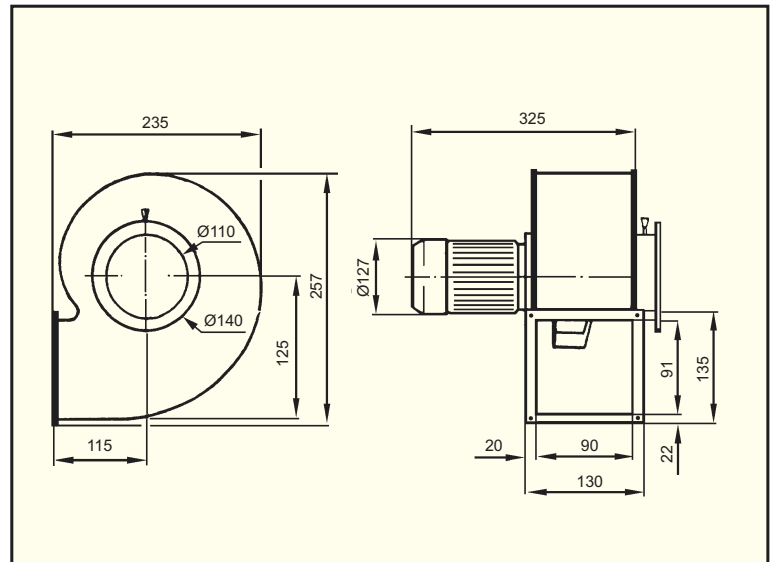
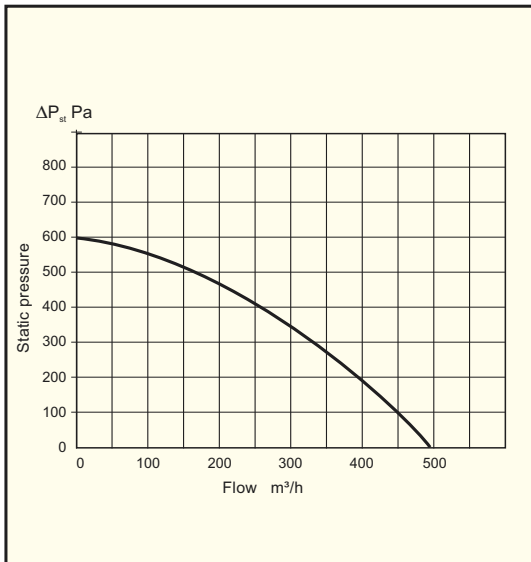
Type	Motor power kW	Voltage V	Maximum current A	Maximum duty m³/h	Pressure (max) Pa	Sound level * dB(A)	Weight kg	Article number
GST-2-180/00-018T	0,18	230/400	1,07/0,62	500	600	77	7	113 211 001
GST-2-180/75-055T	0,55	230/400	2,37/1,37	950	600	79	9	113 350 275
GST-2-440/40-110T	1,10	230/400	4,20/2,45	580	3900	87	15	113 371 040
GST-2-440/40-220T	2,20	230/400	8,30/4,80	1600	3900	87	30	113 371 140
GST-2-520/40-400T	4,00	400/690	7,80/4,45	2800	5100	92	50	113 371 601
GST-2-520/40-550T	5,00	400	10,90	3500	5100	94	55	113 371 620
GST-2-600/40-750T	7,50	400	14,00	5200	7150	94	83	113 371 640
GST-2-600/40-1100T	11,00	400	21,20	5900	7150	98	108	113 371 660

* - in the middle of the performance curve.

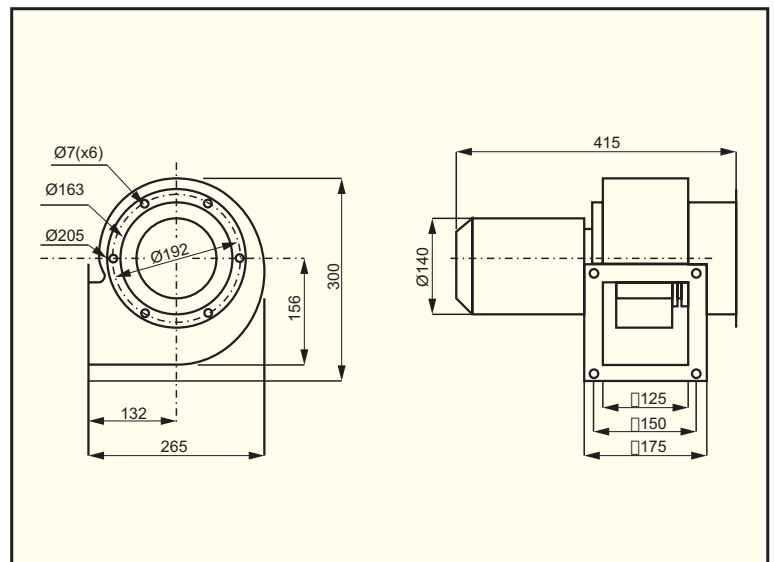
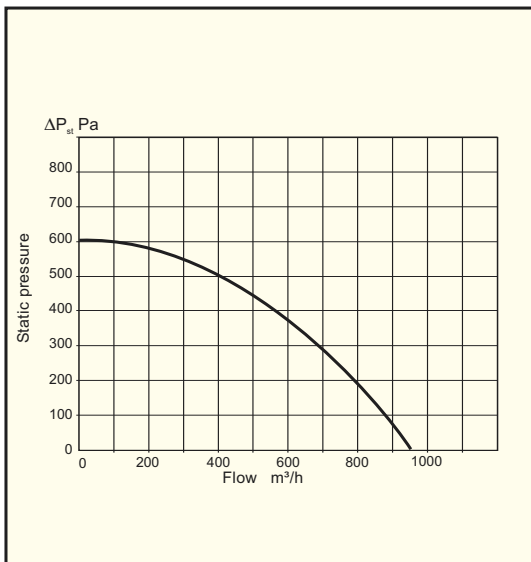


Performance curves

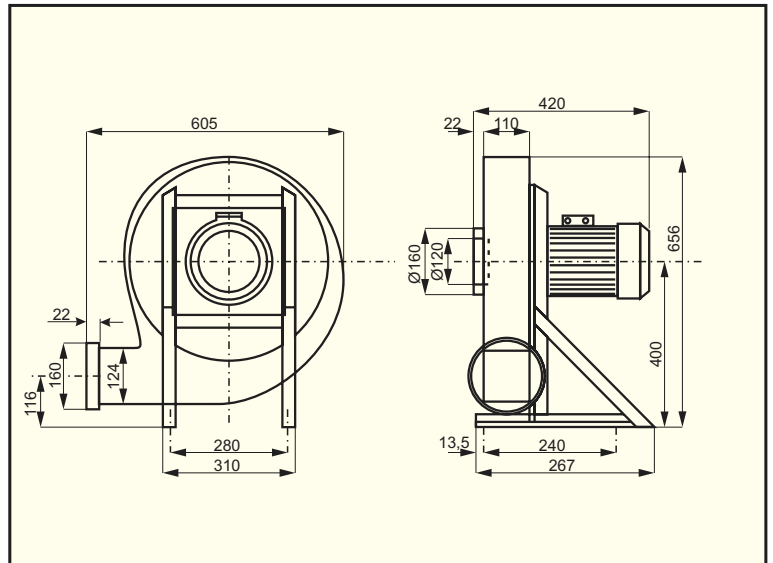
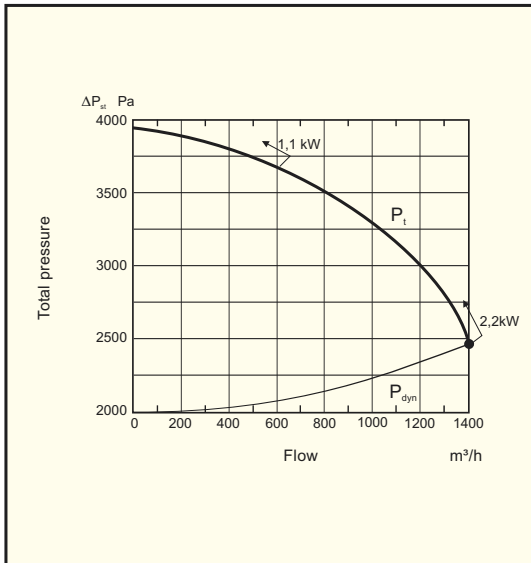
GST-2-180/00-018T



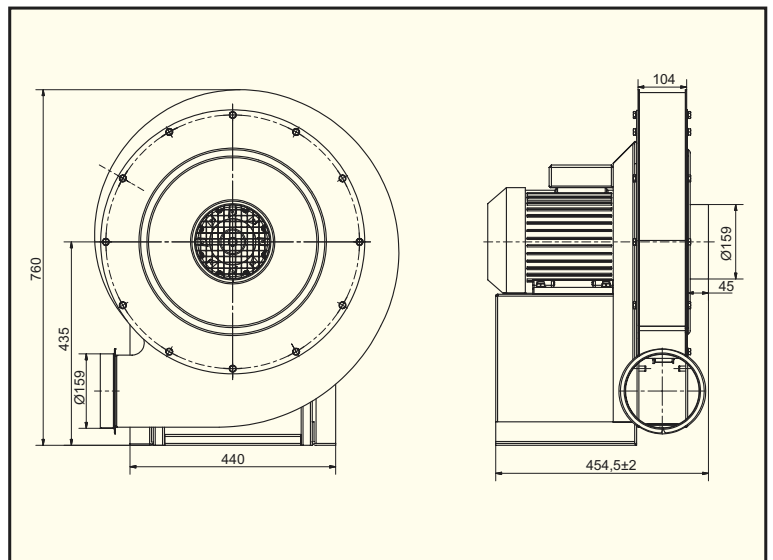
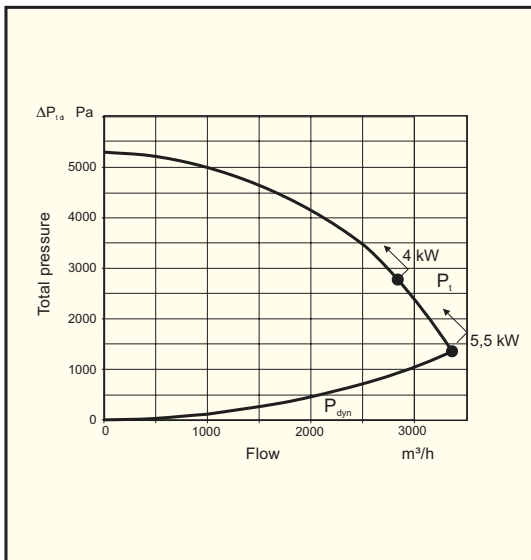
GST-2-180/75-055T



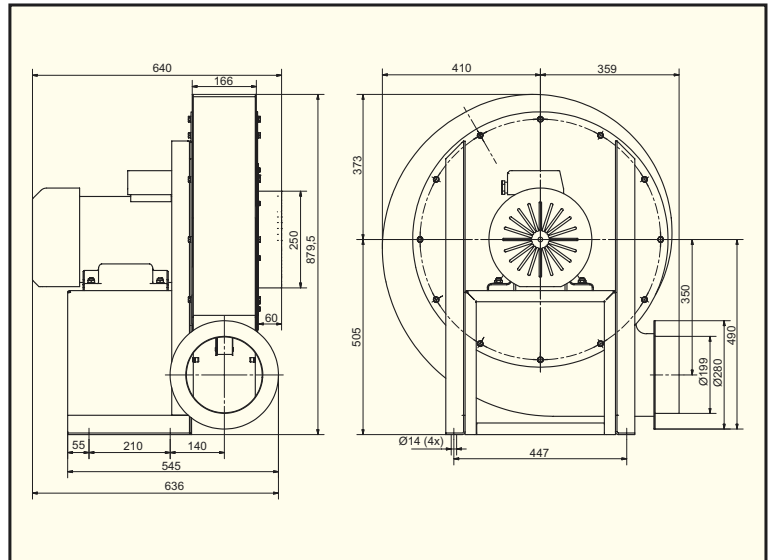
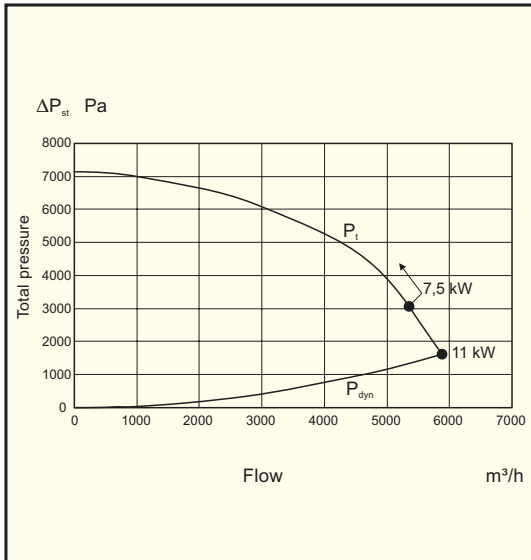
GST-2-440/40 - □T

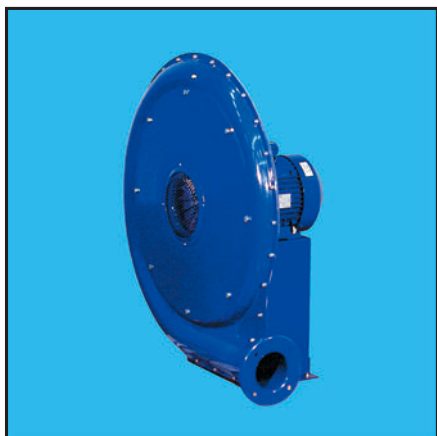


GST-2-520/40 - □T



GST-2-600/40 - □T





Construction

Radial bladed impeller of steel sheet riveted and welded construction, dynamically balanced. The casing comprises two sheet steel pressings bolted together to enclose the impeller. The motor pedestal has a pressed steel front plate to which the casing is bolted at the desired angle. The fan is designed for non-aggressive and non-explosive gases. Design for corrosive gases, higher running temperatures, etc. can be supplied on request.

Motor

230/400V, 50Hz (400/690V, 50Hz) three-phase asynchronous motor, suitable for speed control with frequency control. Insulation class F, enclosure IP55. Special voltage or frequency, improved enclosure IP65, 2-speed motors and explosion proof motors can be supplied on request. Wiring diagram, see page 235.



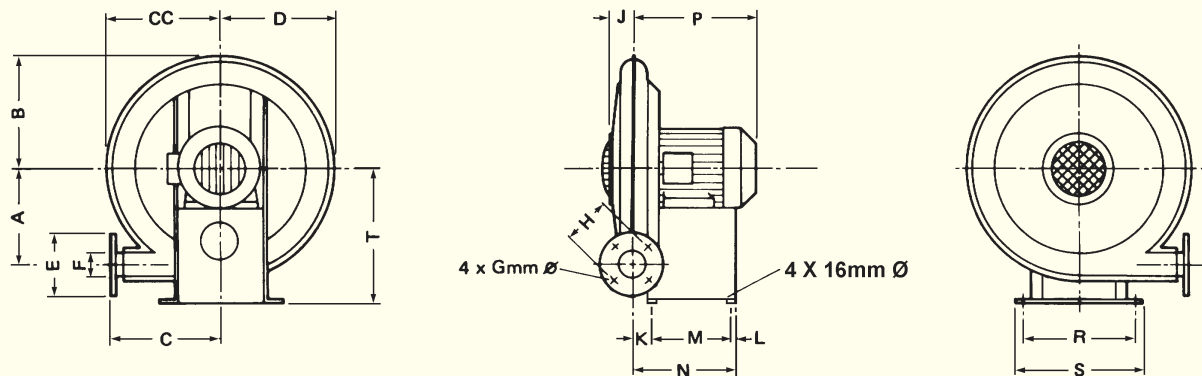
Accessories

Inlet flanges, filter and silencers.

Dimensions in mm

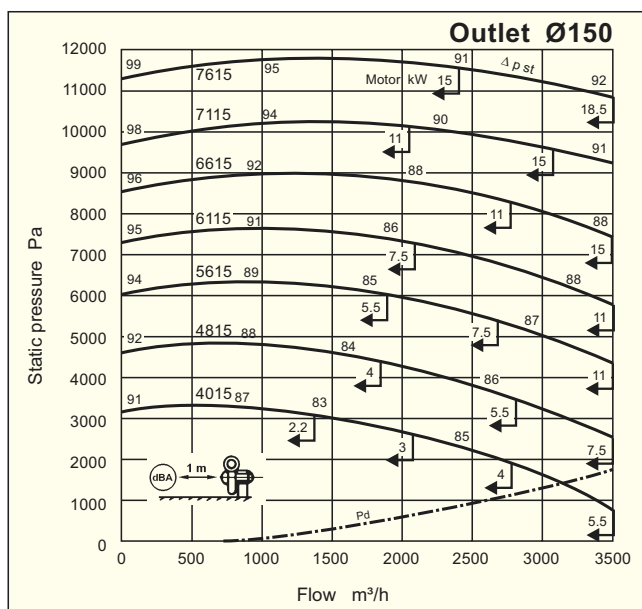
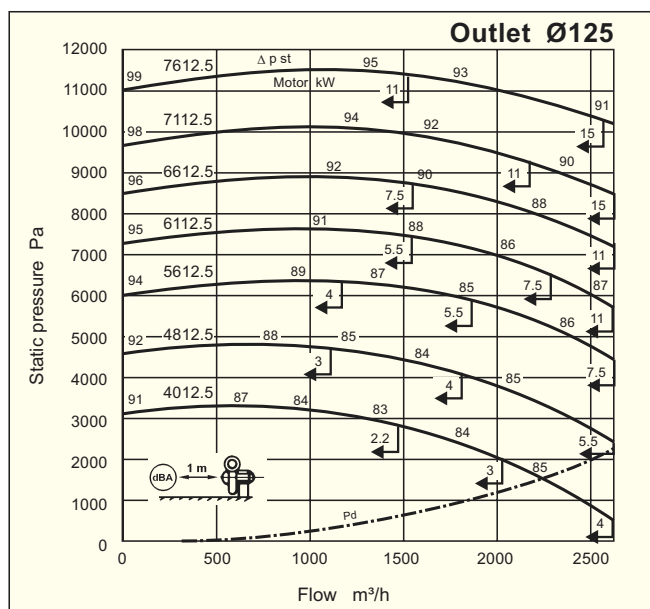
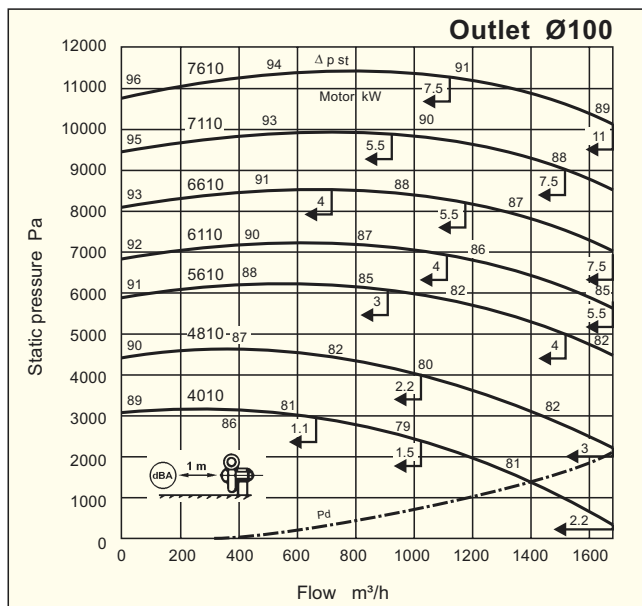
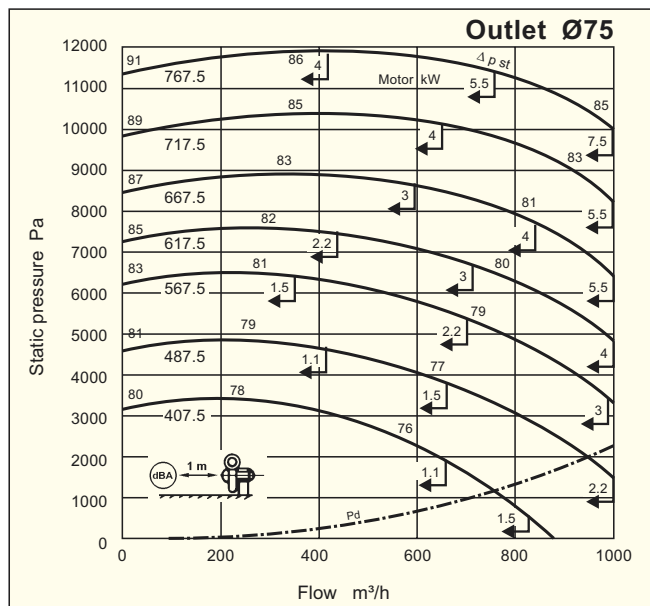
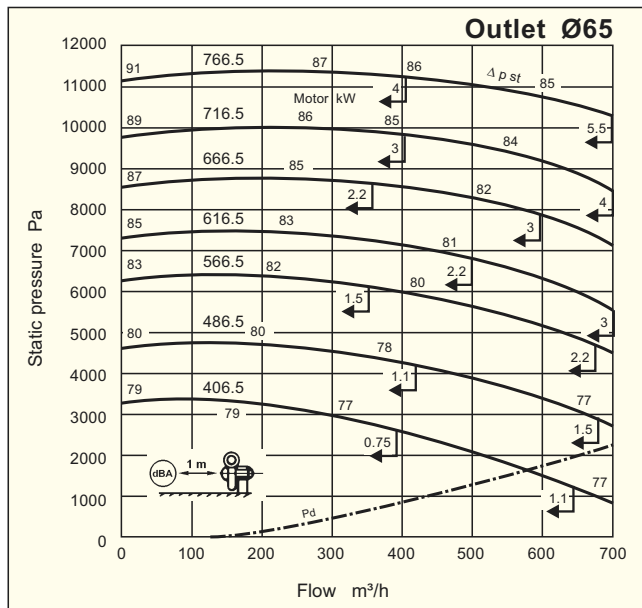
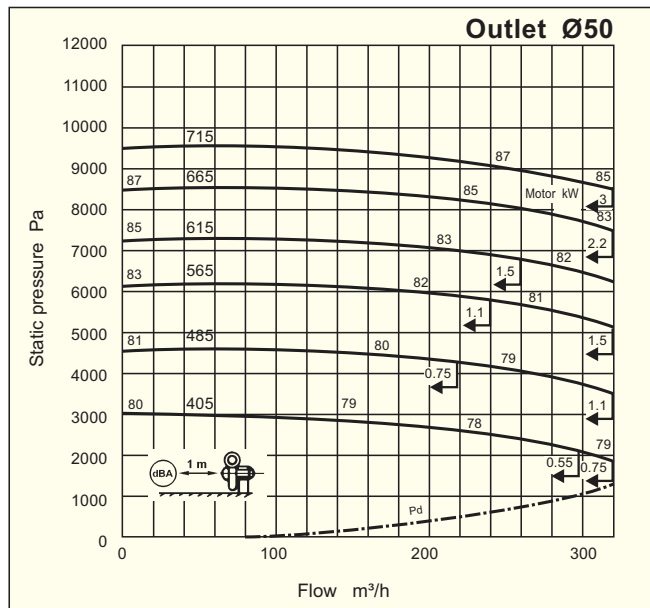
	R0	R45	R90	R135	R180	R225	R270	LO	L45	L90	L135	L180	L225	L270						
Outlet Ø50, Ø65, Ø75																				
Type	A	B	C	CC	D	E	F	G	H	J	K	L	Motor kW	M	N	P	R	S	T	Weight kg
40 5						140	50	11	108				0.55	153	235	267	267	305	362	31
40 6.5	260	277	260	265	290	140	65	11	108	50	57	25	0.75/1.1	153	235	272	267	305	372	35
40 7.5						160	75	11	127				1.5	204	286	287	318	356	382	38
48 5						140	50	11	108				0.75/1.1	153	235	272	267	305	385	41
48 6.5	298	318	288	304	330	140	65	11	108	50	57	25	1.5	204	286	287	318	356	395	44
48 7.5						160	75	11	127				2.2	204	286	315	318	356	395	46
56 5						140	50	11	108				1.1	153	235	272	267	305	428	46
													1.5	204	286	287	318	356	438	49
56 6.5	337	356	327	343	368	140	65	11	108	50	57	25	2.2	204	286	315	318	356	438	51
													3	204	286	344	318	356	448	59
													4	204	286	344	318	356	460	68
56 7.5						160	75	11	127				5.5/7.5	241	324	432	368	406	468	81
61 5						140	50	11	108				1.5	204	286	287	318	356	457	54
													2.2	204	286	315	318	356	457	56
61 6.5	362	381	352	368	394	140	65	11	108	50	57	25	3	204	286	344	318	356	467	64
													4	204	286	384	318	356	479	73
61 7.5						160	75	11	127				5.5/7.5	241	324	432	368	406	479	81
66 5						140	50	11	108				1.5	204	286	287	318	356	480	59
													2.2	204	286	315	318	356	480	61
66 6.5	387	406	377	393	419	140	65	11	108	50	57	25	3	204	286	344	318	356	490	70
													4	204	286	384	318	356	502	79
66 7.5						160	75	11	127				5.5/7.5	241	324	432	368	406	480	92
71 5						140	50	11	108				3	204	286	344	318	356	499	80
71 6.5	413	432	403	419	445	140	65	11	108	50	57	25	4	204	286	384	318	356	511	89
71 7.5						160	75	11	127				5.5/7.5	241	324	432	368	406	499	102
76 6.5						140	65	11	108				4	204	286	384	318	356	525	99
76 7.5	439	457	429	445	470	160	75	11	127	50	57	25	5.5/7.5	241	324	432	368	406	525	112

Outlet Ø100, Ø125, Ø150



Type	A	B	C	CC	D	E	F	G	H	J	K	L	Motor kW	M	N	P	R	S	T	Weight kg
40 10	275	295	260	274	315	197	100	11	152	50	75	25	1.1	153	253	290	267	305	400	38
													1.5	203	303	317	318	356	410	41
													2.2	203	303	330	318	356	410	43
48 10	314	334	297	313	355	197	100	11	152	50	75	25	1.5	203	303	317	318	356	438	48
													2.2	203	303	330	318	356	438	50
													3	203	303	360	318	356	448	58
													4	203	303	360	318	356	460	67
													5.5/7.5	241	341	430	368	406	438	80
56 10	352	372	335	351	393	197	100	11	152	50	75	25	3	203	303	360	318	356	467	65
													4	203	303	380	318	356	479	74
													5.5/7.5	241	341	430	368	406	480	87
61 10	378	397	360	376	418	197	100	11	152	50	75	25	3	203	303	360	318	356	490	73
													4	203	303	380	318	356	490	82
													5.5/7.5	241	341	430	368	406	499	95
66 10	403	422	386	401	443	197	100	11	152	50	75	25	4	203	303	380	318	356	525	92
													5.5/7.7	241	341	430	368	406	525	105
71 10	429	447	410	426	469	197	100	11	152	50	75	25	5.5/7.5	241	341	430	368	406	550	116
													11	343	443	563	432	470	550	158
76 10	454	472	436	451	494	197	100	11	152	50	75	25	7.5	241	341	430	368	406	570	127
													11	343	443	563	432	470	570	169
40 12.5 40 15	286	305	264	280	330	232	125	11	191	60	111	32	2.2	181	315	342	311	356	435	51
							150	11	216				3	181	315	372	311	356	435	60
							150	11	216				4	181	315	393	311	356	435	69
48 12.5 48 15	324	343	302	318	368	232	125	11	191	60	111	32	3	181	315	372	311	356	464	71
							150	11	216				4	181	315	393	311	356	464	80
							150	11	216				5.5/7.5	200	353	441	362	406	464	93
56 12.5 56 15	362	381	339	355	406	232	125	11	191	60	111	32	4	181	315	393	311	356	502	91
							150	11	216				5.5/7.5	200	353	441	362	406	502	104
							150	11	216				11/15	251	455	572	425	470	502	146
61 12.5 61 15	387	406	365	381	432	232	125	11	191	60	111	32	5.5/7.5	200	353	441	362	406	527	111
							150	11	216				11/15	251	455	572	425	470	527	153
66 12.5 66 15	413	432	390	406	457	232	125	11	191	60	111	32	5.5/7.5	200	353	441	362	406	552	122
							150	11	216				11/15	251	455	572	425	470	552	164
71 12.5 71 15	438	457	416	432	482	232	125	11	191	60	111	32	7.5	200	353	441	362	406	578	133
							150	11	216				11/15	251	455	572	425	470	578	175
							150	11	216				18.5	271	495	614	425	470	578	194
76 12.5 76 15	464	464	441	457	508	232	125	11	191	60	111	32	11/15	251	455	572	425	470	603	187
							150	11	216				18.5	271	495	614	425	470	603	206
							150	11	216				22	271	495	630	489	534	603	233

Performance curves





Construction

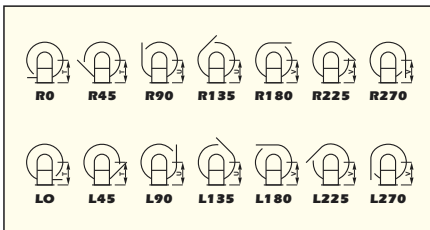
Radial bladed impeller of steel sheet riveted and welded construction, dynamically balanced. Casing of heavy sheet steel welded construction, stiffened with angle section and having an integrated motor pedestal. Design for corrosive gases, higher running temperatures, belt drive, etc. can be supplied on request.

Motor

230/400V, 50Hz (400/690V, 50Hz) three-phase asynchronous motor, suitable for speed control with frequency control. Insulation class F, enclosure IP55. Special voltage or frequency, improved enclosure IP65, 2-speed motors and explosion proof motors can be supplied on request. Wiring diagram, see page 235.

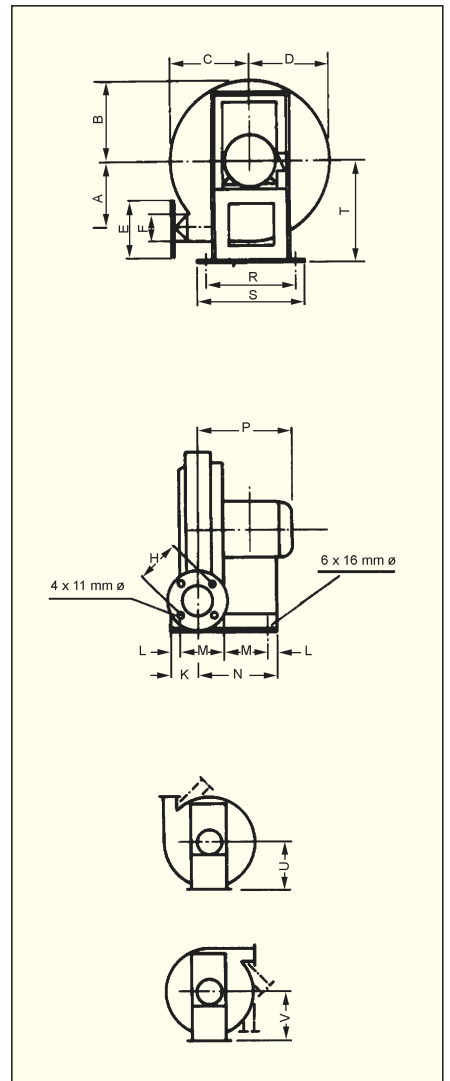
Accessories

Inlet flanges, inlet filter, silencer and inlet guards.

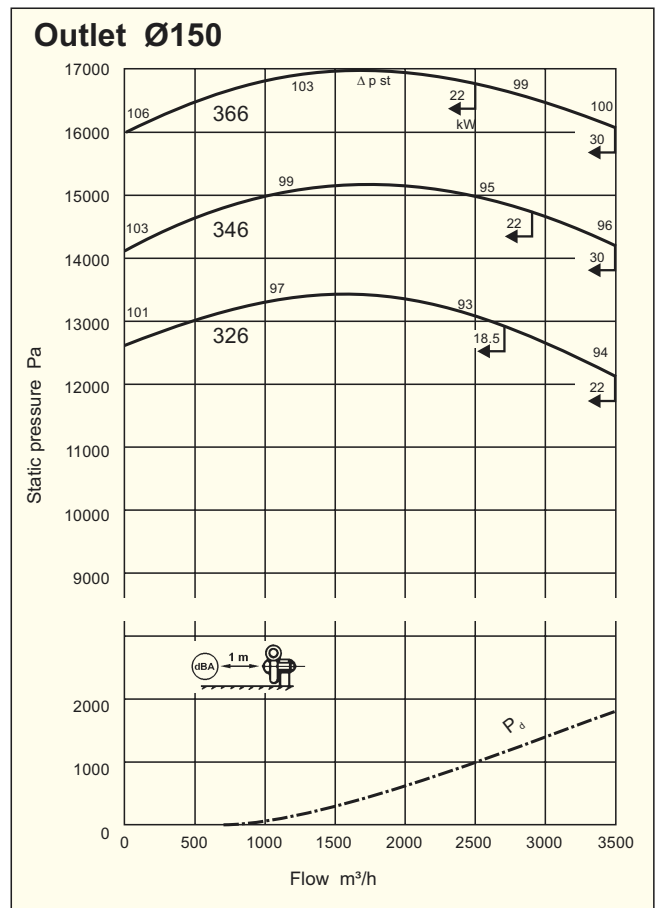
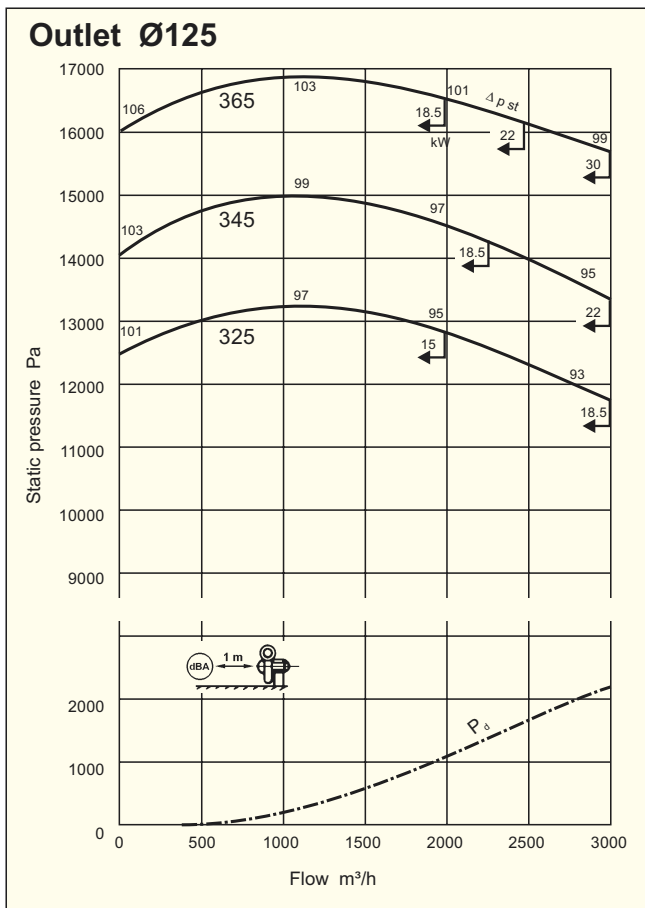
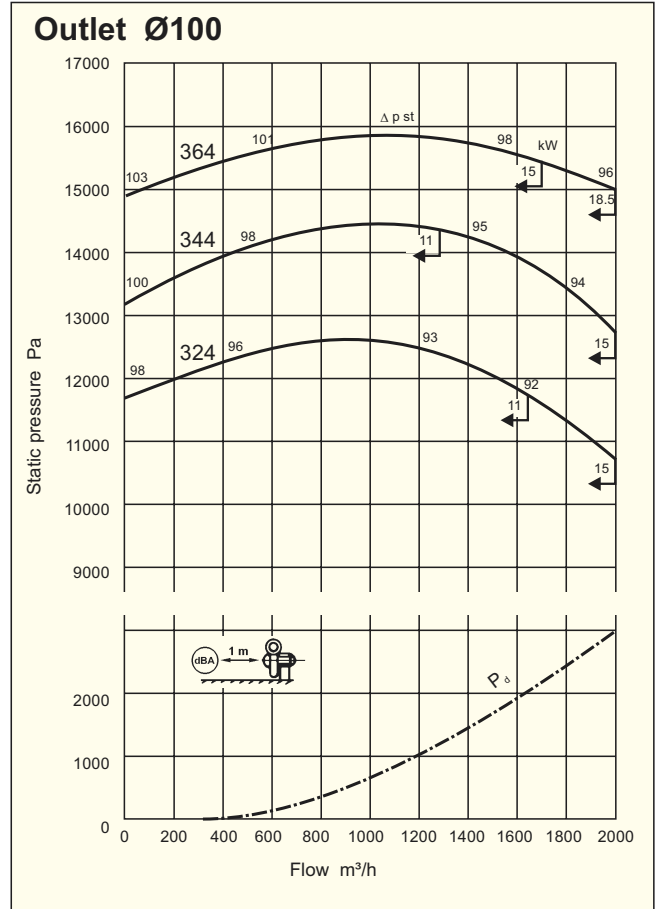
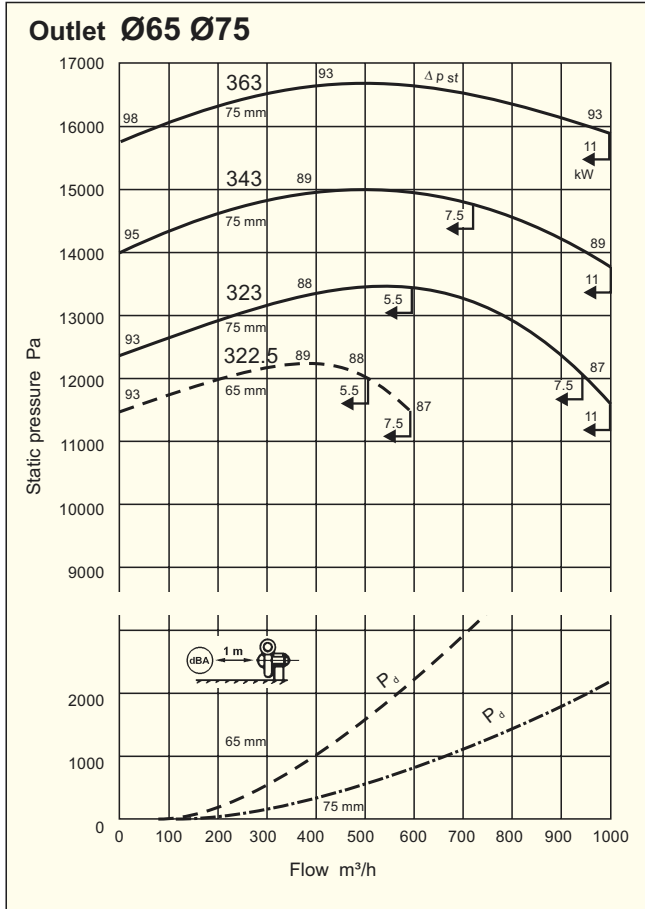


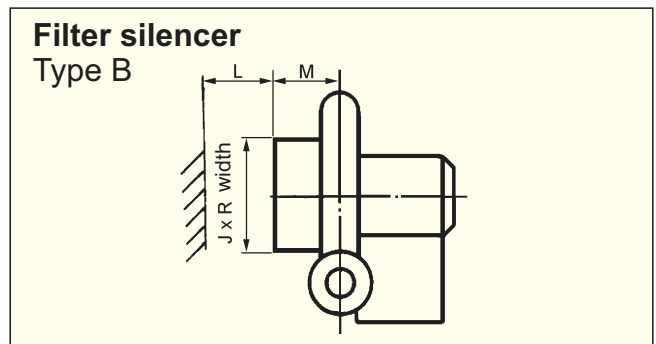
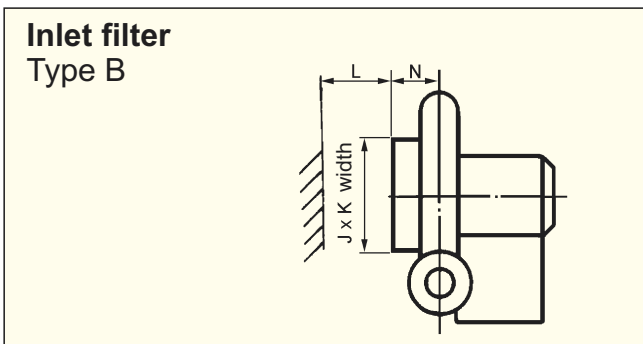
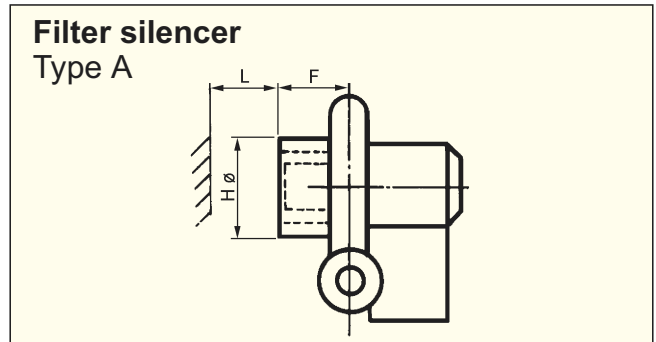
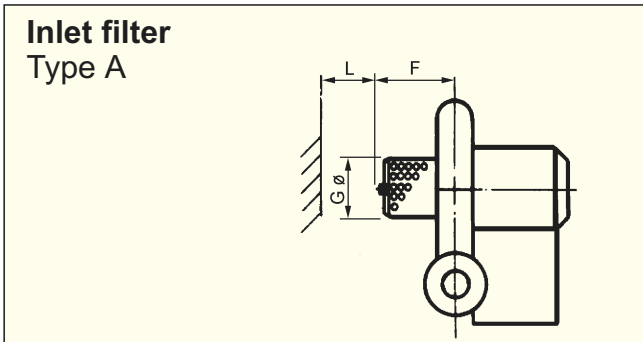
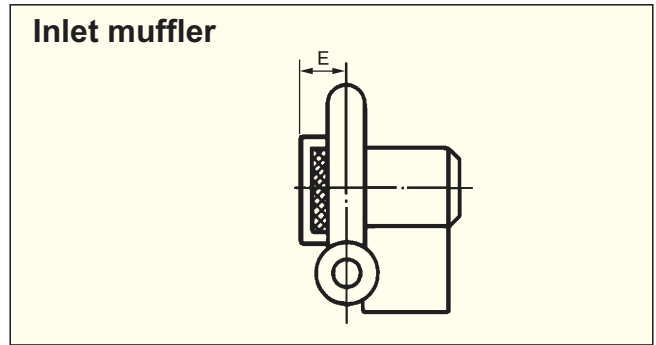
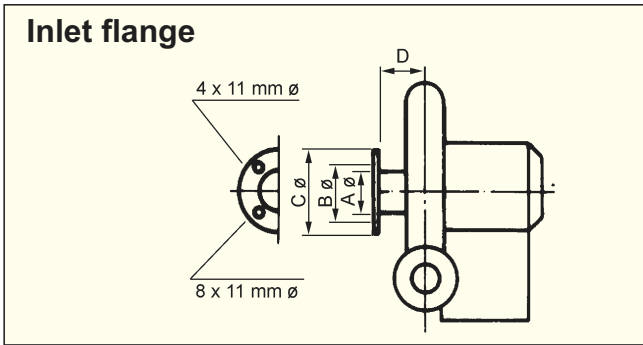
Dimensions in mm Outlet Ø65, Ø75, Ø100, Ø125, Ø150

Type	A	B	C	D	E	F	H	K	L	Motor kW	M	N	P	R	S	T	U	V	Weight kg
322,5	464	467	454	479	140	65	108	86	32	5.5	174	326	414	362	406	565	514	489	123
										7.5	174	326	414	362	406	565	514	489	123
323	464	467	454	479	160	75	127	86	32	5.5	174	326	414	362	406	565	514	489	123
										7.5	174	326	414	362	406	565	514	489	123
										11	226	430	530	425	470	565	514	489	123
343	489	492	479	505	160	75	127	86	32	7.5	174	326	414	362	406	590	539	514	134
										11	226	430	530	425	470	590	539	514	176
363	515	518	505	530	160	75	127	86	32	11	226	430	530	425	470	616	565	540	189
324	479	483	462	505	197	100	152	100	32	11	240	444	545	425	470	600	540	515	181
										15	240	444	545	425	470	600	540	515	181
344	504	508	487	530	197	100	152	100	32	11	240	444	545	425	470	626	566	540	193
										15	240	444	545	425	470	626	566	540	193
364	530	534	513	556	197	100	152	100	32	15	240	444	545	425	470	650	590	565	206
										18.5	258	480	545	425	470	650	590	565	225
325	489	492	467	518	232	125	191	111	32	15	251	465	555	425	470	629	540	515	200
										18.5	269	491	555	425	470	629	540	515	219
345	514	518	492	543	232	125	191	111	32	18.5	269	491	555	425	470	655	565	540	232
										22	269	491	622	489	534	655	565	540	259
										18.5	269	491	555	425	470	680	590	565	246
365	540	543	519	568	232	125	191	111	32	22	269	491	622	489	534	680	590	565	273
										30	306	565	700	489	534	680	590	565	335
										18.5	269	491	555	425	470	629	540	515	219
326	489	492	467	518	255	150	216	111	32	22	269	491	622	489	534	629	540	515	246
										18.5	269	491	555	425	470	655	565	540	232
346	514	518	492	543	255	150	216	111	32	22	269	491	622	489	534	655	565	540	259
										30	306	565	700	489	534	655	565	540	321
										18.5	269	491	555	425	470	680	590	565	273
366	540	543	519	568	255	150	216	111	32	22	269	491	622	489	534	680	590	565	273
										30	306	565	700	489	534	680	590	565	335



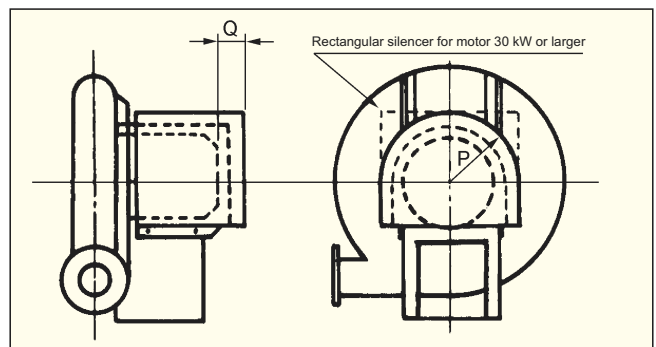
Performance curves



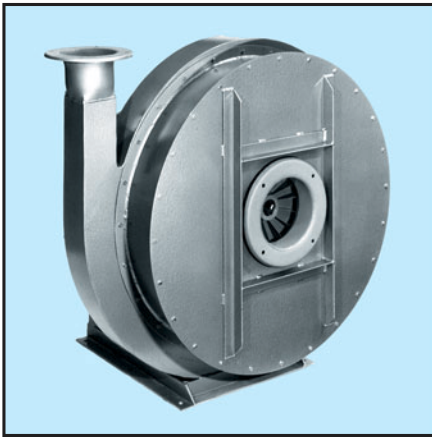


Motor muffler

Motor kW	Q	P
1.5 + 2.2 + 3	80	180
4	100	180
5.5 + 7.5	100	230
11 + 15 + 18.5	100	260
22	100	280
30 + 37	100	320
45	100	345
55	100	380



Dimensions in mm			A	B	C	D	E	F	G	H	J	K	L	M	N	R	
QP Type	405-665	406,5-766,5	407,5-767,5	118	165	203	86	108	265	185	346	-	-	150	-	-	
	4010-7610			154	216	254	103	162	-	-	-	448	448	150	272	175	604
	4012,5-7612,5	4015-7615		200	273	318	114	175	-	-	-	510	510	150	340	213	720
Q Type		322,5	323-363	118	165	203	86	220	265	346	346	-	-	150	-	-	
	324-364			154	216	254	103	254	-	-	-	448	448	150	272	175	604
	325-365	326-366		200	273	318	114	280	-	-	-	510	510	150	340	213	720
	198-228			305	362	406	133	294	-	-	-	510	510	200	360	225	720
	248-368			305	362	406	133	294	-	-	-	510	510	200	350	225	1056



Construction

Single inlet centrifugal fan. Two radial bladed impellers riveted of steel sheet with a turned mild steel hub, fitted to the motor shaft. Twin casing in steel plate of welded construction adequately stiffened to prevent drumming and vibration. Access to the impeller is given by removing the bolted cover of the casing inlet side. Designed for transportation of normal air with max. temperature of +80°C. Designs for corrosive gases, higher running temperatures, etc. can be supplied on request.

Motor

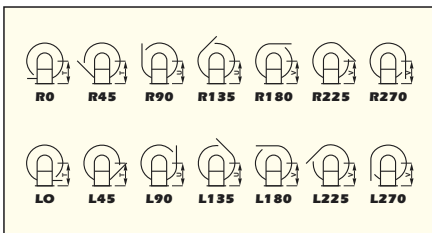
230/400V, 50Hz (400/690V, 50Hz) three-phase asynchronous motor, suitable for speed control with frequency control. Insulation class F, enclosure IP55. Special voltage or frequency, improved enclosure IP65, 2-speed motors and explosion proof motors can be supplied on request.

Wiring diagram, see page 235.

Working area: pressure up to 35000 Pa
flow up to 3400 m³/h.

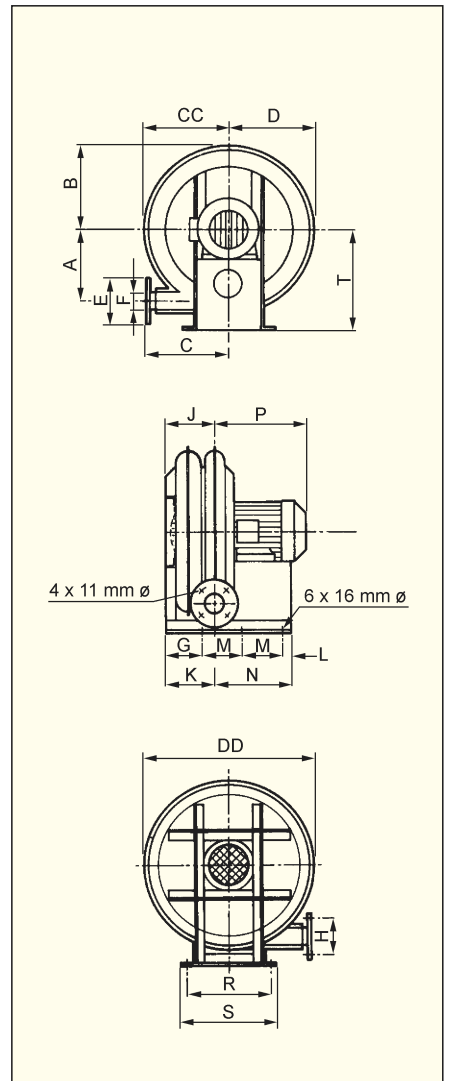
Accessories

Inlet flanges, inlet filter, silencer.

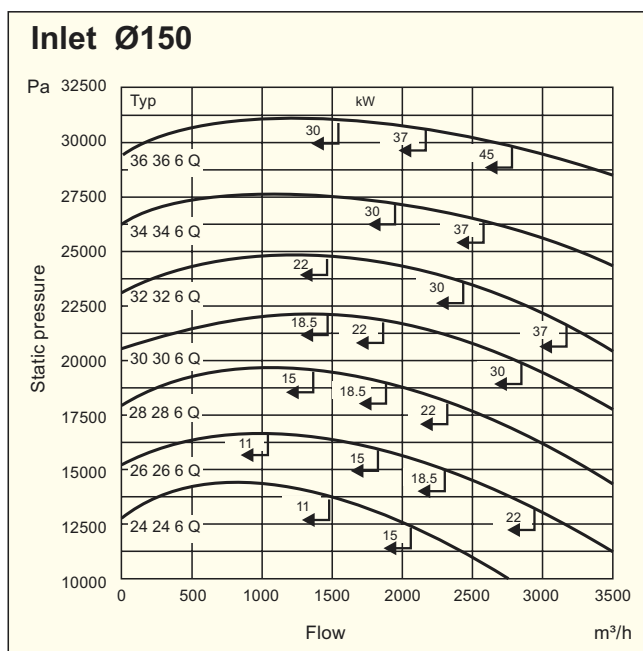
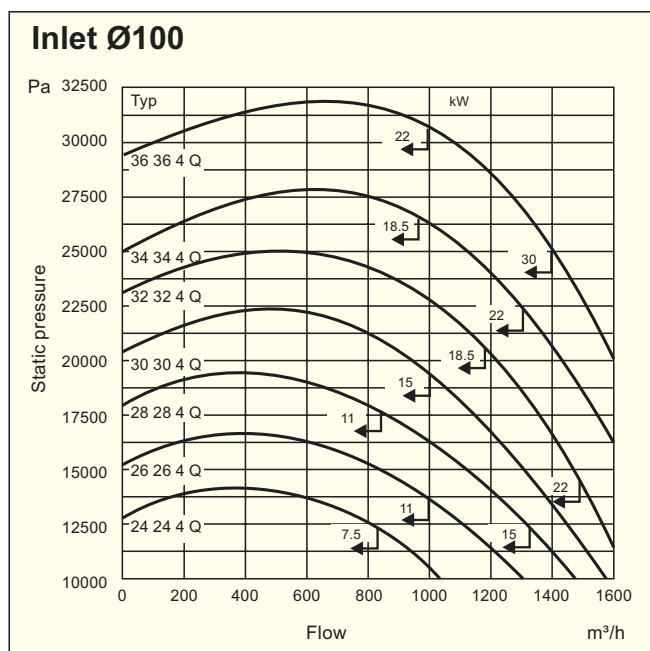


Dimensions in mm

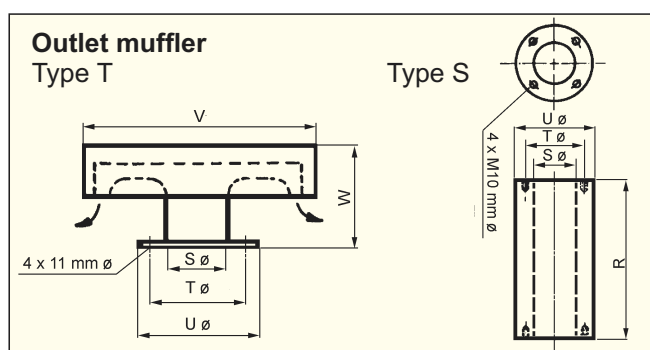
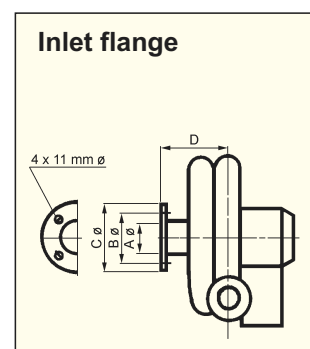
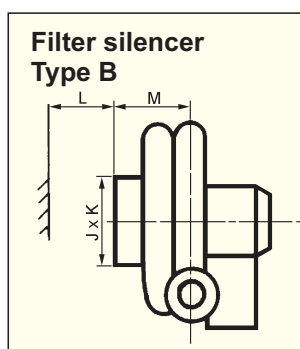
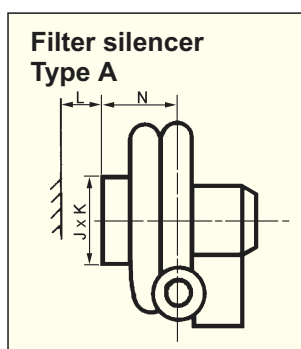
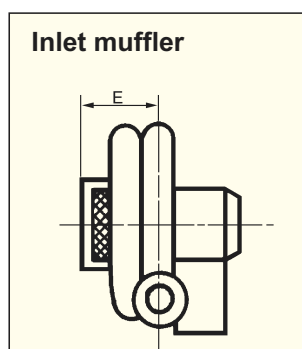
Type	A	B	C	CC	D	DD	E	F	G	H	J	K	L	Motor kW	M	N	P	R	S	T	Weight kg
24 24 4Q	378	397	360	376	418	880	197	100	32	152	235	100	32	7.5	200	341	430	362	406	489	132
														11.0	251	443	563	426	470	489	174
26 26 4Q	403	422	386	401	443	880	197	100	32	152	235	100	32	7.5	200	341	430	362	406	527	149
														11&15	251	443	563	426	470	527	191
28 28 4Q	429	447	410	426	469	880	197	100	32	152	235	100	32	11&15	251	443	563	426	470	552	207
														18.5	271	483	608	426	470	552	226
30 30 4Q	454	472	436	451	494	880	197	100	32	152	235	100	32	15.0	251	443	563	426	470	578	227
														18.5	271	483	608	426	470	578	246
24 24 6Q	387	406	365	381	432	880	255	150	32	216	282	111	32	11&15	251	455	572	425	470	527	207
														18.5	271	495	614	425	470	527	226
26 26 6Q	413	432	390	406	457	880	255	150	32	216	282	111	32	15.0	251	455	572	425	470	552	217
														18.5	271	495	614	425	470	552	236
28 28 6Q	438	457	416	432	482	880	255	150	32	216	282	111	32	22.0	271	495	630	489	534	552	263
														18.5	271	495	614	425	470	578	256
30 30 6Q	464	483	441	457	508	880	255	150	32	216	282	111	32	22.0	271	495	630	489	534	603	281
														30&37	307	567	710	489	534	603	370
32 32 4Q	480	482	461	461	504	930	197	100	32	152	235	100	32	15.0	240	444	563	426	470	603	253
														18.5	261	486	608	426	470	603	272
34 34 4Q	505	508	487	487	529	980	197	100	32	152	235	100	32	22.0	261	486	630	489	534	603	299
														15.0	240	444	563	426	470	629	287
36 36 4Q	530	531	513	513	554	1031	197	100	32	152	235	100	32	18.5	261	486	608	426	470	629	306
														22.0	261	486	630	489	534	629	333
32 32 6Q	489	492	466	466	517	930	255	150	32	216	282	111	32	30&37	307	567	710	489	534	629	343
														22.0	271	495	630	489	534	653	383
34 34 6Q	514	517	491	491	542	980	255	150	32	216	282	111	32	30&37	307	567	710	489	534	653	445
														45.0	323	599	760	540	585	653	553
36 36 6Q	540	543	517	517	568	1031	255	150	32	216	282	111	32	30&37	307	567	710	489	534	679	501
														45.0	323	599	760	540	585	679	609
36 36 6Q	540	543	517	517	568	1031	255	150	32	216	282	111	32	55.0	353	659	800	590	635	679	770



Performance curves



Accessories



Motor muffler

Motor kW	P	Q
5.5 7.5	230	75
11 – 18.5	260	100
22	280	100
30 37	300	100
45	325	100

Dimensions in mm

Type	A	B	C	D	E	J	K	L	M	N	R	S	T	U	V	W
61 61 10 – 36 36 4	216	273	318	340	351	510	510	150	455	360	500	100	152	200	610	195
61 61 15 – 36 36 6	216	273	318	340	406	510	510	150	565	440	750	150	216	260	610	295



Construction

Single inlet direct driven two stage centrifugal fan with casing in steel sheet, welded and powder coated. Impellers are made of aluminium sheet, dynamically balanced according to ISO 1940.

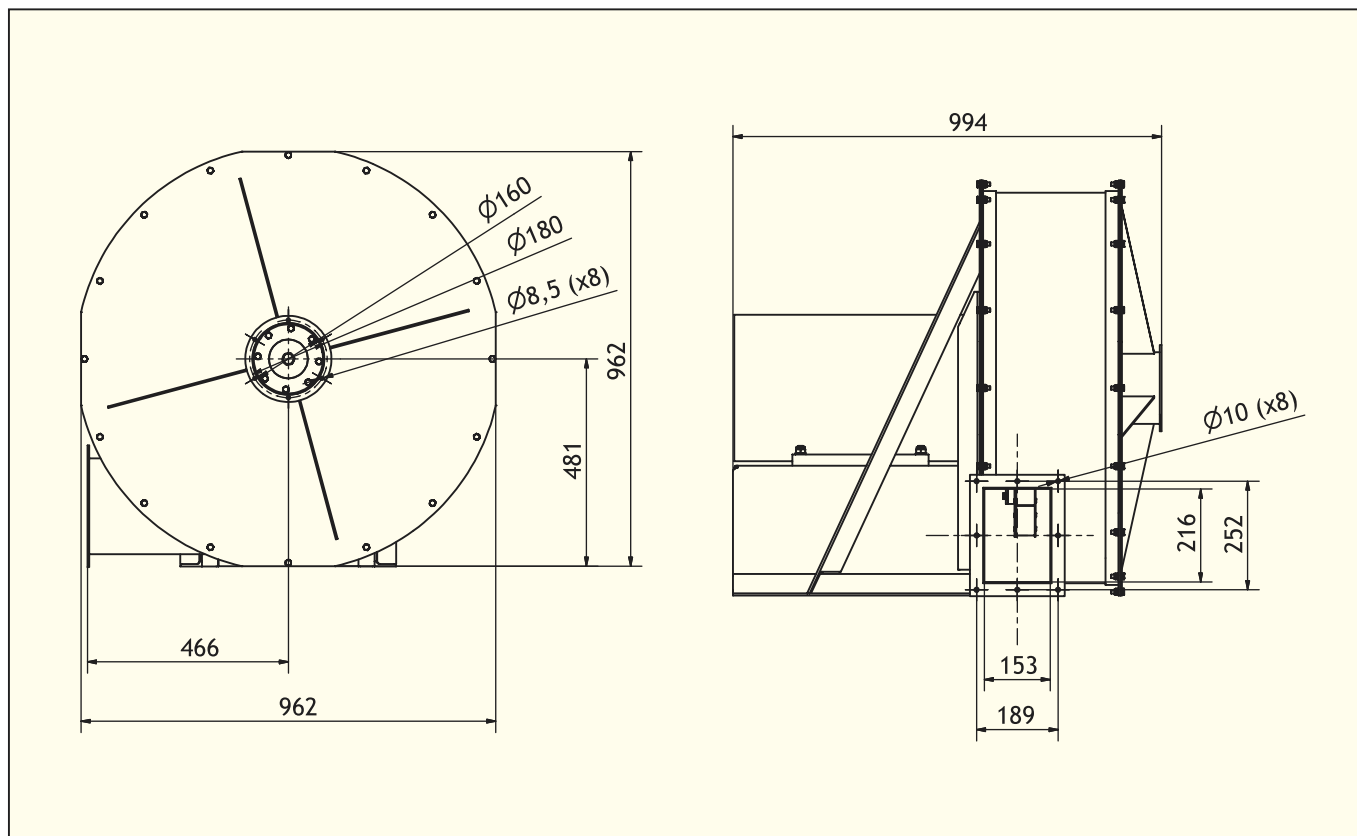
Motor

400/690V, 50Hz three-phase asynchronous motor with squirrel cage rotor. Enclosure IP55, insulation class F. Special voltage or frequency, improved enclosure IP65, explosion proof motor can be supplied on request.

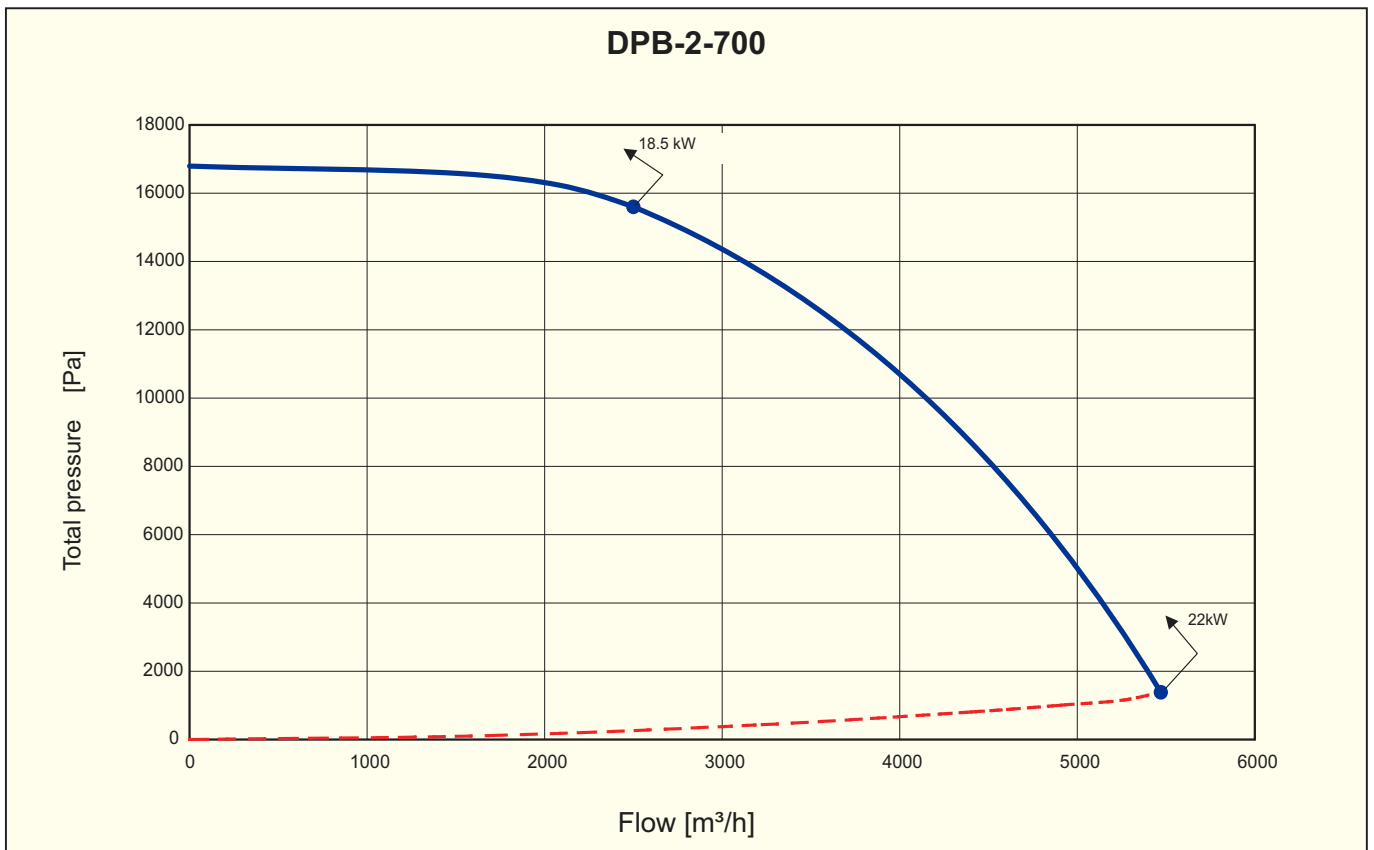
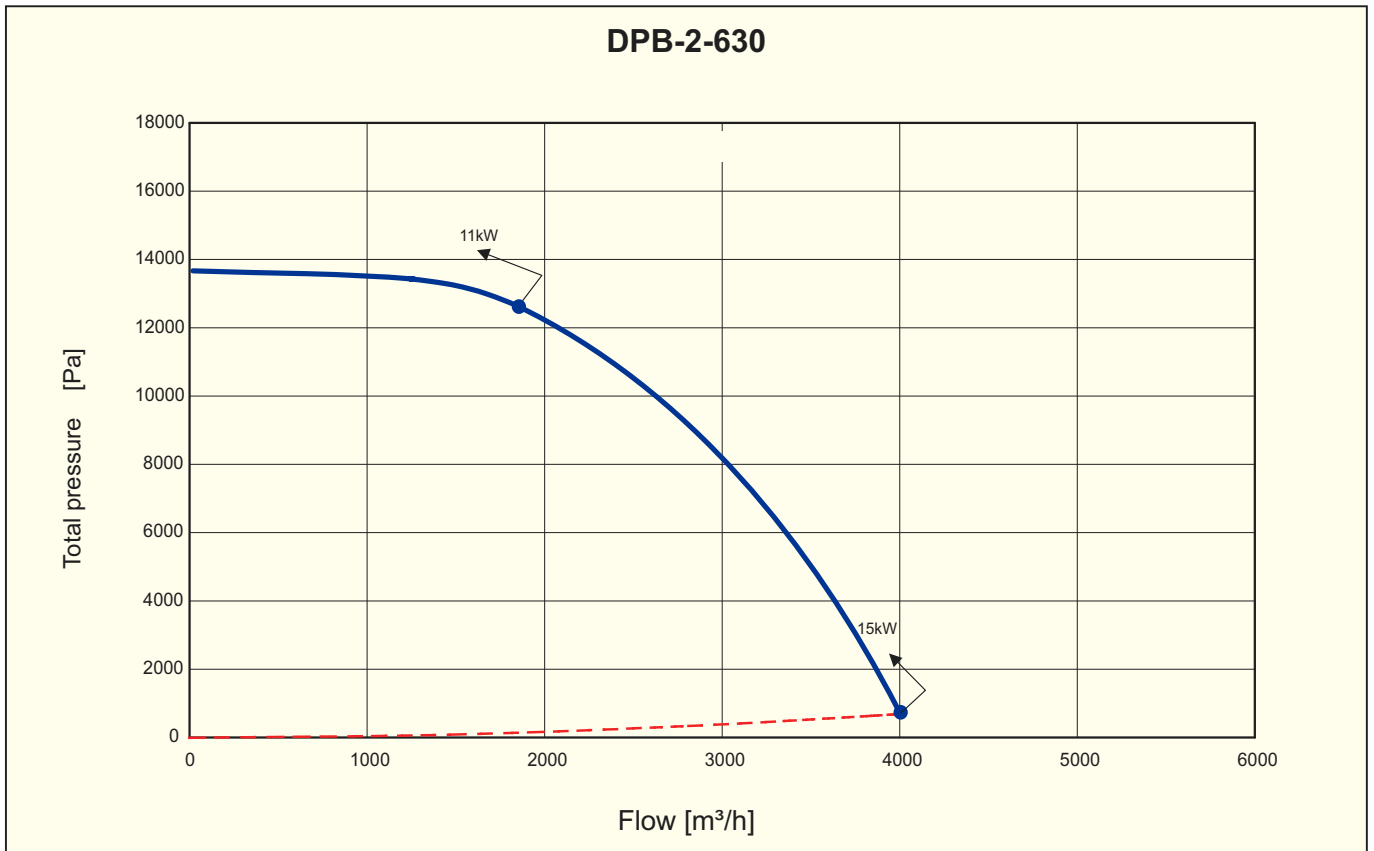
Wiring diagram, see page 235.

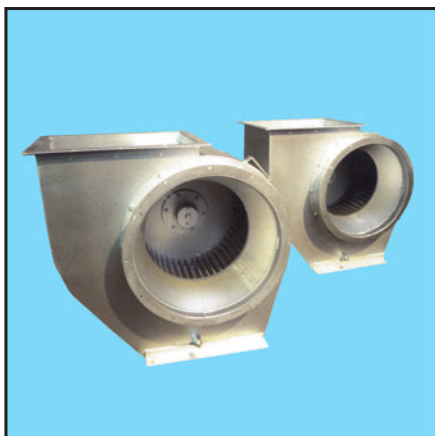
Data

Type	Speed rpm	Motor power kW	Voltage V	Maximum current A	Maximum duty m ³ /h	Maximum pressure Pa	Weight kg	Article number
DPB-2-630-1100	2930	11	400	19.9	1800	13 600	345	213800630
DPB-2-630-1500	2920	15	400	26.2	4000	13 600	360	213800640
DPB-2-700-1850	2930	18.5	400	32,1	2050	16 750	375	213800700
DPB-2-700-2200	2920	22	400	40.4	5450	16 750	410	213800710



Performance curves





FCM

Construction FCM

Single inlet direct driven centrifugal fan with casing in welded steel sheet. Impeller, type F, with forward curved blades in steel sheet, suitable for clean air. Very silent. Casing and impeller in other materials for example stainless steel or galvanized steel sheet may be supplied on request.

Working range:

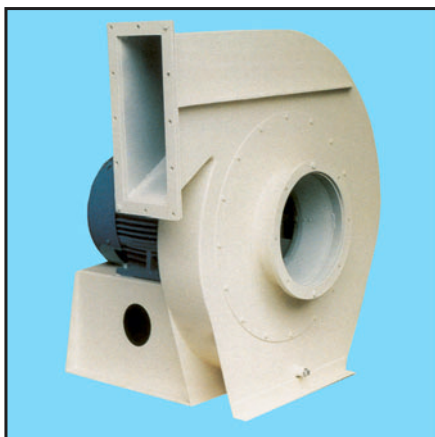
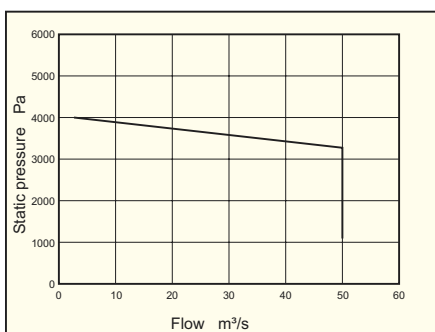
Flow 0 - 60 m³/s
Pressure 0 - 1 kPa

Motor

380/420V, 50Hz three-phase asynchronous motor IEC34-1. Enclosure IP55, class F insulation. Special voltage or frequency, or enclosure may be supplied on request. Wiring diagram, see page 235.

Accessories

Inlet and outlet fittings, silencer, sleeve.



RL

Construction RL

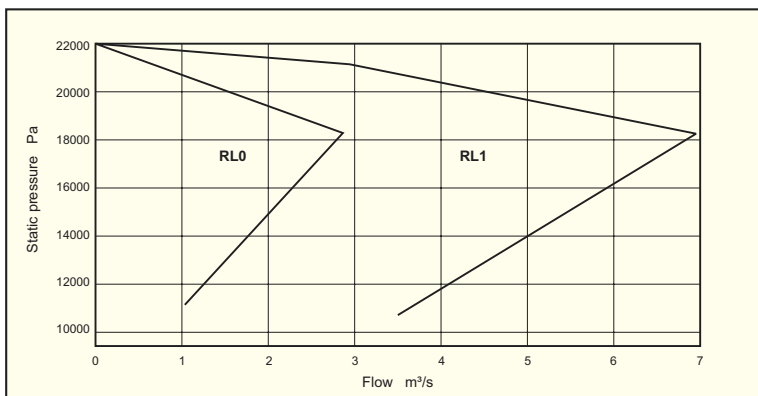
Single inlet direct driven centrifugal fan with casing in welded steel sheet. Impeller with straight radial blades in steel sheet, suitable for clean air at high pressure. Casing and impeller in other materials for example stainless steel or galvanized steel sheet may be supplied on request.

Motor

380/420V, 50Hz three-phase asynchronous motor IEC34-1. Enclosure IP55, class F insulation. Special voltage or frequency, or enclosure may be supplied on request. Wiring diagram, see page 235.

Accessories

Inlet and outlet fittings, silencer, sleeve.



Type	Flow m ³ /s	Pressure kPa
RL0	0,5-6	20
RL1	0,1-18	20



PB

Construction

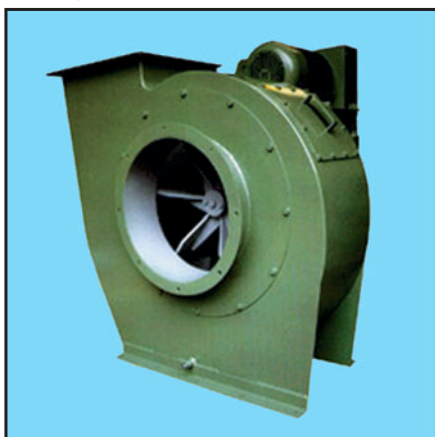
Single inlet, direct or belt driven centrifugal fan with casing in welded steel sheet. Impeller with straight self-cleaning radial blades in steel sheet, suitable for air with solid particles. Casing and impeller in other materials for example stainless steel or galvanized steel sheet may be supplied on request.

Motor

380/420V, 50Hz three-phase asynchronous motor IEC34-1. Enclosure IP55, class F insulation. Special voltage or frequency, or enclosure may be supplied on request. Wiring diagram, see page 235.

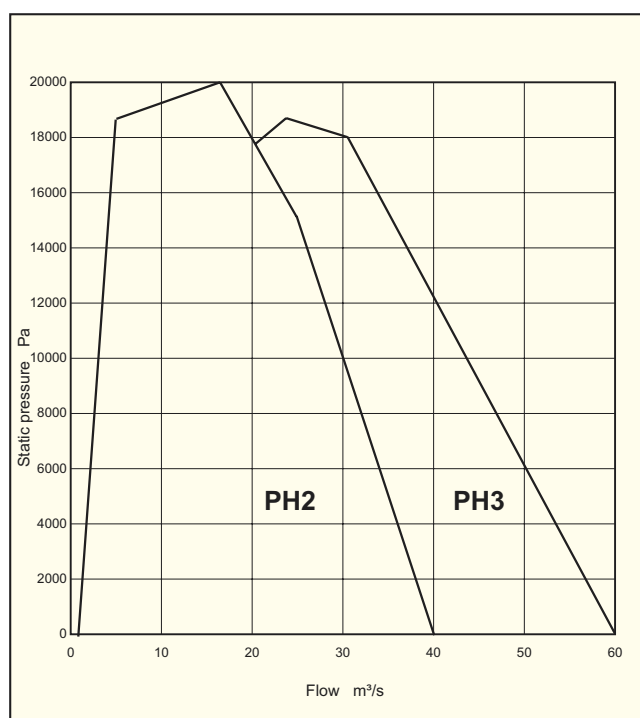
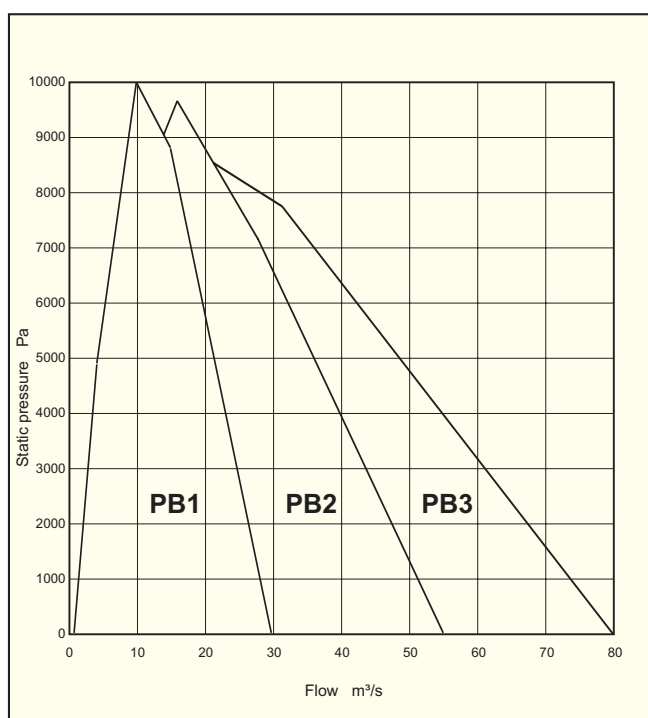
Accessories

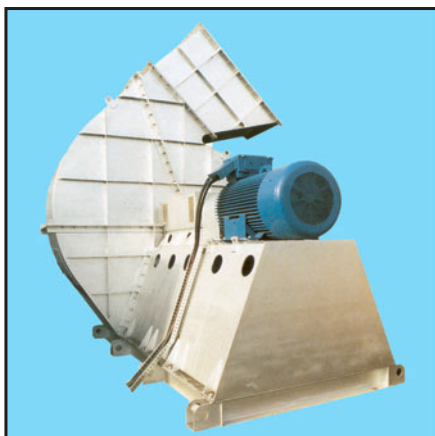
Inlet and outlet fittings, silencer, sleeve.



PH

Type	Flow m ³ /s	Pressure kPa
PB1	0,1-12	4
PB2	0,2-24	3
PB3	0,3-25	2
PH1	0,2-25	20
PH2	0,4-40	20





Construction

Single inlet, high-pressure direct-driven (type BL), or belt-driven (type BNF) centrifugal fan with casing in welded steel sheet. Impeller with backward curved blades in steel sheet, suitable for clean or lightly polluted air. Suitable in applications with high efficiency. Casing and impeller in other materials for example stainless steel or galvanized steel sheet may be supplied on request.

Motor

380/420V, 50Hz three-phase asynchronous motor IEC34-1. Enclosure IP55, class F insulation. Special voltage or frequency, or enclosure may be supplied on request.

Wiring diagram, see page 235.

BL

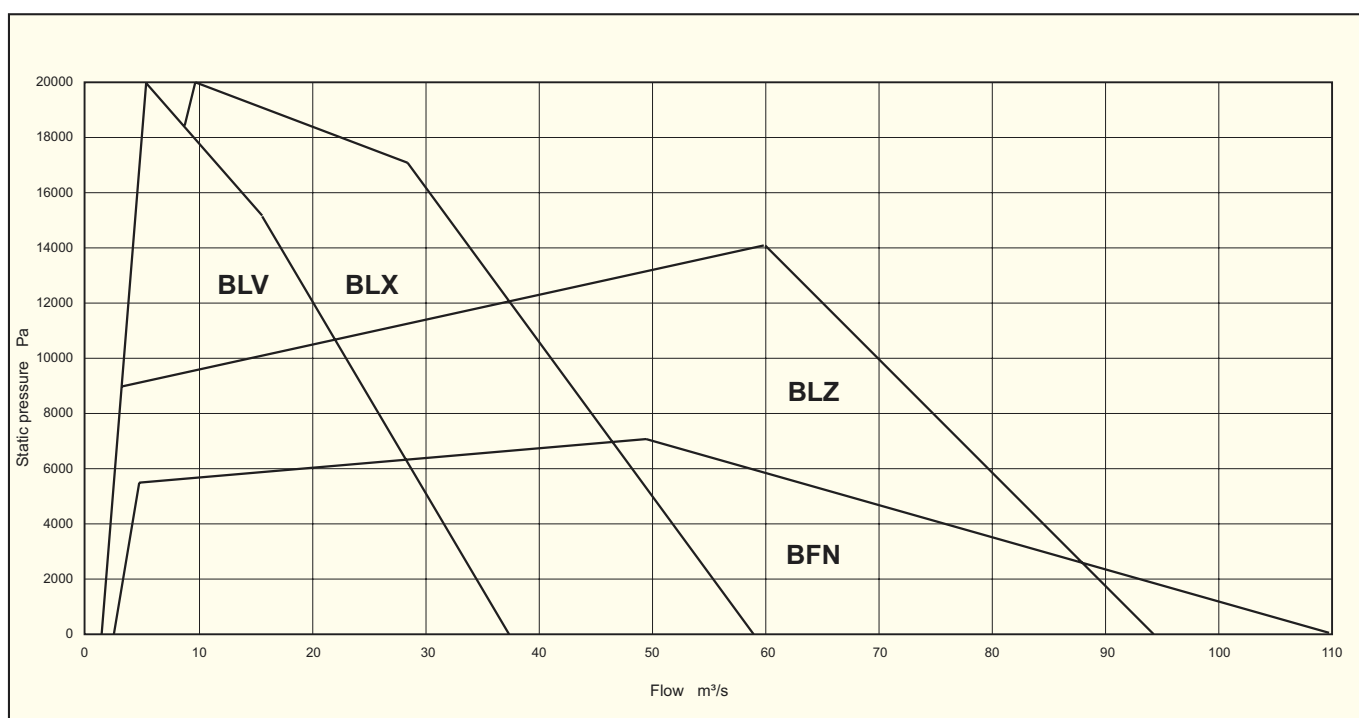
Accessories

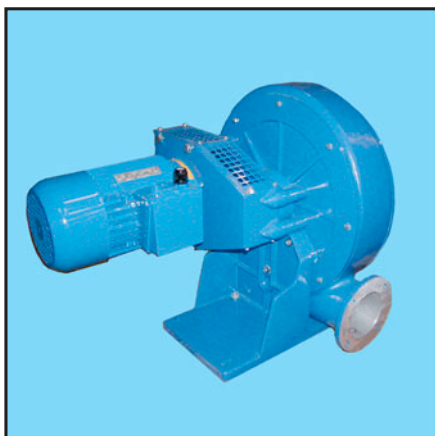
Inlet and outlet fittings, silencer, sleeve.



BNF

Type	Flow m ³ /s	Pressure kPa
BLT	0,3-10	20
BLV	1-100	20
BLX	2-150	20
BLZ	3-200	20
BLN	1-300	6
BLW	1-400	3
BFN	1-300	6





Construction

Single inlet, belt driven centrifugal fan with casing in cast aluminium and impeller with backward curved blades in aluminium sheet. The suspension of the belt-drive and the unique design of the casing give optimal compactness. Casing and impeller in other materials for example stainless steel or galvanized steel sheet may be supplied on request.

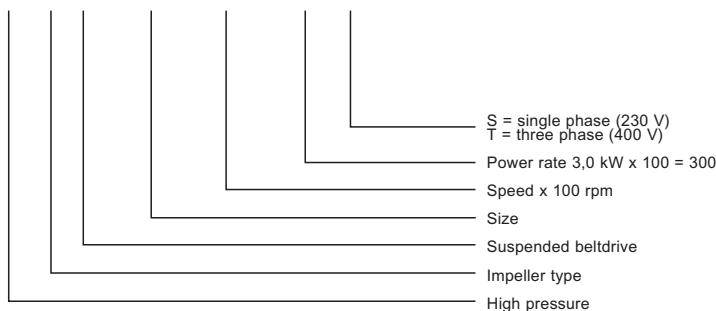
Motor

220-240/380-420V, 50Hz (380-420/660-720V above 3kW) three-phase or 220-240V, 50Hz single-phase asynchronous motor with capacitor. Insulation class F, enclosure IP55. Special voltage or frequency, improved enclosure IP65, 2-speed motors and explosion proof motors can be supplied on request.

Wiring diagram, see page 235.

Model numbering system

HP B x - 200 - 51 - 300 T

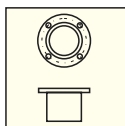


Data

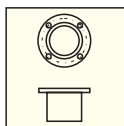
Type	Speed rpm	Motor power kW	Voltage V	Maximum current A	Maximum duty m³/h	Maximum pressure Pa	Sound level* dB(A)	Weight kg	Article number
HPBx-25-40-075S	4000	0,75	230	5,1	600	2150	81	20	113 655 050
HPBx-25-40-075T	4000	0,75	230/400	3,3/1,9	600	2150	81	20	113 655 055
HPBx-25-44-075S	4400	0,75	230	5,1	660	2600	82	20	113 655 060
HPBx-25-44-075T	4400	0,75	230/400	3,3/1,9	660	2600	82	20	113 655 065
HPBx-25-50-110S	5000	1,1	230	7,9	750	3300	83	22	113 655 070
HPBx-25-50-110T	5000	1,1	230/400	4,3/2,5	750	3300	83	22	113 655 075
HPBx-30-40-075S	4000	0,75	230	5,1	970	2400	82	21	113 655 100
HPBx-30-40-075T	4000	0,75	230/400	3,3/1,9	970	2400	82	20	113 655 105
HPBx-30-44-110S	4400	1,10	230	7,90	1070	2950	83	23	113 655 110
HPBx-30-44-110T	4400	1,10	230/400	4,3/2,5	1070	2950	83	22	113 655 115
HPBx-30-50-150S	5000	1,50	230	9,0	1230	3850	85	26	113 655 120
HPBx-30-50-150T	5000	1,50	230/400	5,9/3,4	1230	3850	85	25	113 655 125
HPBx-30-56-220T	5600	2,20	230/400	8,0/4,6	1400	4780	88	30	113 655 140
HPBx-200-38-150S	3800	1,50	230	9,0	1250	4450	84	33	113 655 200
HPBx-200-38-150T	3800	1,50	230/400	5,9/3,4	1250	4450	84	32	113 655 205
HPBx-200-43-220T	4300	2,20	230/400	8,0/4,6	1400	5560	87	37	113 655 210
HPBx-200-45-300T	4500	3,00	230/400	11,5/6,6	1490	6150	89	39	113 655 215
HPBx-200-48-300T	4800	3,00	230/400	11,5/6,6	1400	7000	91	40	113 655 220
HPBx-200-51-300T	5100	3,00	230/400	11,5/6,6	1100	7720	93	41	113 655 225
HPBx-260-38-220T	3800	2,20	230/400	8,0/4,6	1400	4100	86	39	113 655 250
HPBx-260-43-300T	4300	3,00	230/400	11,5/6,6	1580	5150	88	41	113 655 255
HPBx-260-45-300T	4500	3,00	230/400	11,5/6,6	1500	5720	90	41	113 655 260
HPBx-260-48-300T	4800	3,30	230/400	11,5/6,6	1300	6440	92	41	113 655 265
HPBx-300-31-220T	3100	2,20	230/400	8,0/4,6	2360	3750	90	44	113 655 320
HPBx-300-35-300T	3500	3,00	230/400	11,5/6,6	2650	4740	92	46	113 655 330

* - in the middle of the performance curve, 1m from the fan.

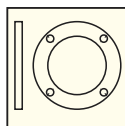
Accessories



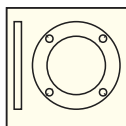
Connector suction side page 189



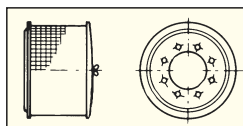
Connector pressure side page 189



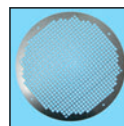
Welding flange suction side page 190



Welding flange pressure side page 190

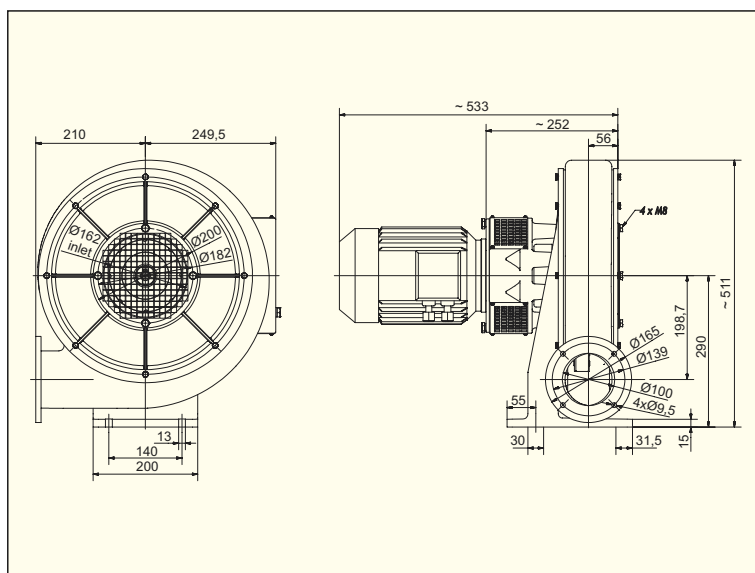
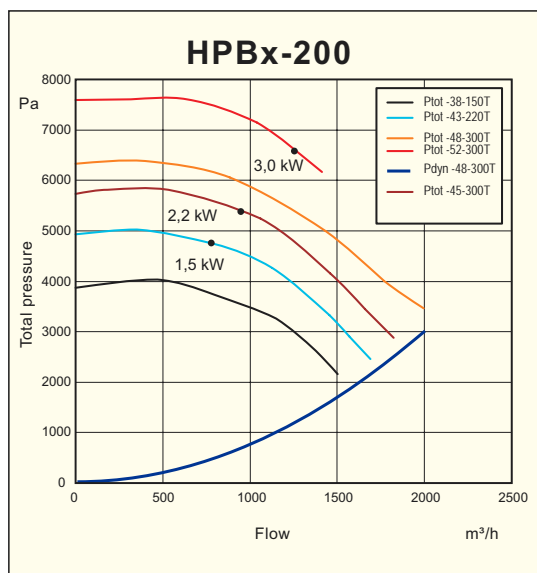
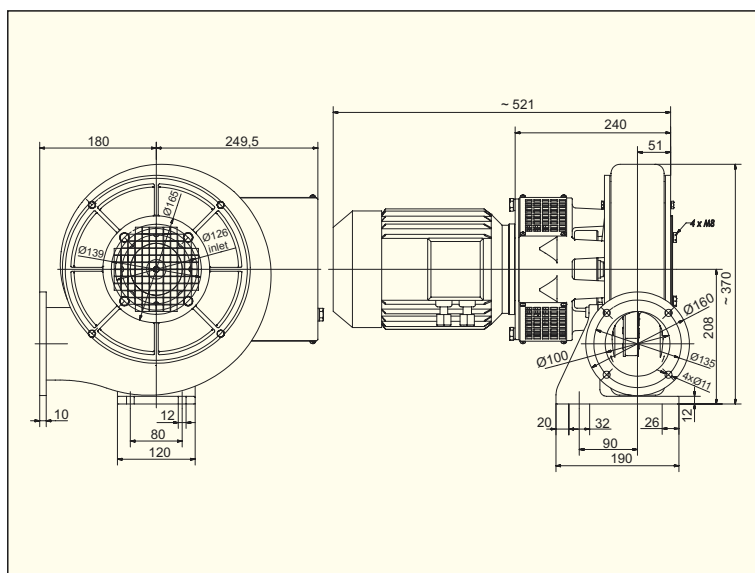
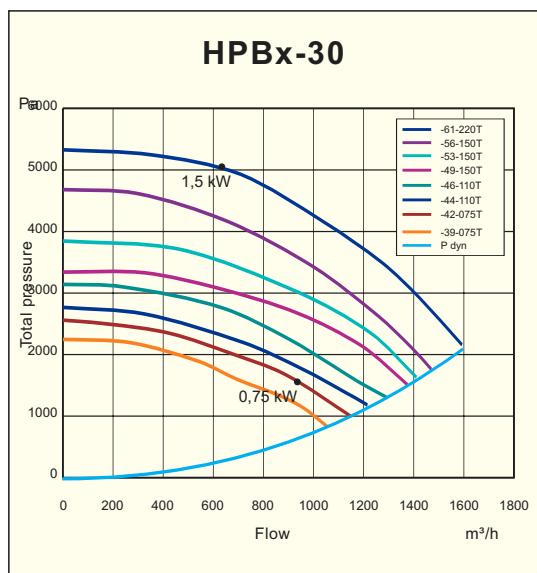
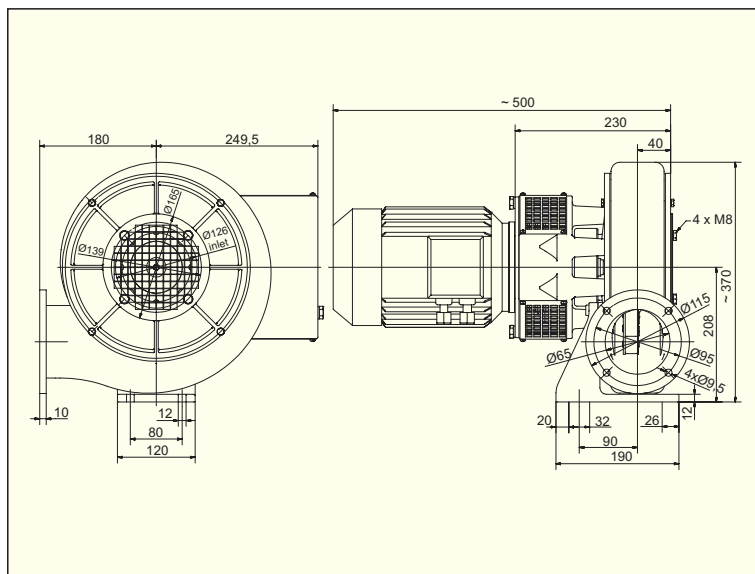
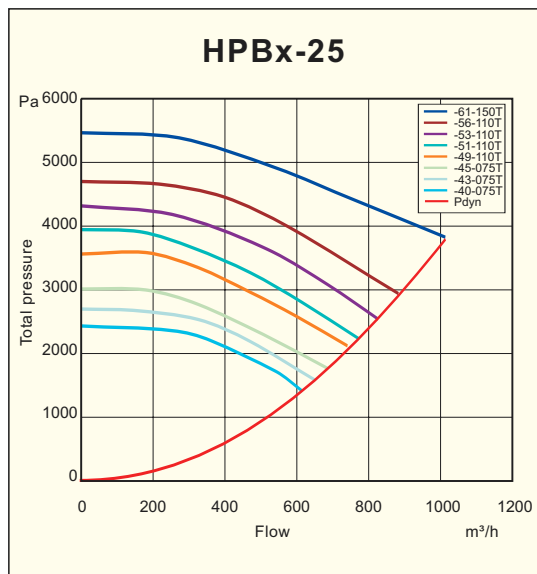


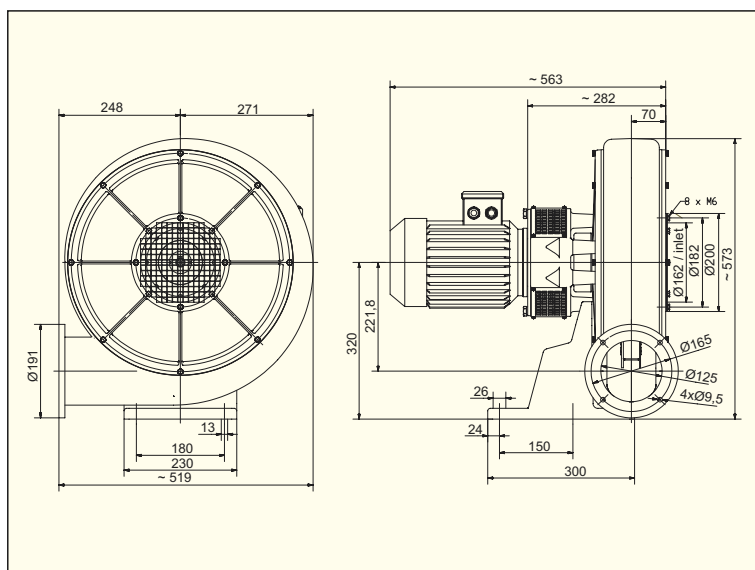
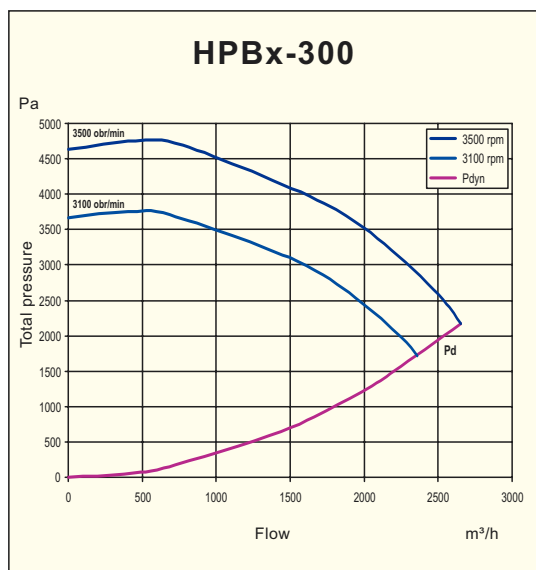
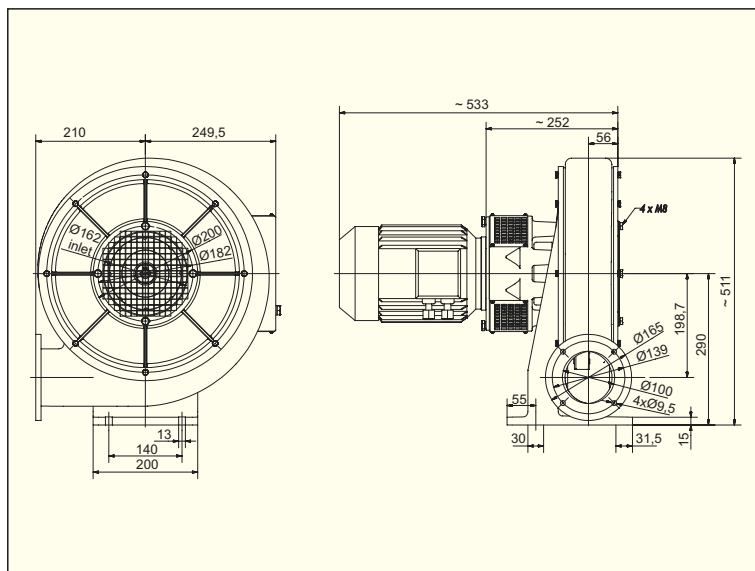
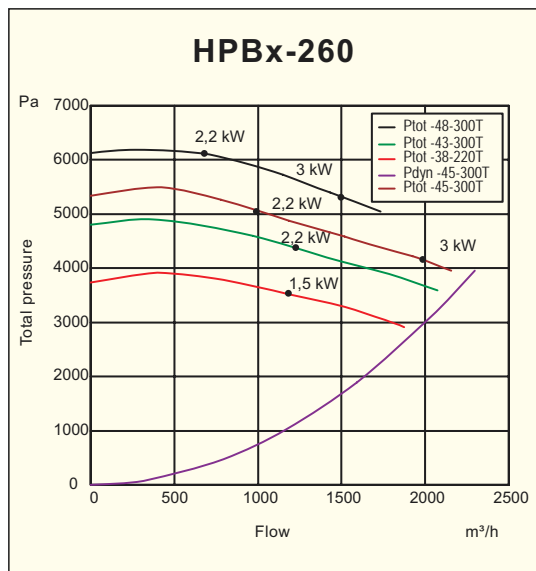
Filter suction side page 190

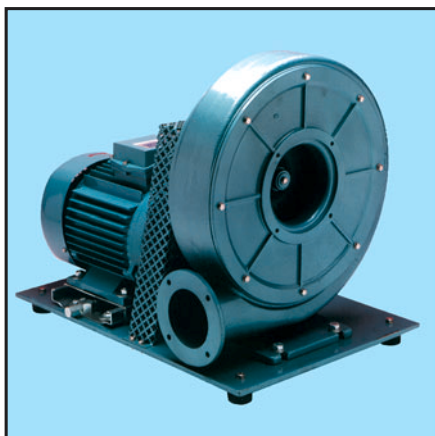


Protection outlet

Performance curves







Construction

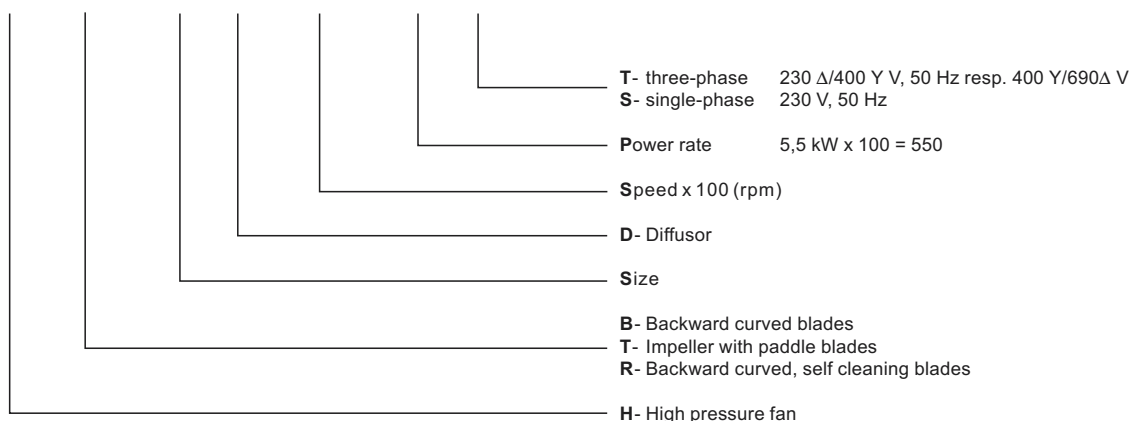
Single inlet, belt driven centrifugal fan with casing in cast aluminium and impeller with backward curved blades (type HPB), backward curved self cleaning blades (typ HPR) or straight radial blades (type HPT) in aluminium sheet. Casing and impeller in other materials for example stainless steel or galvanized steel sheet may be supplied on request.

Motor

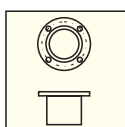
220-240/380-420V, 50Hz (380-420/660-720V above 3kW) three-phase or 220-240V, 50Hz single-phase asynchronous motor with capacitor. Insulation class F, enclosure IP55. Special voltage or frequency, improved enclosure IP65, 2-speed motors and explosion proof motors can be supplied on request. Wiring diagram, see page 235.

Model numbering system

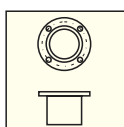
H P B - 260 D - 49 - 550 T



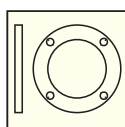
Accessories



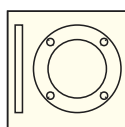
Connector suction side page 188



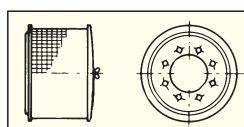
Connector pressure side page 188



Welding flange suction side page 189



Welding flange pressure side page 189



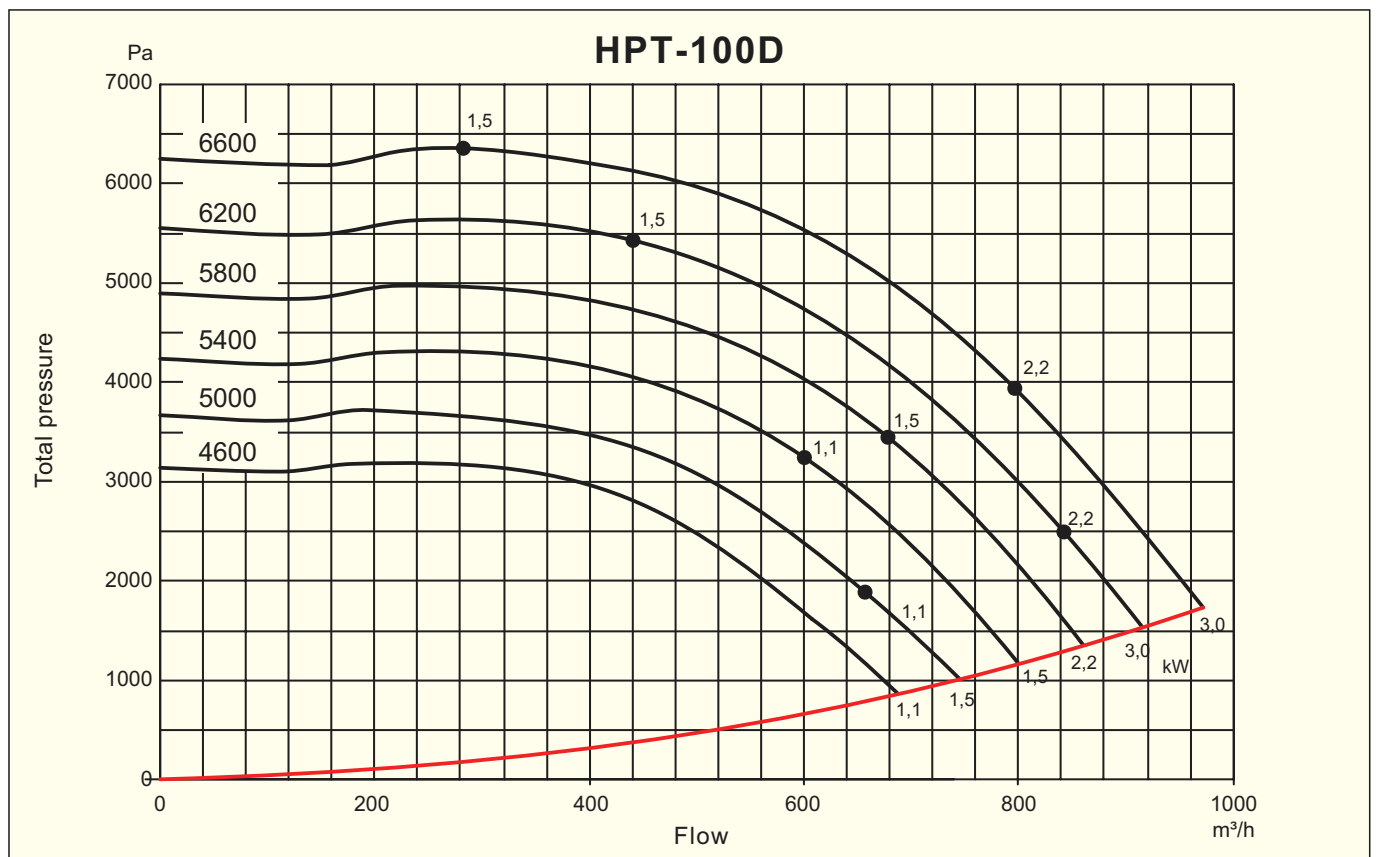
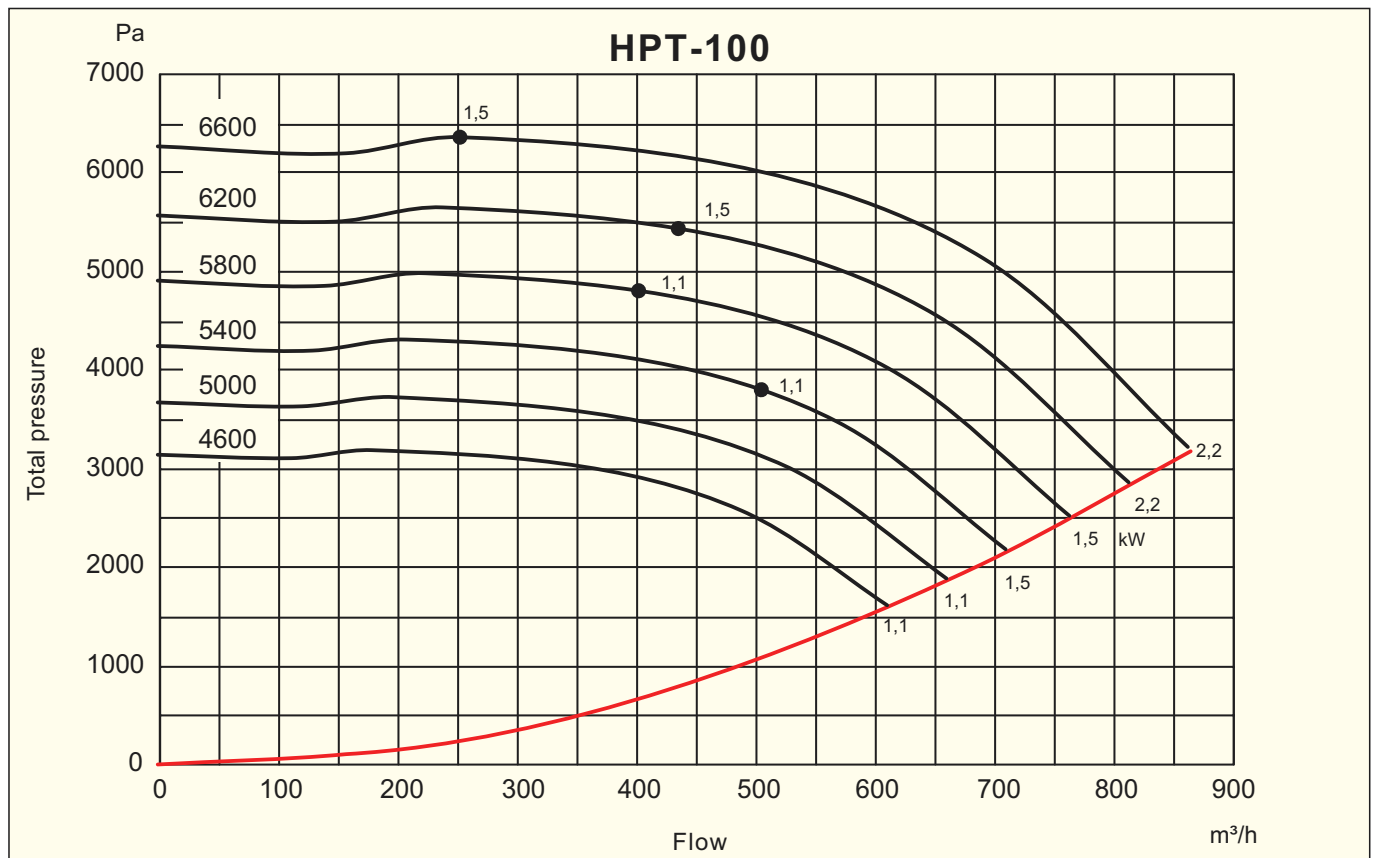
Filter suction side page 189

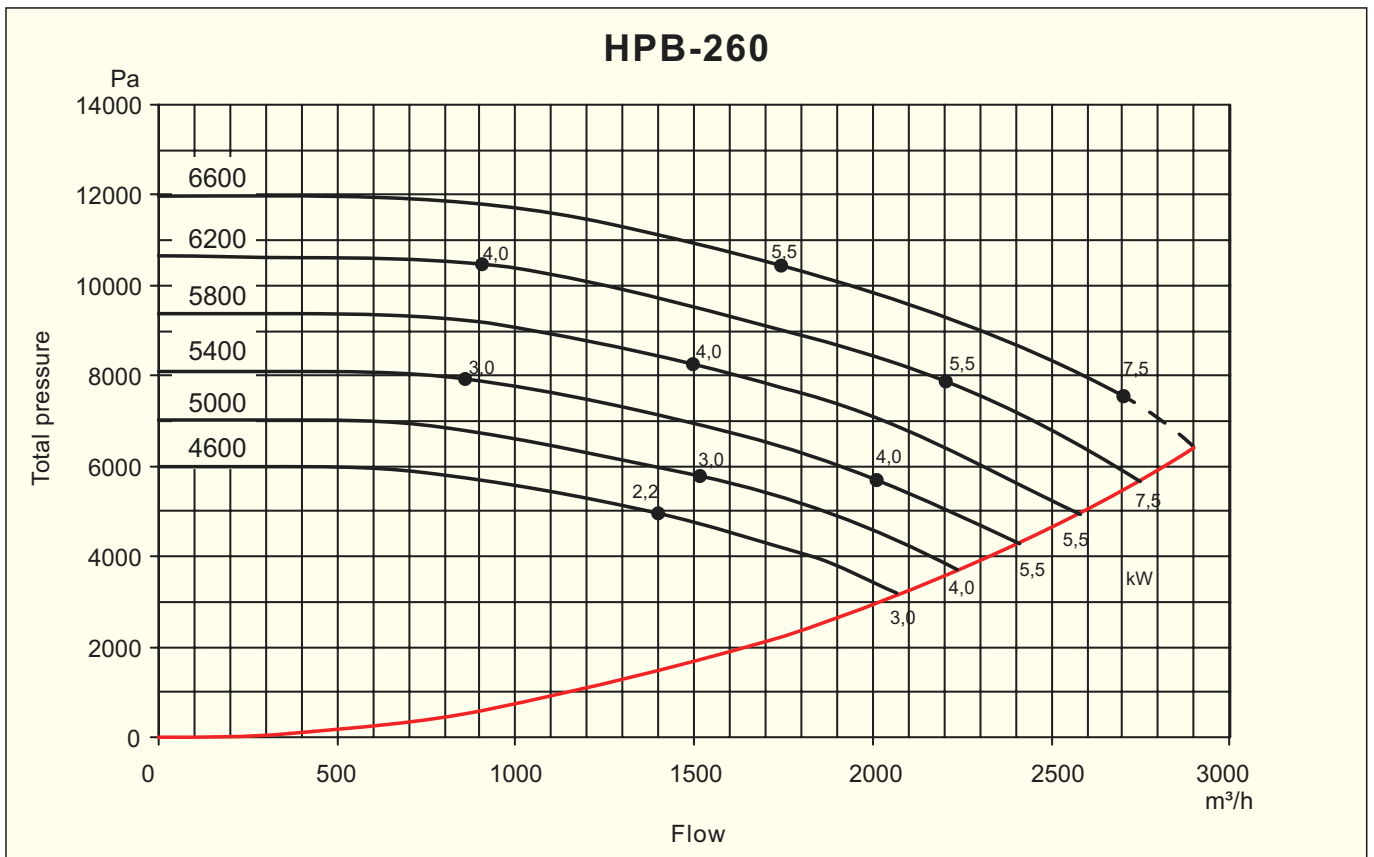
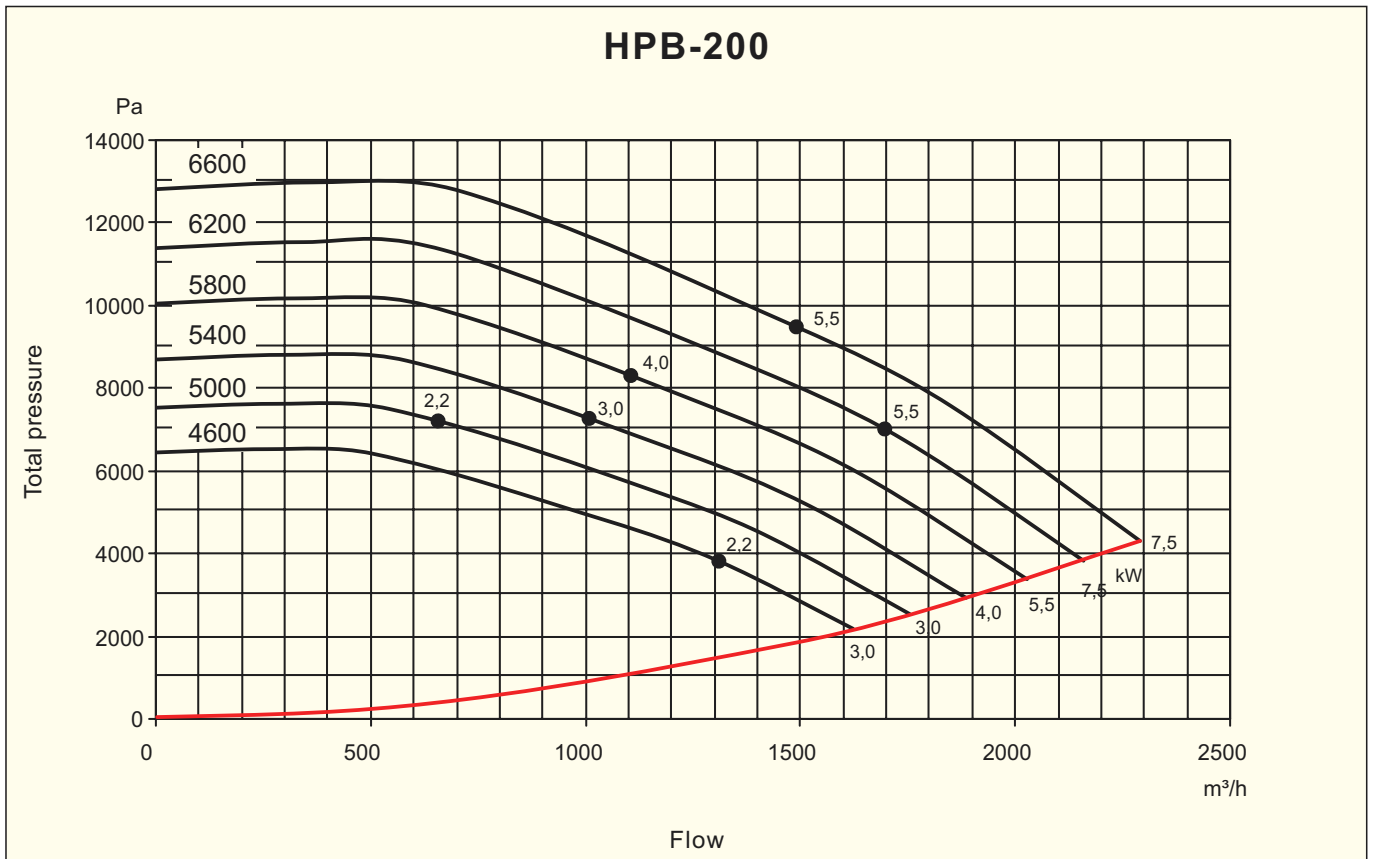
Technical specification

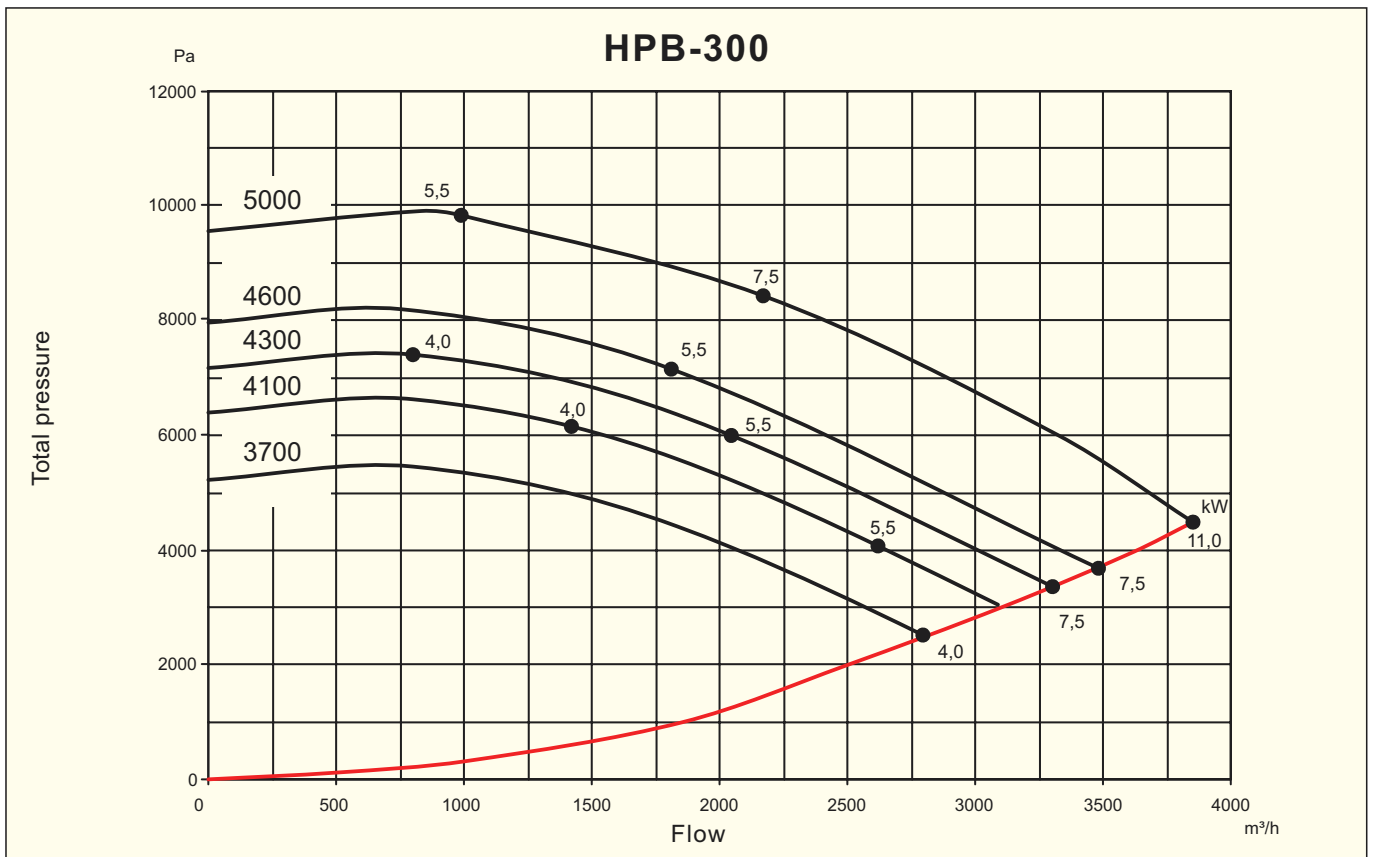
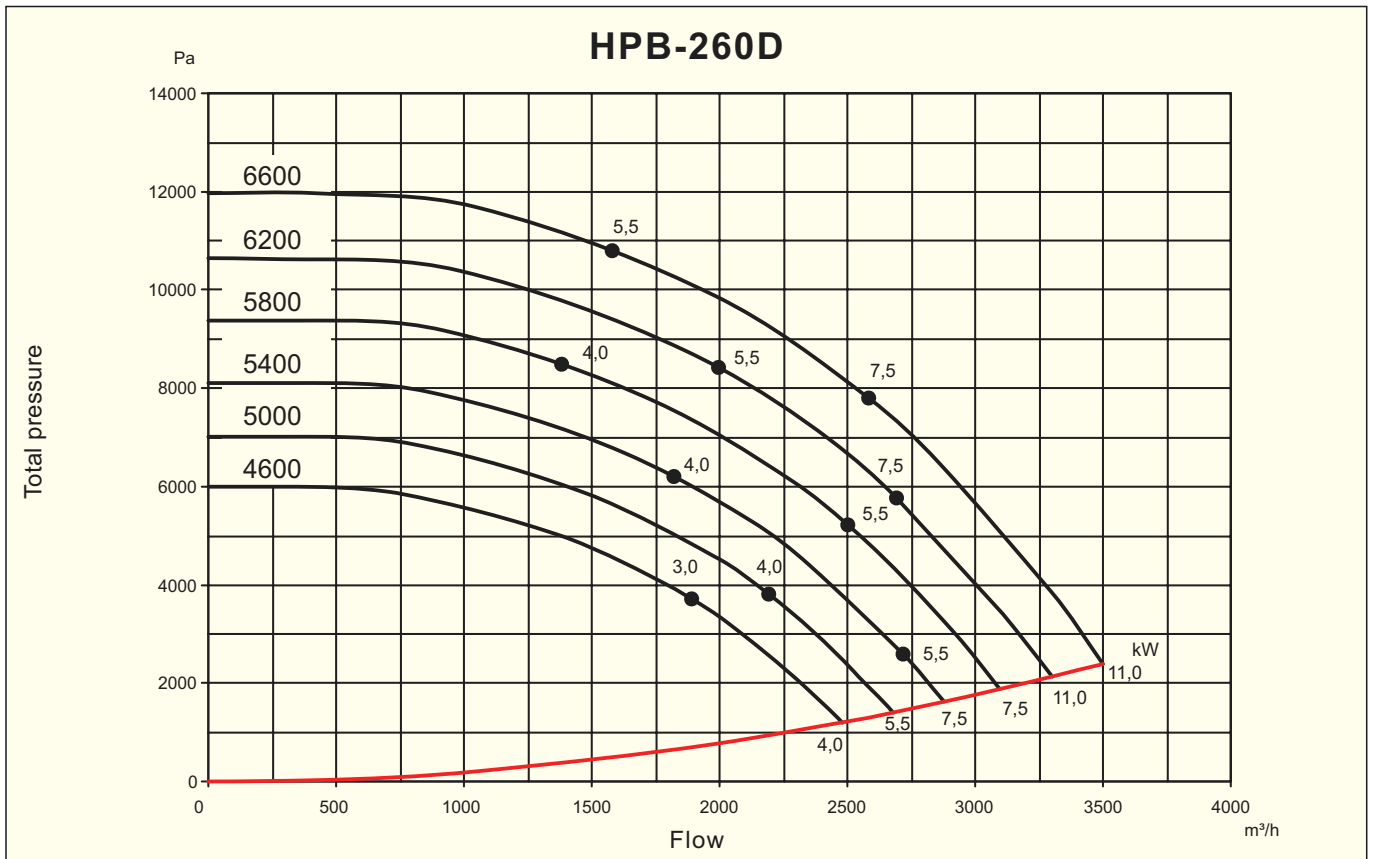
Type	Motor power kW	Voltage V	Maximum current A	Weight kg	Sound level* dB(A)	Article number
HPT-100	1,1	230/400	4,32/2,5	38	88	113 650 100
HPT-100	1,1	230	7,9	39	88	113 650 105
HPT-100	1,5	230/400	5,9/3,4	41	88	113 650 110
HPT-100	1,5	230	8,7	42	88	113 650 115
HPT-100	2,2	230/400	8,3/4,9	45	88	113 650 120
HPT-100	3,0	230/400	10,9/6,1	49	88	113 650 130
HPT-100D	2,2	230/400	8,3/4,9	46	90	113 650 140
HPT-100D	3,0	230/400	10,9/6,1	50	90	113 650 150
HPB-200	2,2	230/400	8,0/4,6	70	88	113 650 180
HPB-200	3,0	230/400	11,3/6,5	74	90	113 650 190
HPB-200	4,0	400/690	7,8/4,5	85	95	113 650 200
HPB-200	5,5	400/690	10,6/6,1	91	97	113 650 210
HPB-260	3,0	230/400	11,3/6,5	74	90	113 650 220
HPB-260	4,0	400/690	7,8/4,5	85	95	113 650 230
HPB-260	5,5	400/690	10,6/6,1	91	97	113 650 240
HPB-260	7,5	400/690	13,7/7,9	93	99	113 650 250
HPB-260D	4,0	400/690	7,8/4,5	86	95	113 650 260
HPB-260D	5,5	400/690	10,6/6,1	92	97	113 650 270
HPB-260D	7,5	400/690	13,7/7,9	94	99	113 650 280
HPB-300	3,0	230/400	11,3/6,5	80	90	113 650 300
HPB-300	4,0	400/690	7,8/4,5	90	95	113 650 305
HPB-300	5,5	400/690	10,6/6,1	94	97	113 650 310
HPB-300	7,5	400/690	13,7/7,9	97	99	113 650 315
HPB-300	11	400/690	21,2/12,2	105	100	113 650 320
HPB-360	7,5	400/690	13,7/7,9	139	100	113 650 360
HPB-360	11,0	400/690	21,2/12,2	183	102	113 650 370
HPB-360	15,0	400/690	27,2/15,7	198	105	113 650 380
HPB-360	18,5	400/690	32,0/18,4	213	105	113 650 390
HPR-400	11	400/690	21,2/12,2	190	100	113 650 400
HPR-400	15	400/690	27,2/15,7	210	102	113 650 410
HPR-400	18,5	400/690	32,0/18,4	225	105	113 650 420
HPR-400	22	400/690	40,0/23,1	255	105	113 650 430
HPR-400	30	400/690	53,0/30,6	320	107	113 650 440

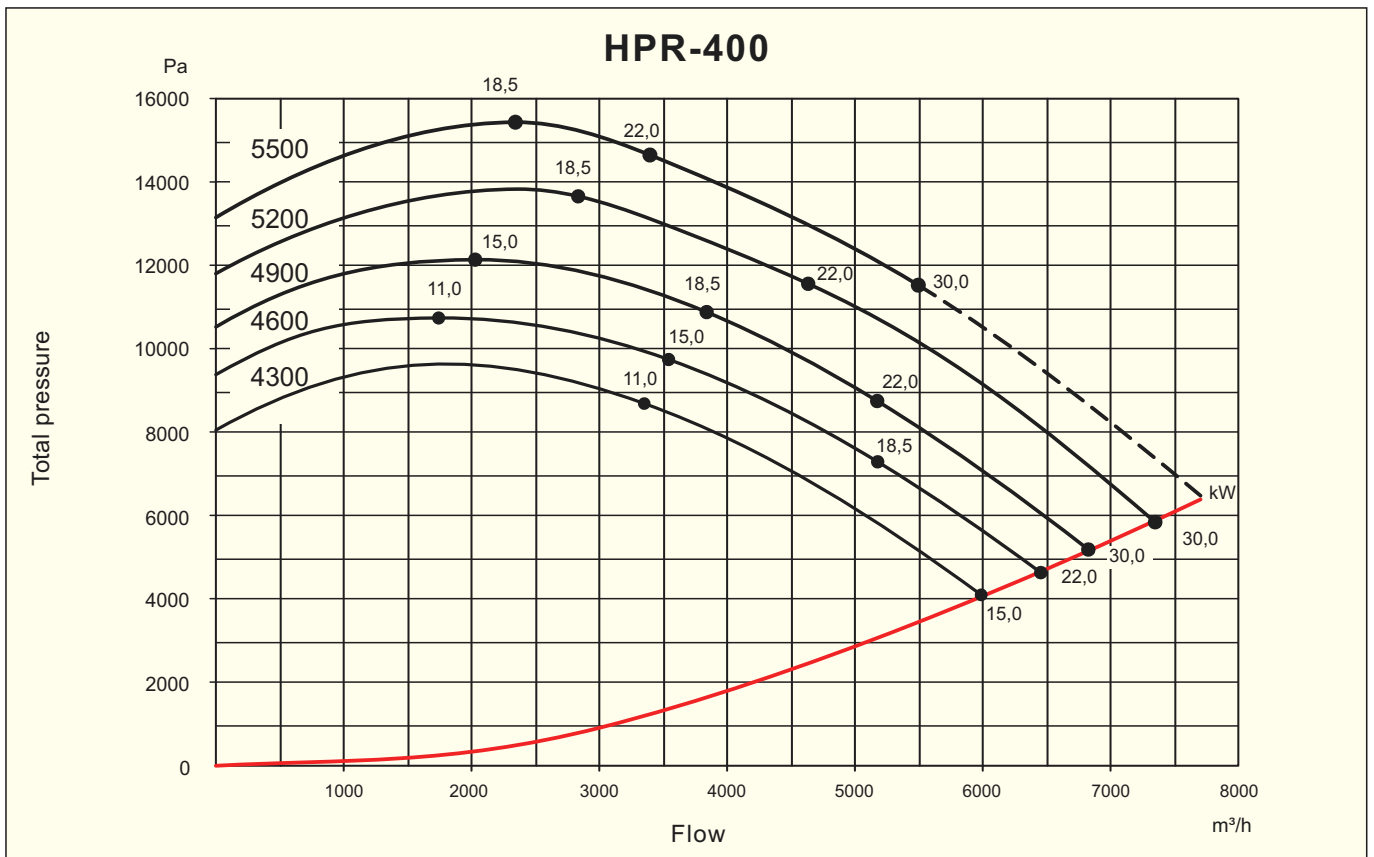
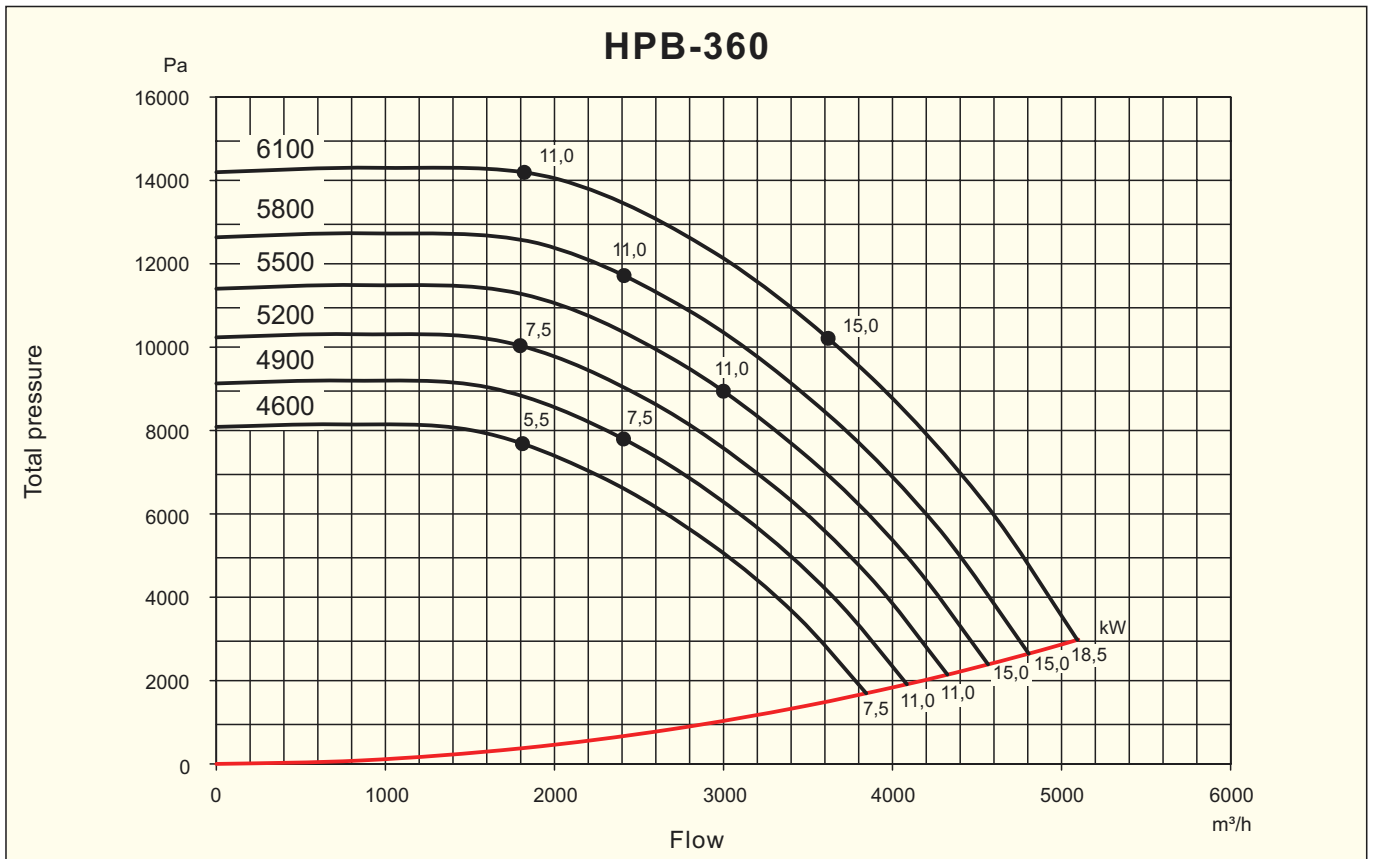
* - in the middle of the performance curve.

Performance curves



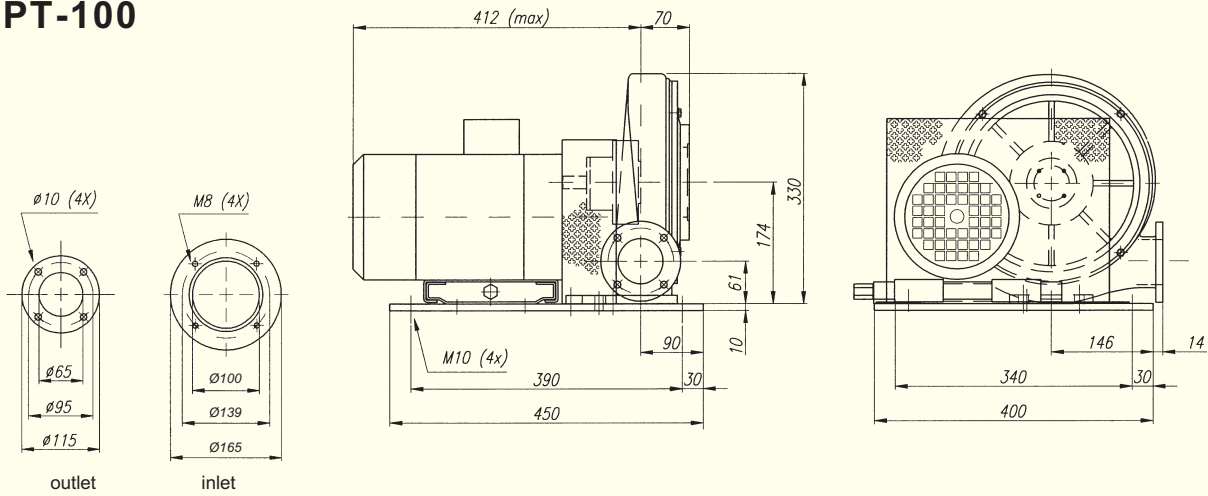




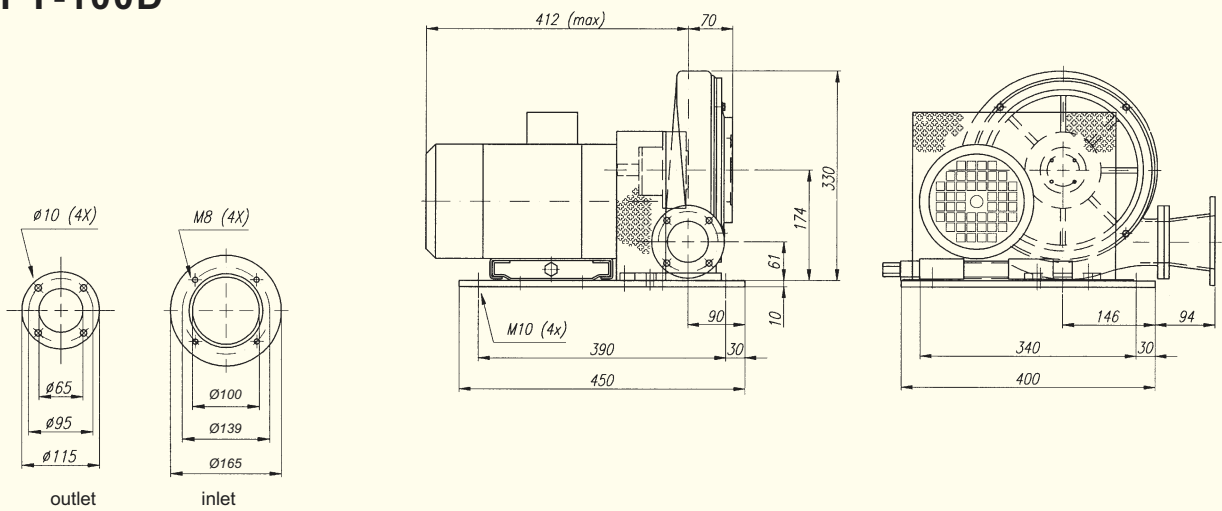


Dimensions in mm

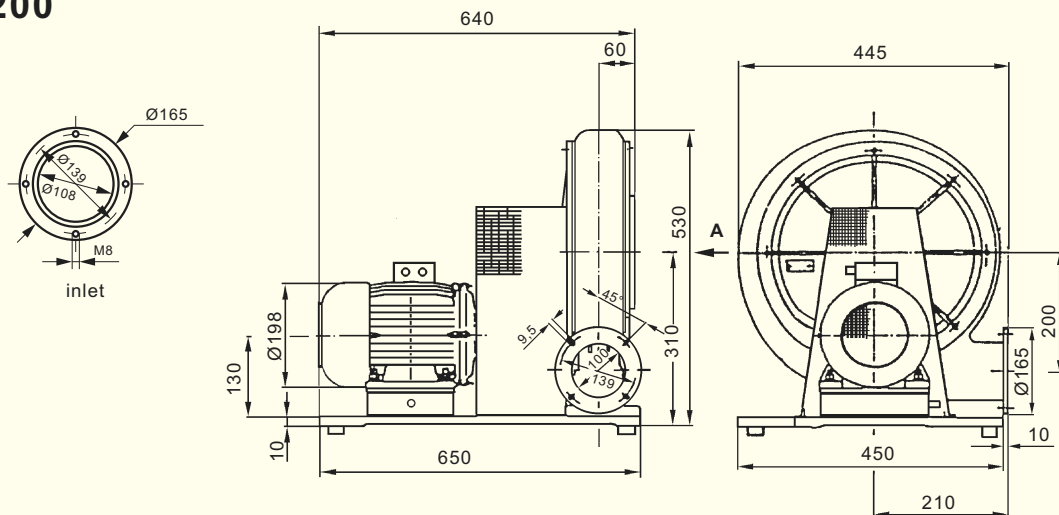
HPT-100



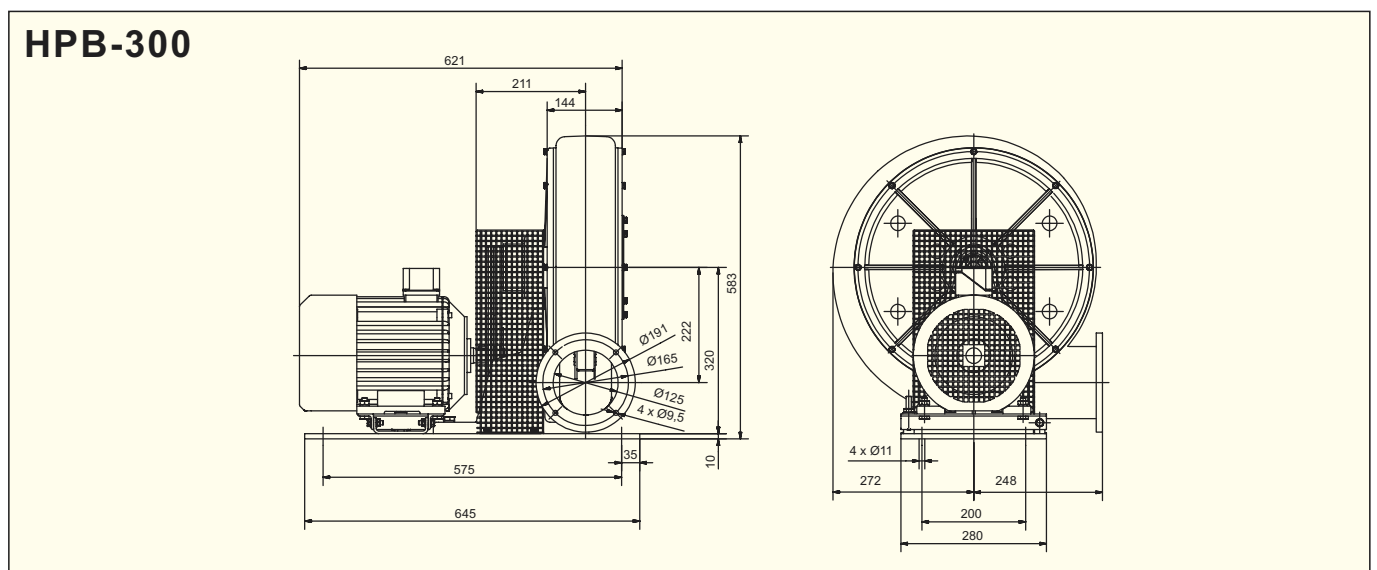
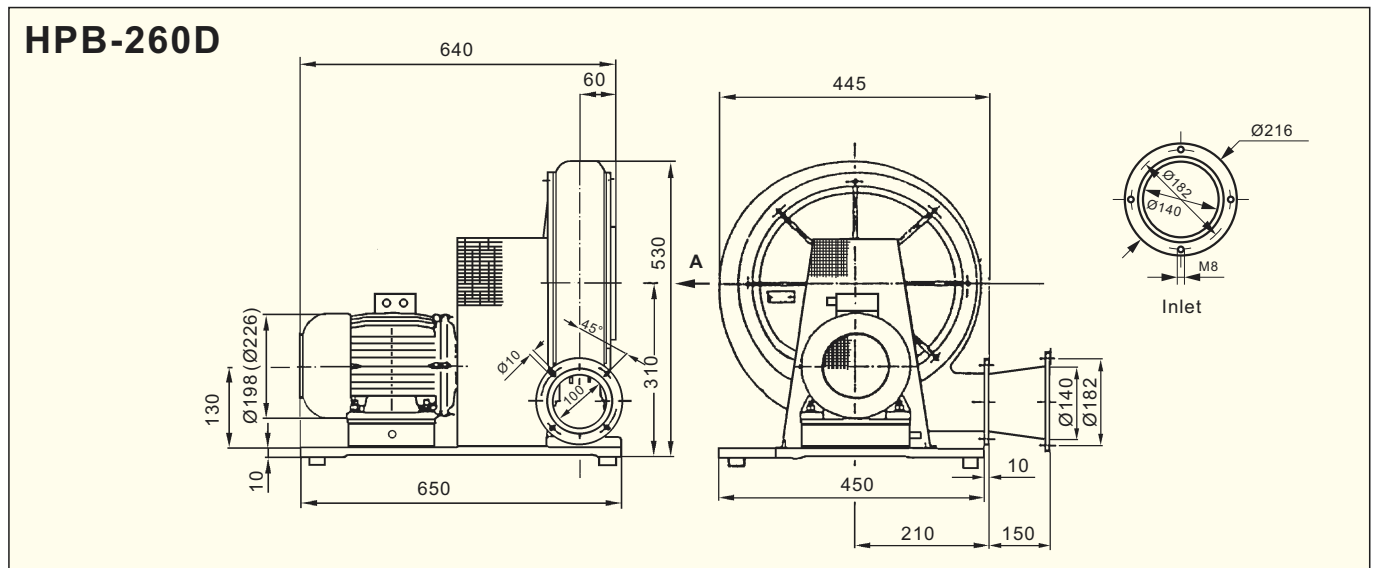
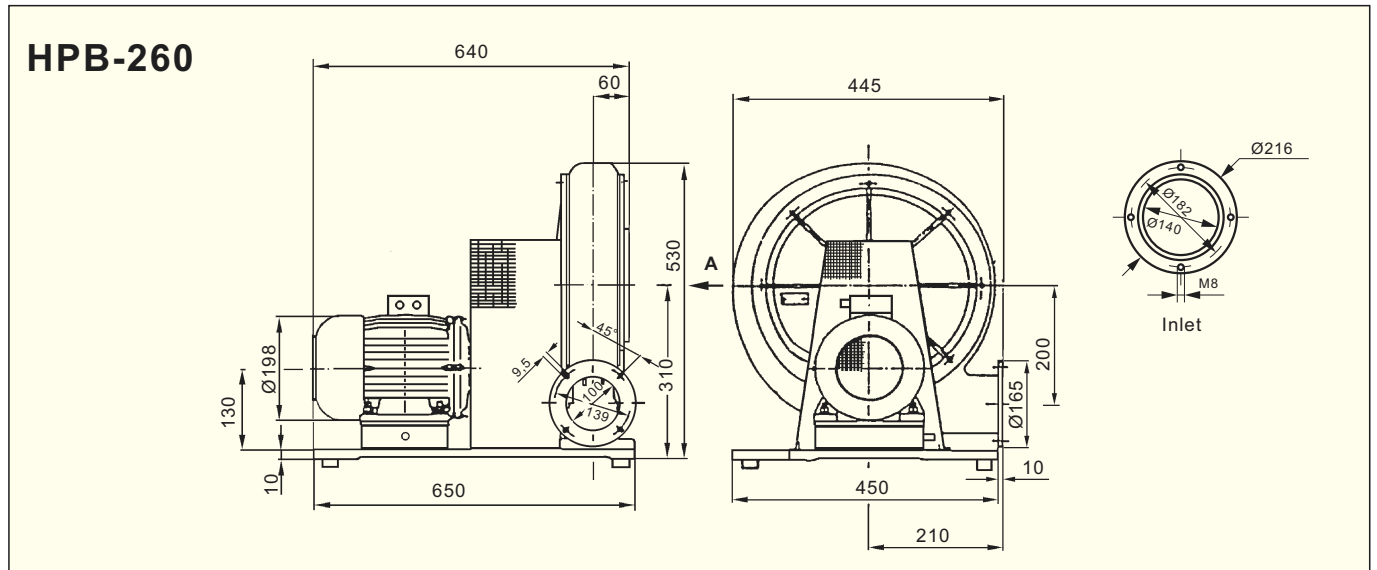
HPT-100D



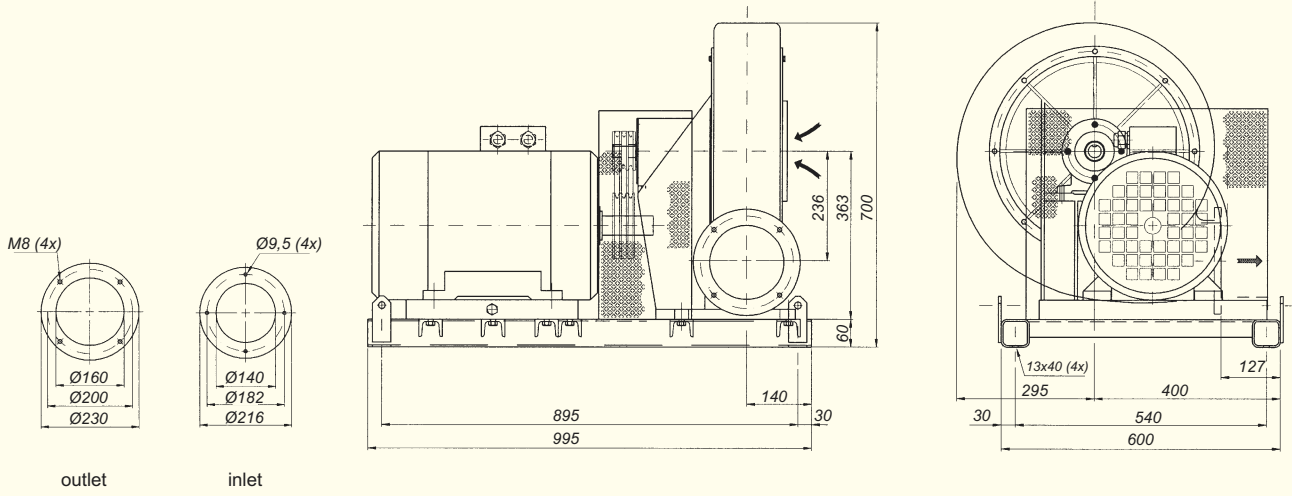
HPB-200



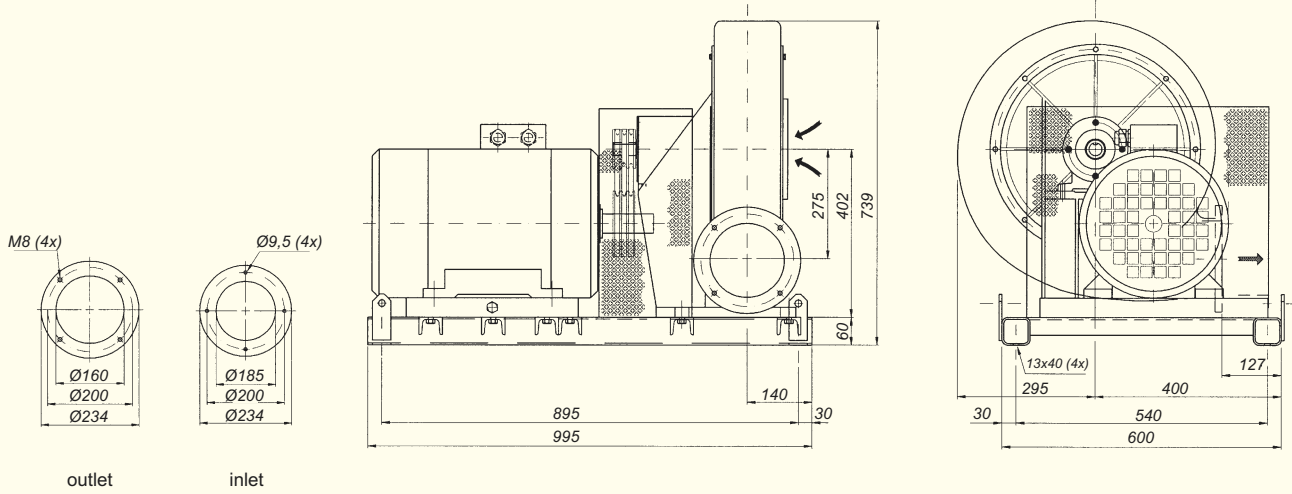
Dimensions in mm

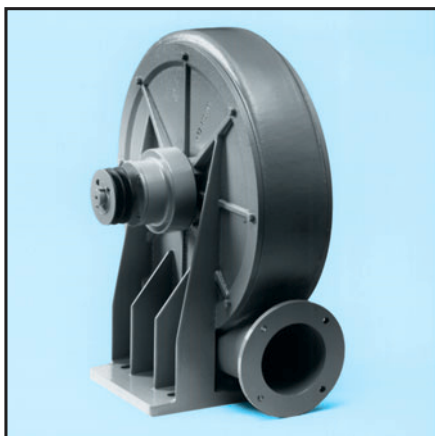


HPB-360



HPR-400



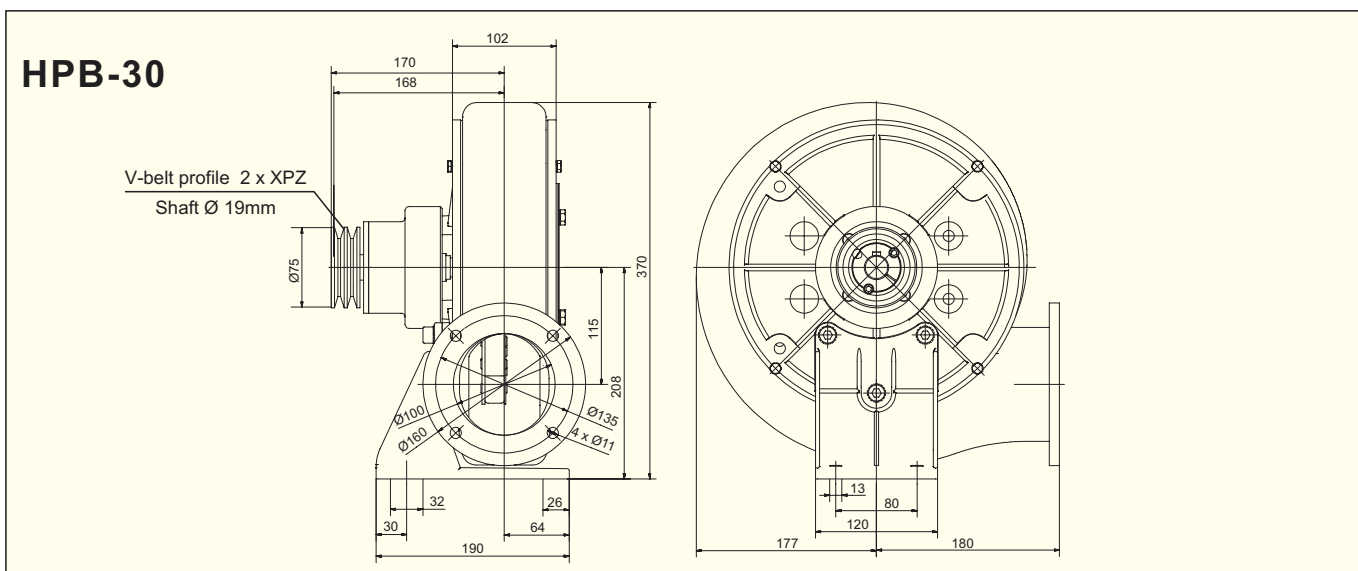
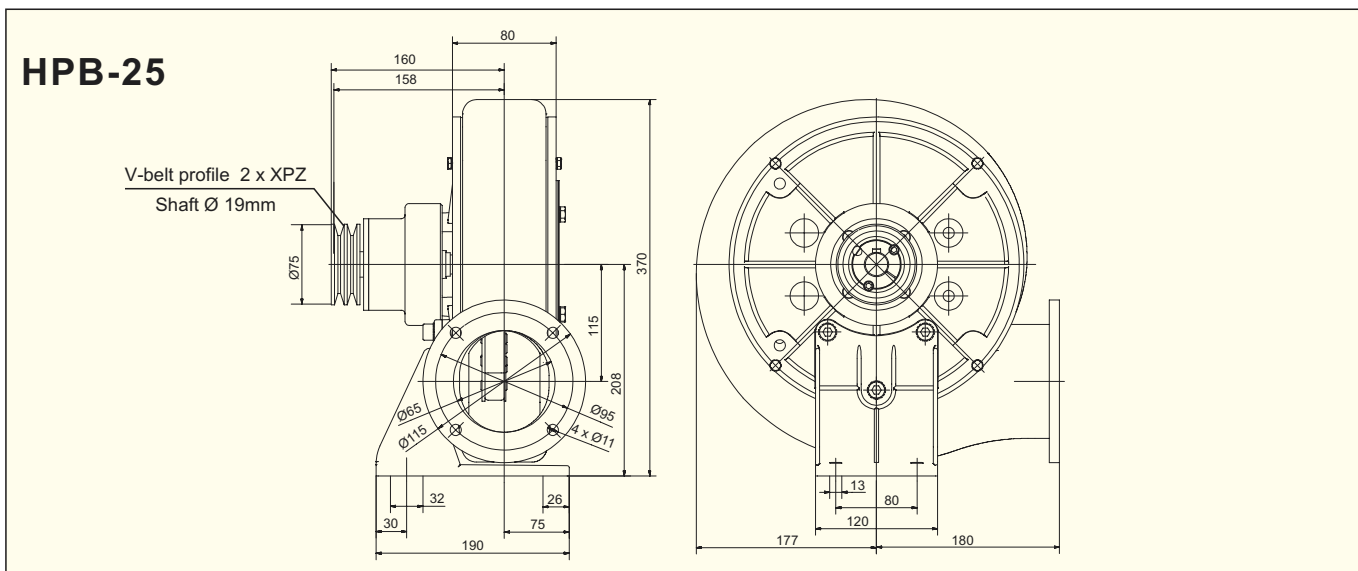


Technical specification*

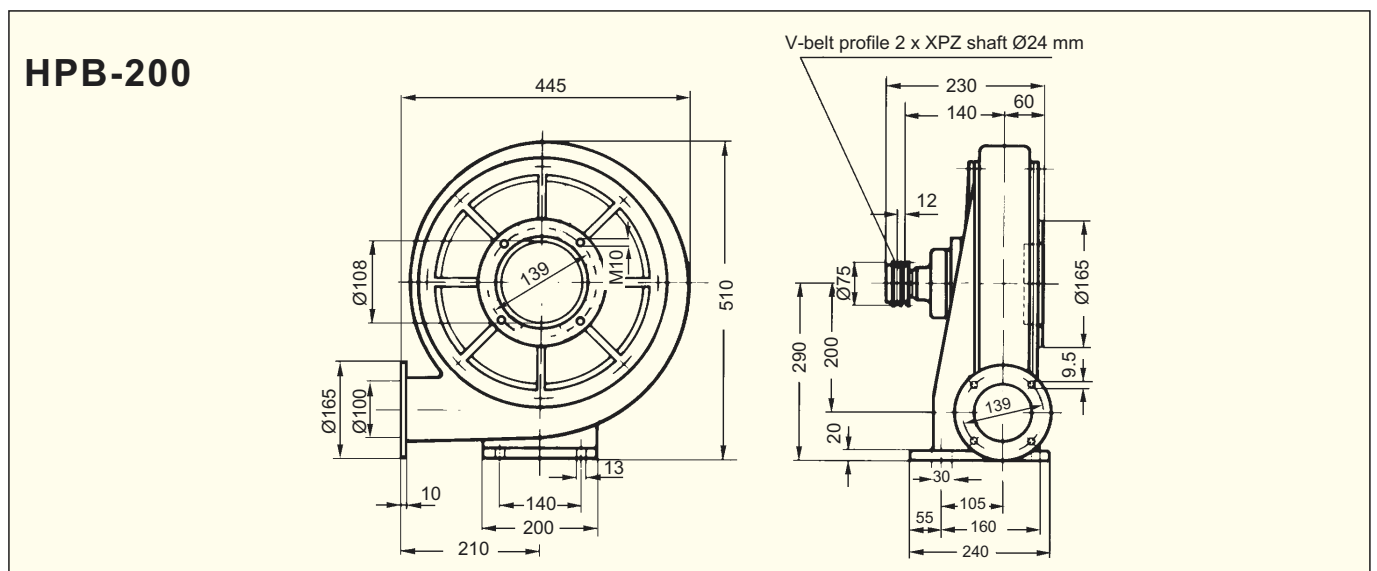
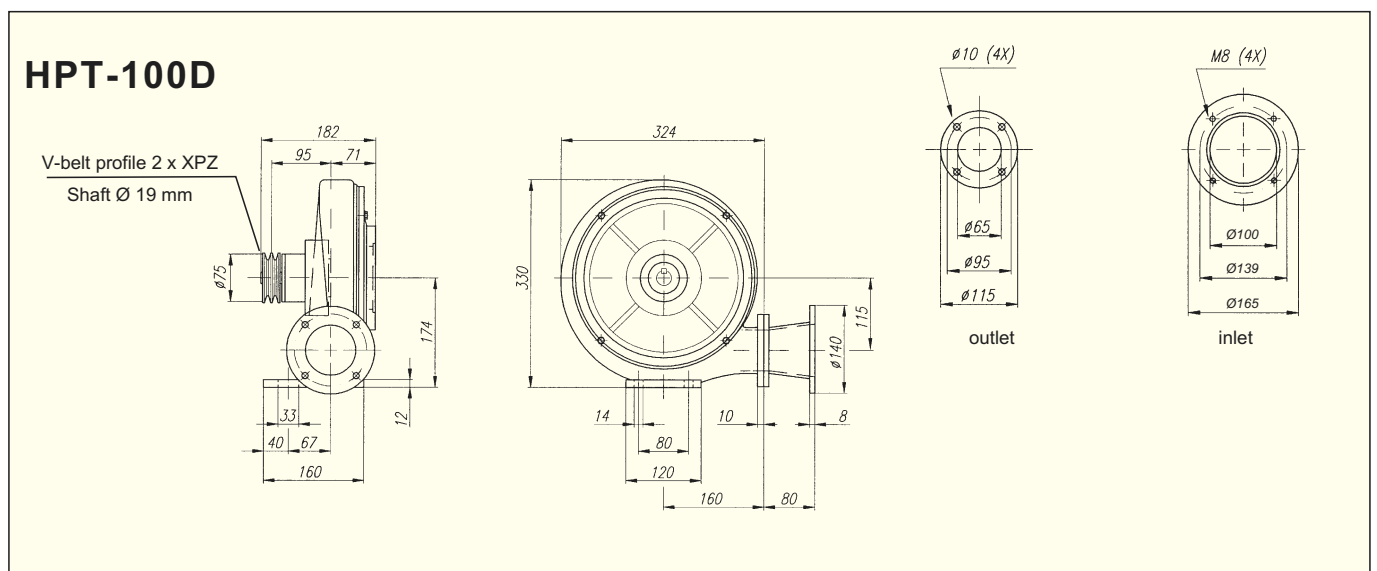
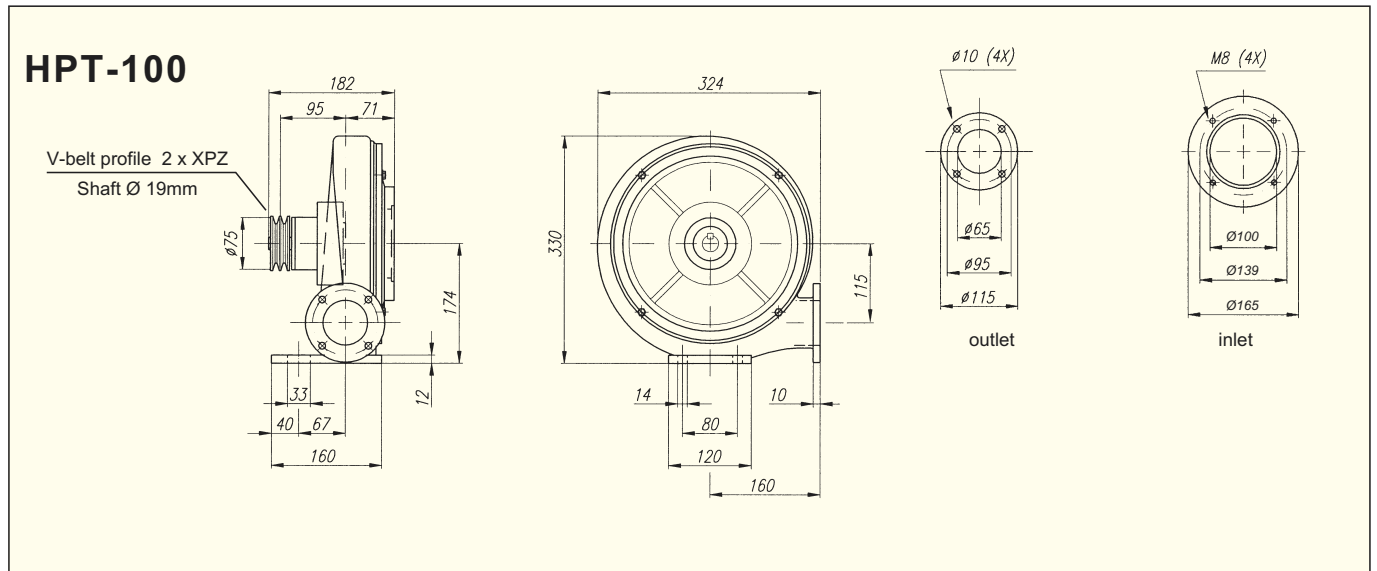
Type	Speed (max) rpm	Motor power kW	Maximum duty m³/h	Maximum pressure Pa	Weight kg	Article number*
HPB-25	6600	3,0	950	7000	7,0	113 650 490
HPB-30	6600	3,0	950	7000	9,0	113 650 495
HPT-100	6600	3,0	850	6200	6,0	113 650 500
HPT-100D	6600	3,0	1000	6200	7,0	113 650 510
HPB-200	6600	5,5	2300	12900	19	113 650 520
HPB-260	6600	7,5	2800	12000	19	113 650 530
HPB-260D	6600	7,5	3500	12000	20	113 650 540
HPB-300	6400	11,0	4500	16000	28	113 650 550
HPB-360	6400	18,5	5000	16000	30	113 650 580
HPR-400	5800	30,0	7500	16000	40	113 650 590

* - bare unit only

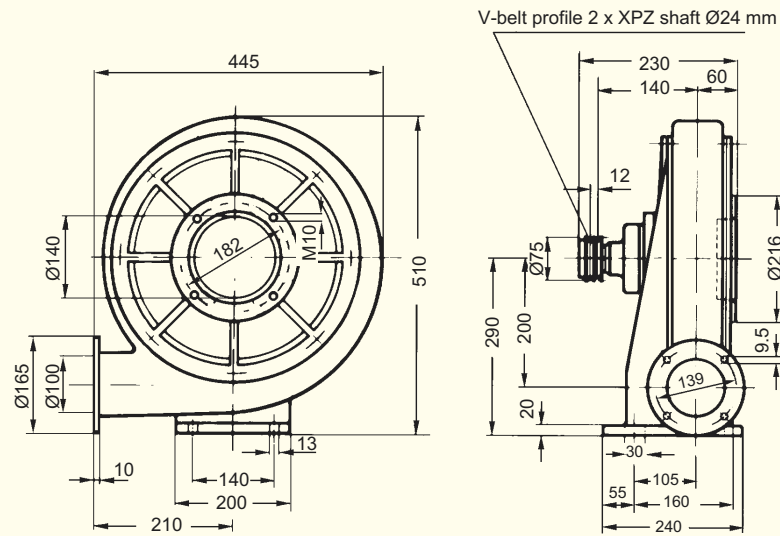
Dimensions in mm



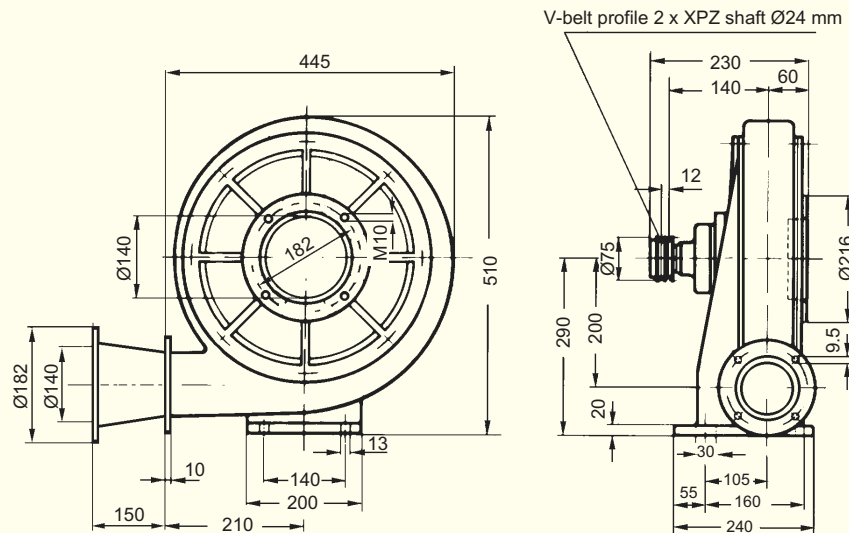
Dimensions in mm



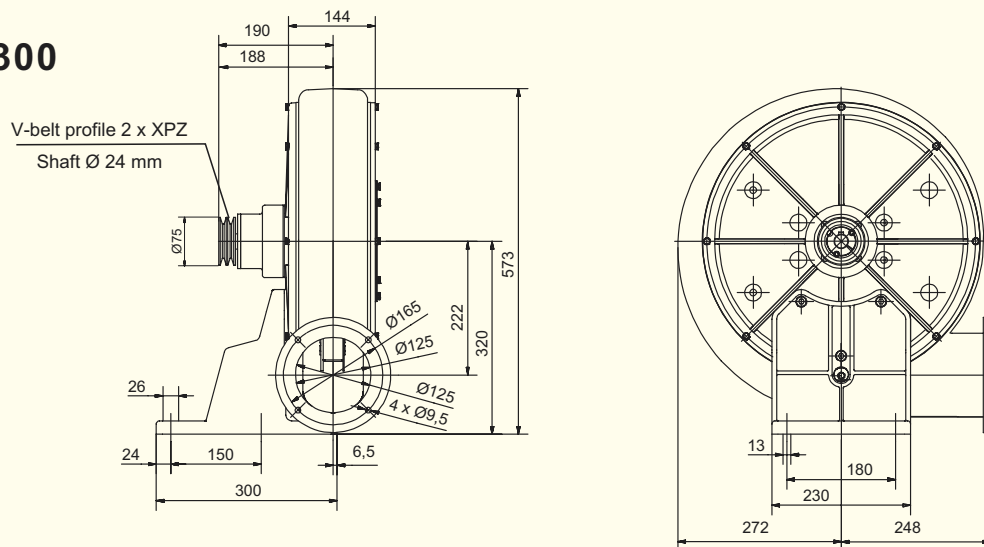
HPB-260

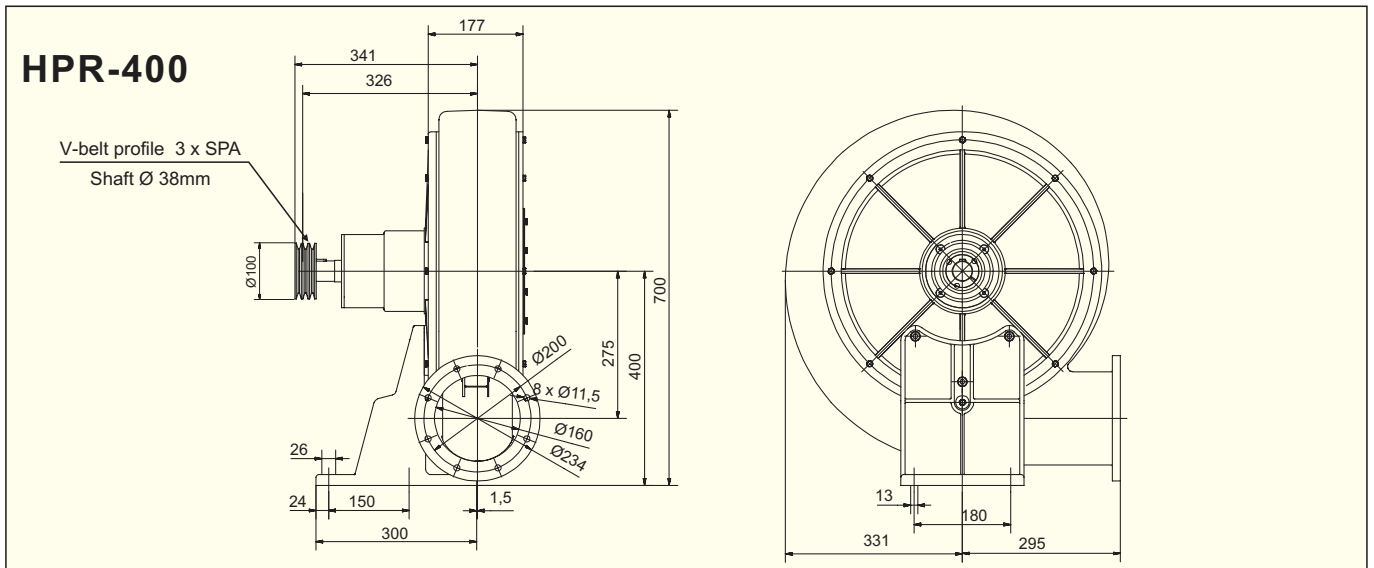
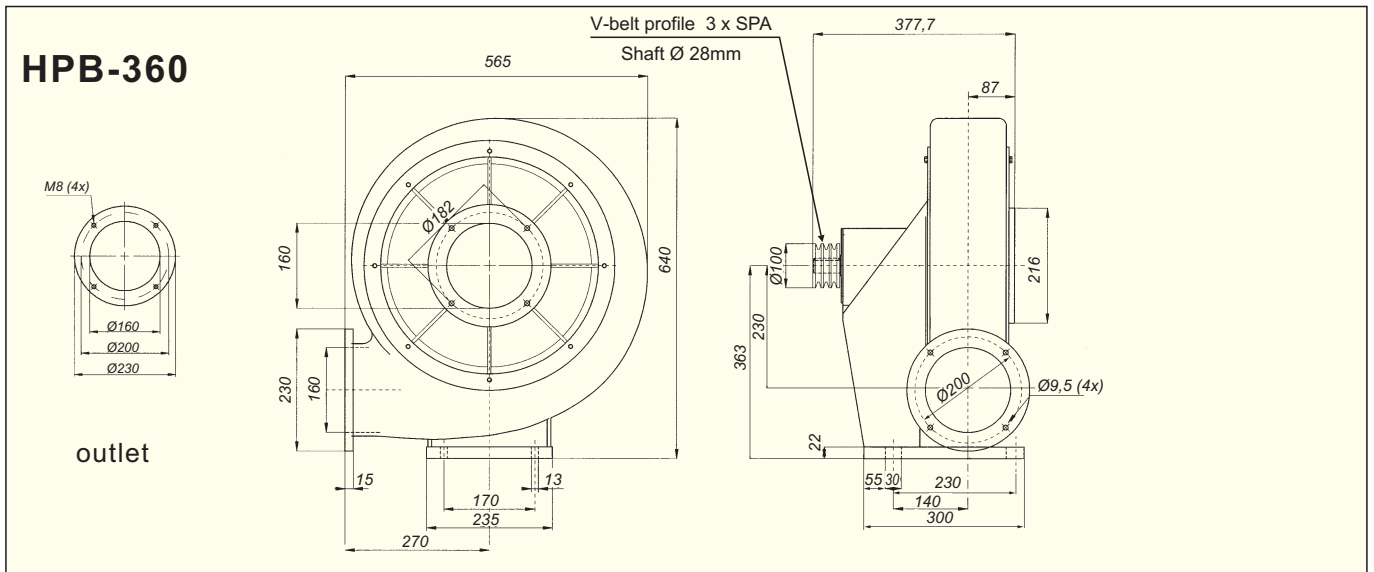


HPB-260D

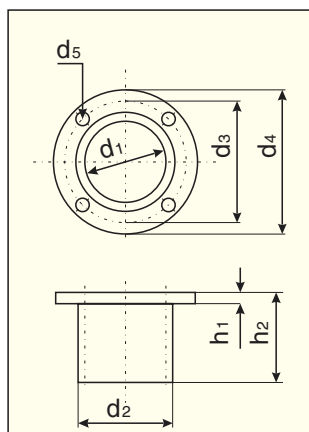


HPB-300





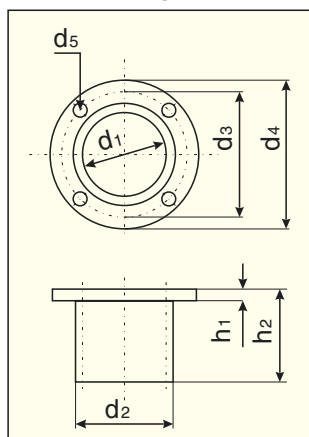
Connector suction side



Type	d ₁	d ₂	d ₃	d ₄	d ₅	h ₁	h ₂	Article number
HPB-25	110	125	139	165	9	10	80	113 611 180
HPB-30	110	125	139	165	9	10	80	113 611 180
HPT-100*	100	108						113 561 100*
HPT-100D*	100	108						113 561 125*
HPB-200	110	125	139	165	9	10	80	113 611 180
HPB-260	148	160	182	200	9	10	80	113 611 220
HPB-260D	148	160	182	200	9	10	80	113 611 220
HPB-300	148	160	182	200	9	10	80	113 611 230
HPB-360	148	160	182	200	9	10	80	113 611 220
HPR-400	172	180	200	234	9	10	80	113 611 240

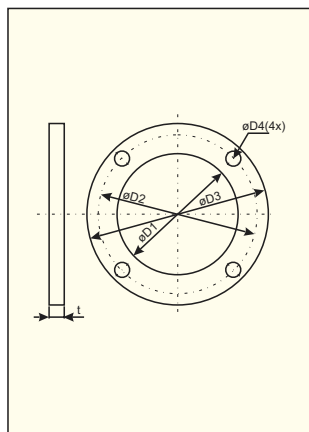
* - use inlet with connector

Connector pressure side



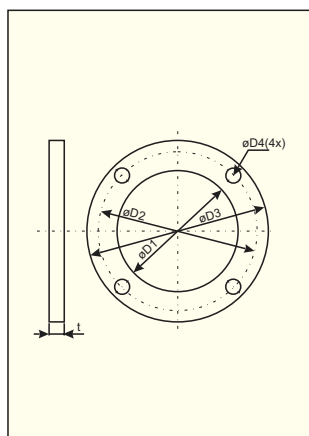
Type	d ₁	d ₂	d ₃	d ₄	d ₅	h ₁	h ₂	Article number
HPB-25	65	76	95	115	10	10	80	113 562 100
HPB-30	65	76	95	115	10	10	80	113 562 100
HPT-100	65	76	95	115	10	10	80	113 562 100
HPT-100D	80	89	112	130	11	10	80	113 562 160
HPB-200	100	112	139	165	9,5	10	80	113 612 180
HPB-260	100	112	139	165	9,5	10	80	113 612 180
HPB-260D	140	150	182	200	10	10	80	113 662 540
HPB-300	125	139	165	190	10	10	80	113 562 270
HPB-360	160	170	200	230	10	11	80	113 562 260
HPR-400	160	170	200	230	10	10	80	113 562 280

Welding flange suction side



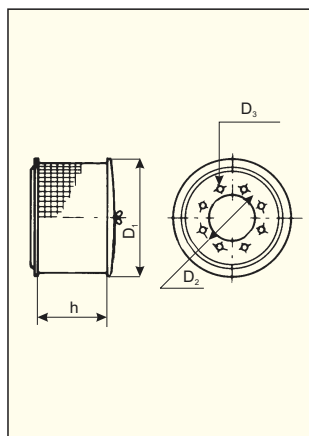
Type	D ₁	D ₂	D ₃	D ₄	t	Article number
HPB-25	110	139	165	9	10	113 617 160
HPB-30	110	139	165	9	10	113 617 160
HPT-100	100	139	165	8,5	10	113 567 100
HPT-100D	100	139	165	8,5	10	113 567 100
HPB-200	110	139	165	9	10	113 617 180
HPB-260	148	182	200	9	10	113 617 220
HPB-260D	148	182	200	9	10	113 617 220
HPB-300	148	182	200	9	10	113 617 230
HPB-360	148	182	200	9	10	113 617 220
HPR-400	172	200	234	9	10	113 617 240

Welding flange pressure side



Type	D ₁	D ₂	D ₃	D ₄	t	Article number
HPB-25	65	95	115	10	10	113 613 160
HPB-30	65	95	115	10	10	113 613 160
HPT-100	65	95	115	10	10	113 563 100
HPT-100D	80	112	130	11	10	113 563 160
HPB-200	100	139	165	9,5	10	113 613 180
HPB-260	100	139	165	9,5	10	113 613 180
HPB-260D	140	182	200	10	10	113 663 540
HPB-300	125	165	190	9	10	113 563 270
HPB-360	160	200	230	11	10	113 563 260
HPR-400	160	200	230	10	10	113 563 260

Filter suction side



Type	D ₁	D ₂	D ₃	h	Article number
HPB-25	284	139	10	140	113 565 100
HPB-30	284	139	10	140	113 565 100
HPT-100	284	139	10	140	113 565 100
HPT-100D	284	139	10	140	113 565 100
HPB-200	284	139	9	190	113 615 180
HPB-260	284	182	9	300	113 615 220
HPB-260D	284	182	9	300	113 615 220
HPB-300	284	182	9	300	113 615 220
HPB-360	560	182	10	395	113 565 260
HPR-400	560	200	9	395	113 565 270