

## Construction

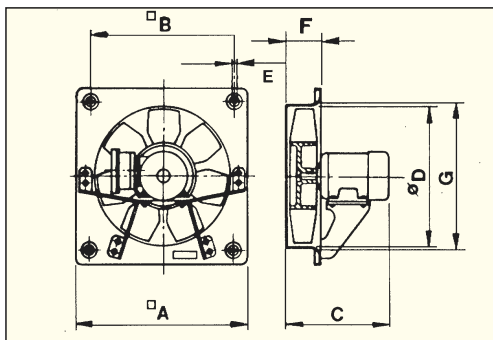
Axial-flow fan in explosion proof design, can be mounted in various directions. Impellers, wall plate and motor bracket in die-cast aluminium.

## Motor

230/400V, 50Hz three-phase asynchronous motor in flameproof design EExd II B T5 according to EN 50014 and EN 50018 (for gases with an ignition temperature above 100°C). Insulation class F, enclosure IP55.

## Dimensions in mm

Type	A	B	C			DØ	EØ	F	GØ
			/4	/6	/8				
HDT-315	400	330	323	-	-	315	10	85	239
HDT-355	450	380	325	325	-	355	10	87	371
HDT-400	500	420	336	336	-	400	10	90	422
HDT-450	560	480	360	349	349	450	10	106	476
HDT-560	710	630	435	435	368	560	10	112	596



## Technical specification

Type	Speed rpm	Motor power kW	Maximum current (A)		Maximum duty m³/h	Sound level dB (A)	Weight kg	Article number
			230 V	400 V				
HDT/4-315	1330	0,12	0,90	0,52	2240	56	9,5	112 440 011
HDT/4-355	1340	0,18	1,14	0,66	3120	60	11,0	112 440 021
HDT/6-355	950	0,12	1,02	0,59	2100	52	11,0	112 440 031
HDT/4-400	1370	0,37	1,90	1,10	4780	65	15,0	112 440 035
HDT/6-400	900	0,15	1,13	0,65	3140	56	15,0	112 440 037
HDT/4-450	1380	0,55	2,60	1,50	8000	66	20,0	112 440 041
HDT/6-450	900	0,25	1,73	1,00	5300	58	16,0	112 440 051
HDT/8-450	670	1,11	1,07	0,62	4100	52	16,0	112 440 061
HDT/4-560	1390	1,00	5,02	2,90	13700	73	29,0	112 440 071
HDT/6-560	920	0,75	3,11	1,80	9300	65	29,0	112 440 081
HDT/8-560	680	0,26	1,77	1,02	7250	59	20,0	112 440 091

