

Construction

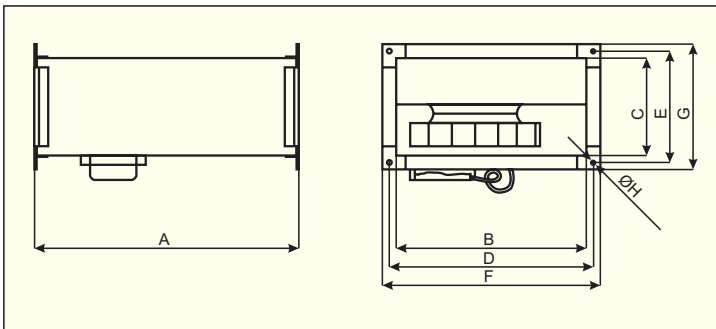
In-line fan designed for installation in rectangular ducting. Casing in welded steel sheet, powder coated. Backward curved impellers.

Motor

220-240V, 50Hz single-phase external rotor motor with capacitor. Suitable for speed control. Enclosure IP44, insulation class B. Special voltage or frequency improved enclosure and motors with thermal protection may be supplied on request. Wiring diagram, see page 180.



Dimensions in mm



Type	A	B	C	D	E	F	G	ØH
190	402	298	148	320	170	340	190	9
220	502	398	198	420	220	440	240	9
280	532	498	248	520	270	540	290	9
315	565	500	298	522	320	540	338	9
355	725	600	348	622	370	640	388	9

Technical specification

Type	Speed rpm	Motor power W	Maximum current A	Maximum duty m ³ /h	Temperature °C	Sound level dB (A)	Weight kg	Article number
IBF/2-190	2400	85	0,34	600	75	64	8	113 921 100
IBF/2-220	2790	110	0,53	900	65	71	12	113 921 200
IBF/2-280	1850	260	1,10	1500	50	76	18	113 921 300
IBF/4-280	1400	90	0,40	1000	45	61	18	113 921 400
IBF/4-315	1440	120	0,56	1400	55	66	25	113 921 500
IBF/4-355	1400	230	1,16	2250	55	68	25	113 921 600

Accessories



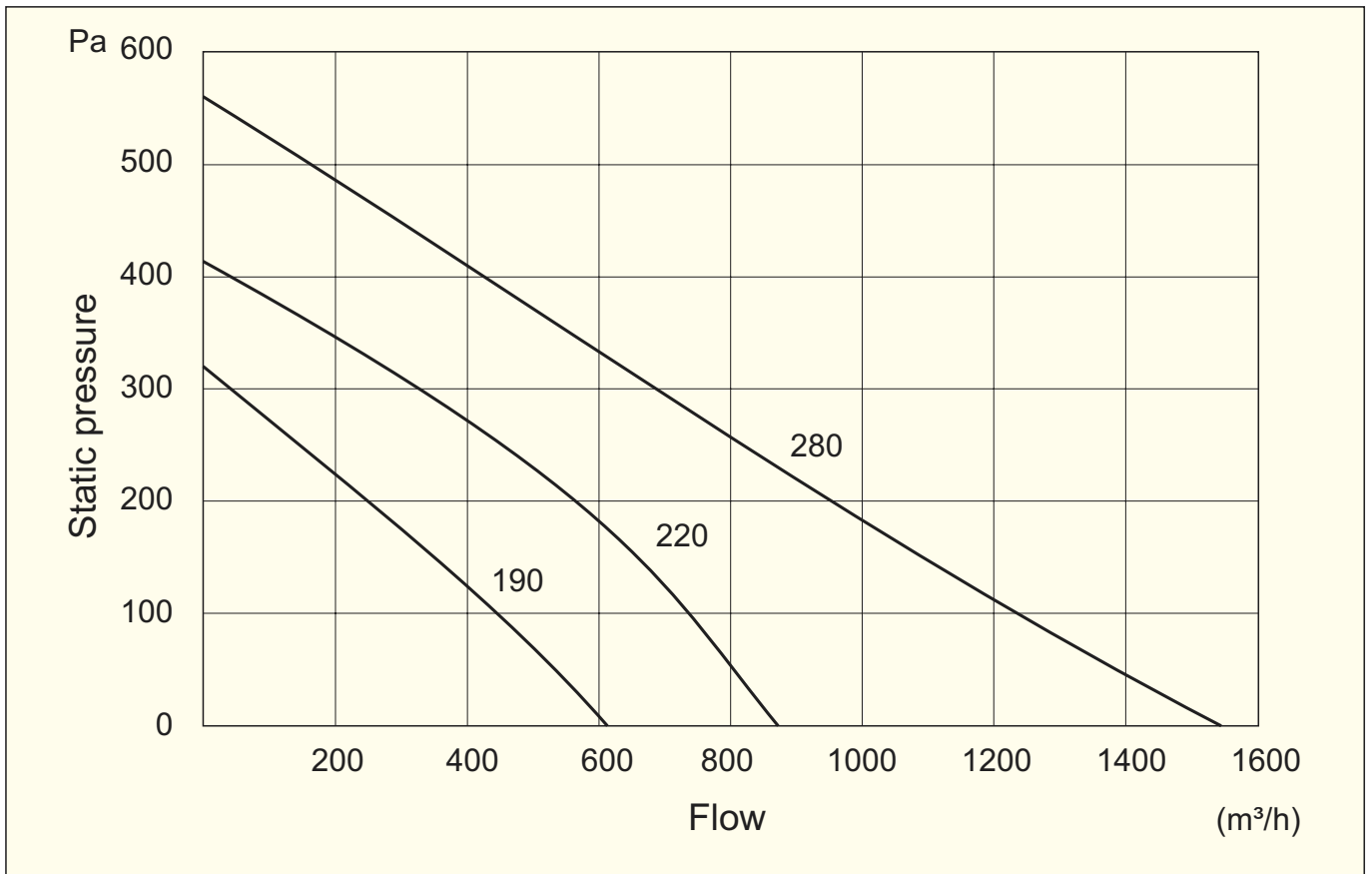
Electronic Regulator REB page 176

Speed Controller RMB page 176

Duct Heater RH page 18

Duct Filter DFR page 21

IBF/2-190, IBF/2-220, IBF/2-280



IBF/4-280, IBF/4-315, IBF/4-355

