



Construction

Single inlet centrifugal fan with spiral formed casing, impeller with self cleaning blades.

Fan GST-2-180/00 has impeller and casing of stainless acid proof steel and temperature barrier which allows max. temperature 150°C.

Motor

220-240/380-420V, 50Hz (380-420/660-690V above 3kW) three-phase asynchronous motor. Enclosure IP55, insulation class F. Special voltage or frequency, improved enclosure IP65 and explosion proof motor can be supplied on request.

Wiring diagram, see page 179.



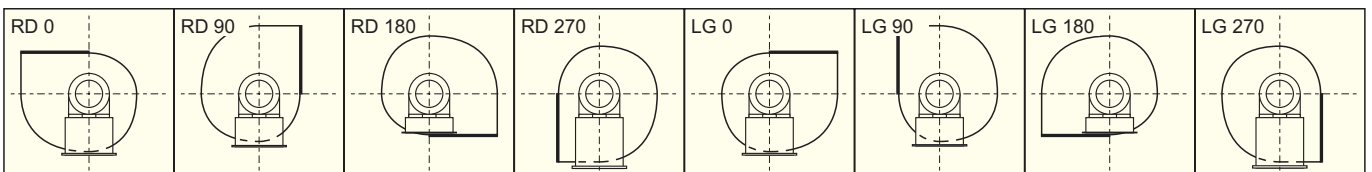
Accessories

Inlet and outlet fittings, wire guard, etc.

Technical specification

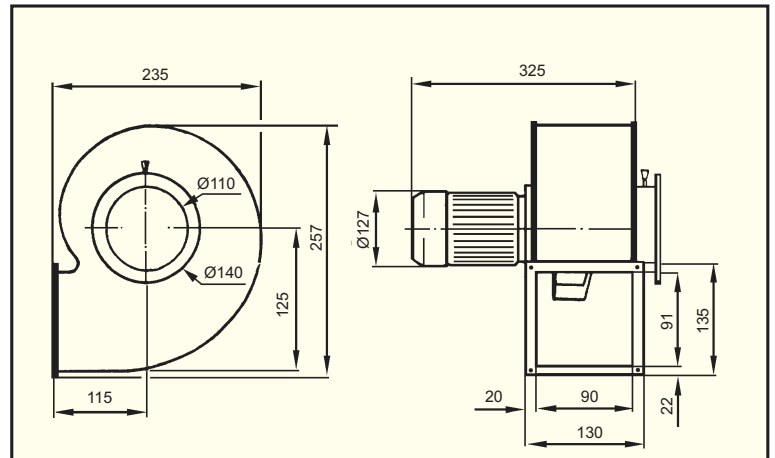
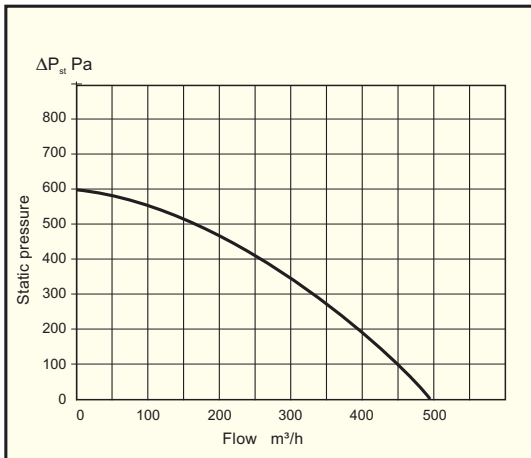
Type	Motor power kW	Voltage V	Maximum current A	Maximum duty m³/h	Pressure (max) Pa	Sound level * dB(A)	Weight kg	Article number
GST-2-180/00-018T	0.18	230/400	1.07/0.62	500	600	77	7	113 211 001
GST-2-180/00-055T	0.55	230/400	2.37/1.37	950	600	79	9	113 350 275
GST-2-440/55-110T	1.10	230/400	4.20/2.45	580	3900	87	15	113 371 001
GST-2-440/55-220T	2.20	230/400	8.30/4.80	1600	3900	87	30	113 371 101
GST-2-520/40-400T	4.00	400/690	7.80/4.45	2800	5100	92	50	113 371 601
GST-5-520/40-550T	5.00	400	10.90	3500	5100	94	55	113 371 620
GST-2-600/40-750T	7.50	400	14.00	5200	7150	94	83	113 371 640
GST-2-600/40-1100T	11.00	400	21.20	5900	7150	98	108	113 371 660

* - in the middle of the performance curve.

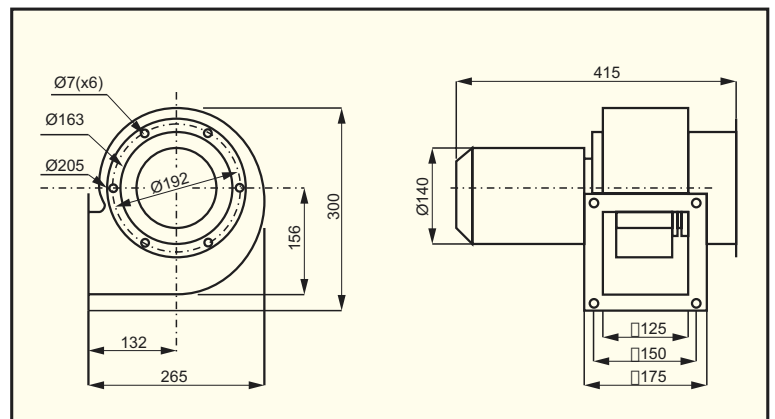
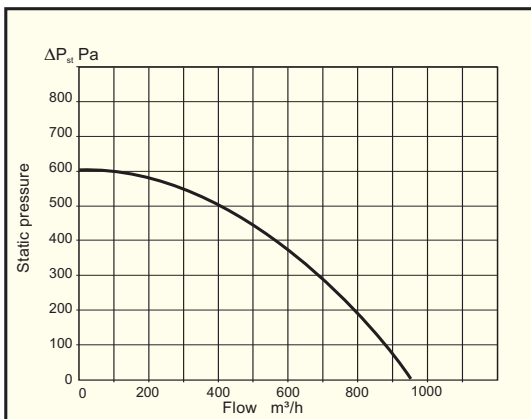


GST fans are supplied as a standard in LG design.

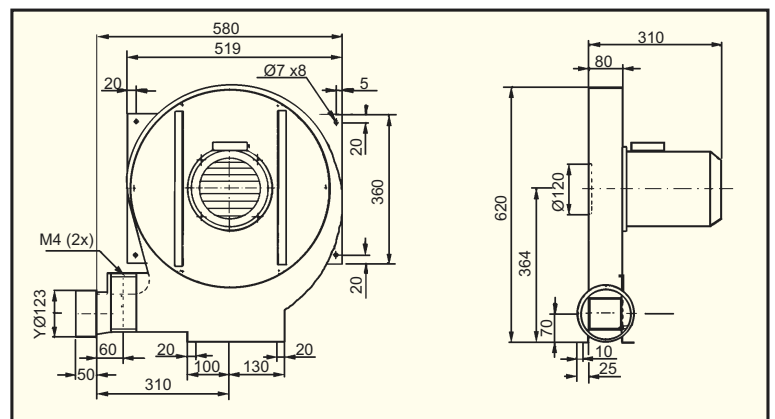
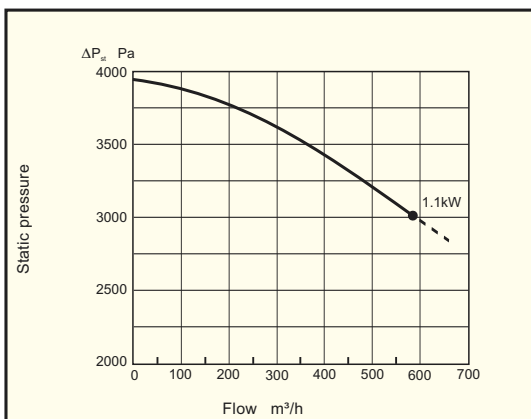
GST-2-180/00-018T



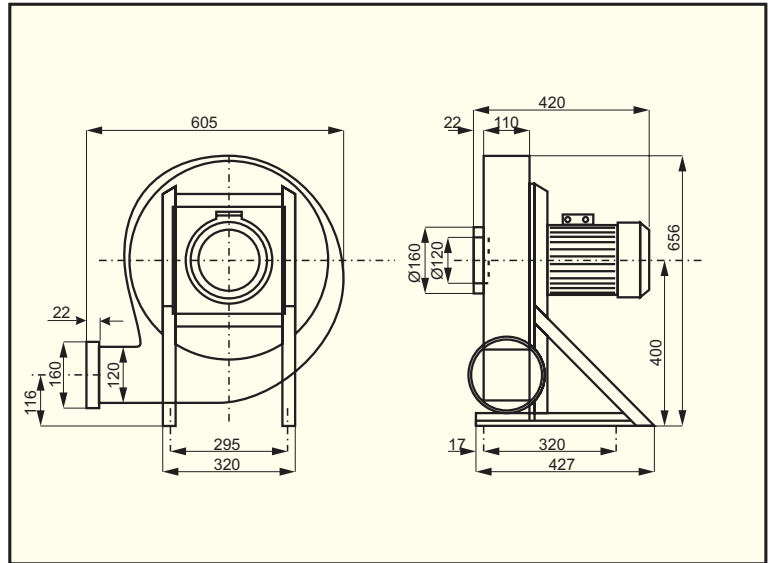
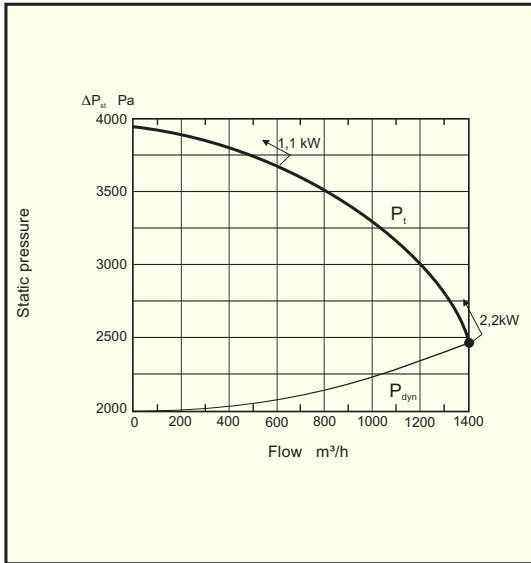
GST-2-180/75-055T



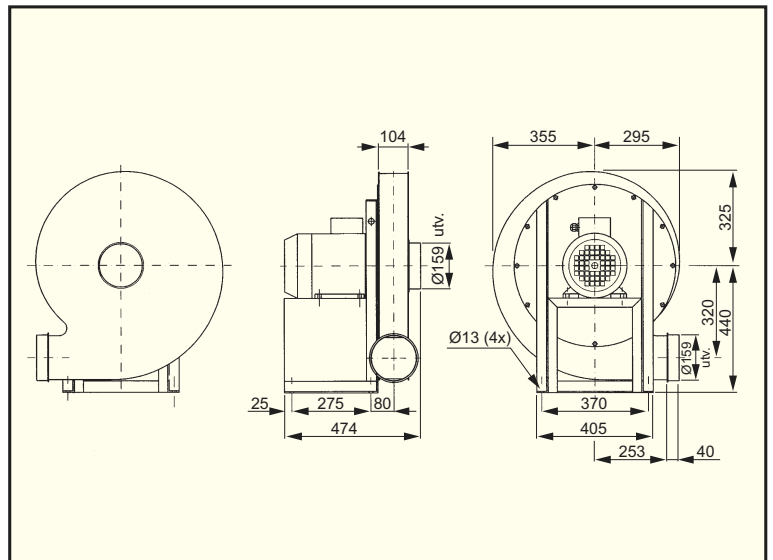
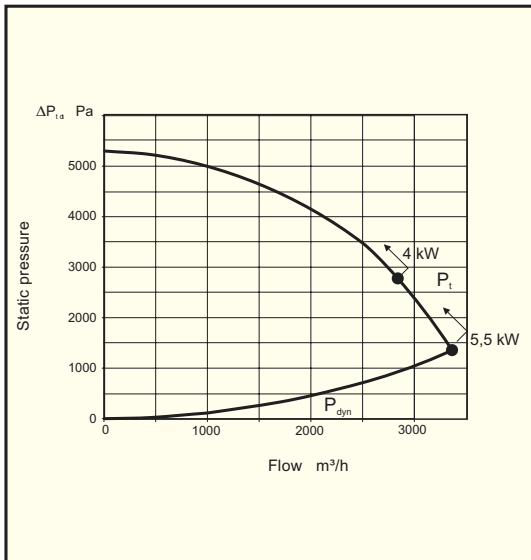
GST-2-440/55 - 110T



GST-2-440/55 - 220T



GST-2-520/40-□T



GST-2-600/40 - □T

